

CONSTRUCTING A VALVE VOLTMETER

The **Wireless**
World

MONTHLY
ONE SHILLING

*COVERING
EVERY WIRELESS INTEREST*

JANUARY, 1940



In these days of emergency

*Don't forget that your
radio receiver is more
important than ever.
Rejuvenate it with
new Osram Valves—
keep a spare set handy*

Osram Valves

MADE IN ENGLAND.

A TONIC TO ANY SET

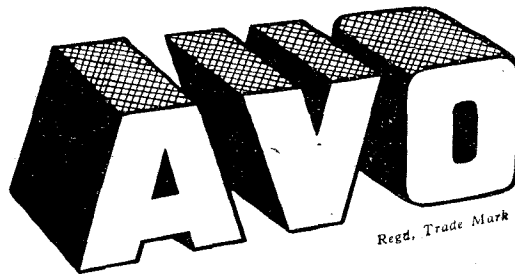
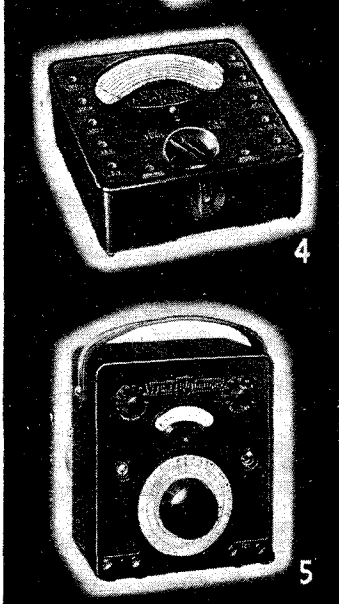
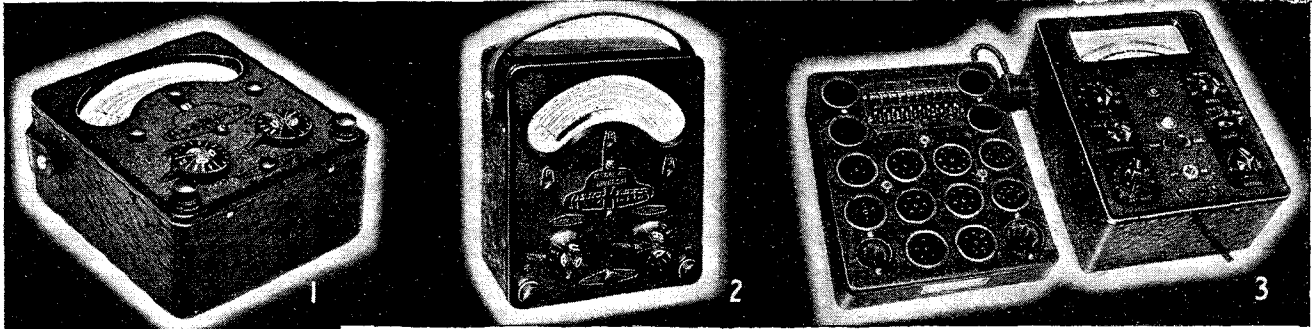
*NOTE: If you have difficulty in obtaining any particular valves,
write to the Osram Valve Dept. of:*

THE GENERAL ELECTRIC CO., LTD.,

Magnet House, Kingsway, London, W.C.2.

PRECISION METERS

that Master every Testing Problem

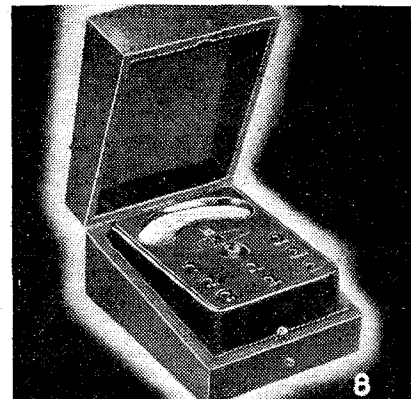


ELECTRICAL MEASURING INSTRUMENTS

BRITISH MADE

The wide-world use of "Avo" Instruments is striking testimony to their outstanding versatility, precision and reliability. In every sphere of electrical test work—laboratory, shop or out on a job—they are appreciated for their dependable accuracy, which is often used as a standard by which other instruments are judged. There is an "AVO" Instrument for every essential electrical test.

Write for fully descriptive literature dealing with any instrument in which you are interested, and for current prices.



1. 46-range Model 7 Universal Avometer.
2. 40-range Model 40 Universal Avometer.
3. "Avo" Valve Tester.
4. Universal Avometer Minor.
5. "Avo" Test Bridge.
6. "Avo" Capacity Meter.
7. All-Wave "Avo" Oscillator.
8. D.C. Avometer Minor.

Other "Avo" Instruments :

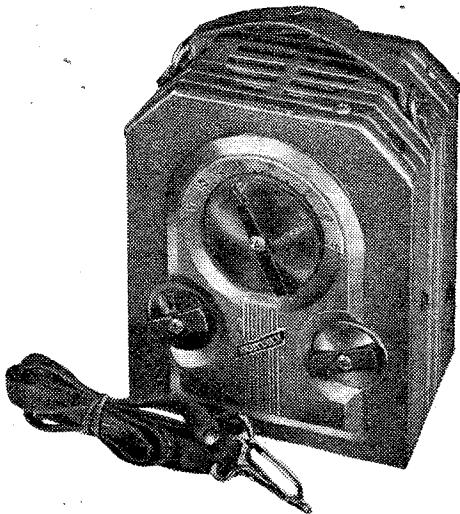
- 22-range D.C. Avometer.
- High Resistance Avometer Minor.
- "Avo" Low Resistance Ohmmeter.
- The Avodapter.
- 9-pin Avocoupler.

Sole Proprietors and Manufacturers :

THE AUTOMATIC COIL WINDER & ELECTRICAL EQUIPMENT CO., LTD., Winder House, Douglas St., London, S.W.1. Telephone: Victoria 3404/7.

THE WORLD'S SMALLEST PORTABLE RADIO

(as supplied to the B.E.F.)



THIS wonderful little set is not "just a toy." It is a complete self-contained receiver, measuring only 7in. high, weighing only 3½ lbs., and no larger than a standard gas mask container.

Despite these Lilliputian dimensions, the "Mighty Gem" requires neither aerial nor earth and yet has a range of 800 miles. Reports from all parts of the United Kingdom are highly satisfactory. All Home stations and, after dusk, upwards of 10 foreign stations are received at full entertainment value.

Power is derived from an L.T. Battery of the standard 1½ volt electric torch type having a life of 60 hours. H.T. current is provided by a super power dry battery. There is no accumulator to recharge and no danger of spilt acid. Large stocks of replacement batteries available for immediate delivery and further supplies guaranteed for 12 months.

A highly efficient 5 stage circuit is coupled to a high quality loud speaker which reproduces both speech and music with amazing clarity and fidelity at ample volume. The Mighty Gem is manufactured by one of the largest and most reputable manufacturers in the world. It is sold ready to switch on, in an attractive case covered bright red leather or brown crocodile to choice. The Mighty Gem is the ideal receiver for members of the Naval, Military and Air Forces, for use in A.R.P. shelters and for country dwellers. The Mighty Gem will operate in a car with the engine running without interference.

The MIGHTY GEM Self-contained Portable Radio

Special Waterproof carrying case 5/- extra.
Leather shoulder carrying strap 1/3 extra. **£6.6.0**
REPLACEMENT BATTERIES:
L.T. 1/6, H.T. 5/9. Complete Ready to Play

Obtainable from Stores and Radio Dealers everywhere.

Sole Distributors in U.K.:

H. H. LINTON & CO. LTD.

2, HOLBORN BUILDINGS, LONDON, E.C.1.

Telephone: Holborn 4543



Have you heard the STARTLING REALISM

of ROGERS-Majestic

'DUPLITUNE' ALL-WAVE RADIO?

R.M. "DUPLITUNE" Radio sets a new high standard of quality reproduction. By the incorporation of two exclusive features in all models, local transmissions are reproduced with a realism that, even the most critical describe as "truly startling." Ask for a demonstration.

MODELS FROM 13½ Gns. to 100 Gns.

Immediate delivery.

Fully illustrated booklet on request.

R.M. ELECTRIC LTD.
Majestic Works, Oaklands Road, London, N.W.2. Gladstone 2101

★ TWO SETS IN ONE

"Duplitune"—a new circuit which, at the turn of a switch, converts a Super-het Receiver to a straight (T.R.F.) Receiver, thereby preserving the normally lost harmonics and overtones.

★ BRADBURY CONTRAPHASE

A new method of compensated inverse feed-back, which provides a measure of accentuation of the extreme upper and lower frequencies. The result is *startling realism*.

RADIOMART

G5NI (CHAM) LTD.

THE SHORT-WAVE SPECIALISTS

WE CARRY LARGE STOCKS OF ALL TYPES OF SHORT-WAVE AND COMMUNICATION EQUIPMENT, INCLUDING AMERICAN VALVES

RADIOMART SPECIAL OFFERS! Fully shrouded Transformers by America's largest manufacturer. While they last, all 230 v. 50 cy.

T.850Y—350/350 v. 150 m/A. 4 v. 6 a., 4 v. 2.5 a.	15/-
T.28708—375/375 v. 150 m/A. 6.3 v. 5 a., 2.5 v. 5 a., 5 v. 3 a.	15/-
T.19610—350/350 v. 150 m/A. 2.5 v. 6 a., 2.5 v. 2 a., 5 v. 3 a.	12/6
T.7236—375/375 v. 150 m/A. 6.3 v. 4 a., 5 v. 3 a.	10/6
T.7006—320/320 v. 80 m/A. 6.3 v. 4 a., 5 v. 3 a.	7/6
T.6025—320/320 v. 80 m/A. 2.5 v. 6 a., 5 v. 3 a.	7/6
T.464919—10 v. 4 a., primary tapped 110-250 v.	5/6
W.379Y—440/440 v. 200 m/A. 6.3 v. 3 a. CT., 5 v. 3 a.	25/-
W.308Y—550/550 v. 200 m/A. 6.3 v. 3 a. CT., 5 v. 3 a.	25/-
T.1118AB—230 to 110 v. 500 watt auto transformer.	29/6
T.2311A—230 v. to 110 v. 100 watt auto transformer.	12/6

The following chokes are interleaved and impregnated.

T7007—250 m/A., 135 ohms, 20-8 Hy., cadmium shrouded.	12/6
T7007A—150 m/A., 250 ohms, 30-12 Hy., cadmium shrouded.	12/6
100 m/A., 20 Hy., 500 ohms, unshrouded.	4/11
60 m/A., 15 Hy., 250 ohms.	1/11

FERRANTI Meters at less than half price. 3½in. Flush Moving Coil, 10, 25, 50, 100 m/A. 16/6 each. Latest 2in. Flush Moving Coil, 10, 20, 50, 150, 250, 500 m/A., 12/6. 1m/A. 17/6. Voltmeters 1,000 ohms per volt, 10, 20, 50, 150, 250, 500 volts, 17/6. All as new.

HEAVY DUTY Mains Transformer, worth 45/-, 350/350, 150 m/A. 4 v. 2.5 a. CT 4 v. 6 a., CT, 12/6; 300/300 v., 80 m/A., 4 v. 3 a., CT, 4 v. 2 a., CT, 6/6. Moving Coil Speaker Transformers power, pentode or push pull, 1/11. WB Heavy duty d tto 2/11. 8" Energised Moving Coil 1,200 ohms with trans. 6/11.

GANG CONDENSERS with Airplane Dial, 8 and 80-1. Cost 35/-. Few only. 4/11. 1/11. 2/3. Microdials, 3/9.

PUSHBACK Wire, 6 yds., 6d., heavy, 9d., Resin-cored Solder, 6ft., 6d.; Screened Flex single, 6d. yd.; twin, 9d. yd. Assorted Solder Tags, 6d. packet. Humdimmers, 6d. each. Centralab pots, all sizes, 1/9; switched, 2/3; tubular fuses, 2d. Milliammeters, 25 m/A. upwards, 5/9.

VALVES: Reliable replacements for all types, British and American, showing saving of over 50 per cent.

OUR NEW 66-PAGE MANUAL, packed full of valuable information. Communication receivers, transmitters, etc., 7s.6d. post free.

THE NEW RADIOMART CATALOGUE shows dozens of New Short-Wave Components and is yours for 1s.6d. post free.

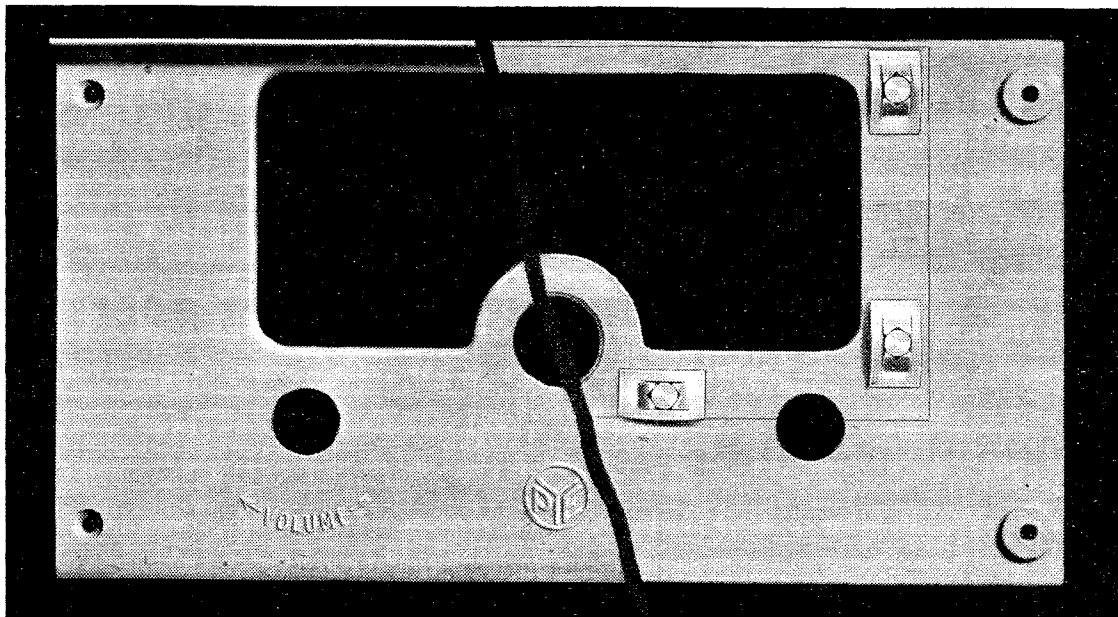
TRADE ENQUIRIES solicited for all types of communication equipment receivers, etc.

RADIOMART 44, HOLLOWAY HEAD, BIRMINGHAM

G5NI (Birmingham) Ltd.

Simmonds Speed Nuts

(PATENTS APPLIED FOR)



*Illustration shows
Simmonds SPEED
NUTS used for
fastening the scale
panel in position on
the PYE Baby "Q"
Receiver.*

*Photograph by
courtesy of
PYE LTD.*

ARE SOLVING MANY ASSEMBLY PROBLEMS IN THE WIRELESS AND ELECTRICAL INDUSTRIES

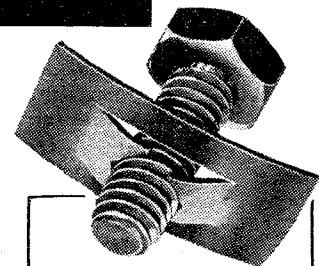
CONVENTIONAL threaded nuts and lock washers are becoming things of the past. The modern SPEED NUT system is revolutionising assembly in every industry. In the wireless and electrical world, SPEED NUTS are "zipping" up assembly and saving time and costs. They halve the number of parts handled and reduce weight.

SPEED NUTS, although so easy and quick to "zip" on, lock parts together under firm spring tension. They absorb any bolt stretch or sinking of the bolt head into a wood or soft metal surface. They are ideal for use with bakelite, glass and porcelain which must be held firmly but not under strain.

For plastic products the SPEED NUT SYSTEM is ideal, particularly in knob-to-shaft assemblies, as they cut out both the grub screw and internal spring method of fastening.

There is practically no assembly problem SPEED NUTS cannot solve.

A wide range of standard Speed Nuts is available from stock for all sizes of machine screws, sheet metal screws, rivets, and plastic studs. Special types designed to meet individual requirements.



**Wireless and Electrical
Manufacturers and Designers
are invited to investigate
this modern fastening
method. Our Development
Department will be pleased
to collaborate and work out
the most effective designs
to suit your own assembly
needs.**



SIMMONDS AEROCESSORIES LTD

GREAT WEST ROAD, LONDON.



Longleys

FOR SPECIAL SERVICES' WORK

U.H.F. RECEIVERS. For the specialised requirements of the Services' technicians and research departments Webb's have for immediate delivery a series of laboratory-built U.H.F. Receivers and precision instruments of the utmost accuracy and reliability. One or two examples are noted below and the fullest information as to the complete range will be forwarded to responsible enquirers, where necessary in strictest confidence.

NATIONAL ONE-TEN *Covers the immense field between 1 and 10 metres. Maximum sensitivity, high signal-to-noise ratio, wide frequency range. Four-valve circuit—one tuned R.F. stage, self-quenching super-regenerative detector, transformer coupled to a first stage of audio which is resistance coupled to a power output stage.*

HALLICRAFTERS 5-10 *Considered to be one of the most outstanding U.H.F. designs. Covers 68mc to 27mc (4.4 to 11.1) in two bands with an unusually high degree of sensitivity and selectivity. Price complete, £24. Special model, 27mc to 84mc, £31 ls.*

NATIONAL HRO *The outstanding high-frequency assembly for official purposes. Two preselector stages give exceptional image frequency suppression, weak signal response and high signal-to-noise ratio. Two high-gain I.F. stages with Litz-wound coils tuned with air condensers. Many unusual circuit details. 2½-volt A.C. or 6-volt battery.*

The latest addition to the HALLICRAFTERS Range is a new U.H.F. Receiver covering 50mc to 130mc. Details on request.

PRECISION INSTRUMENTS

Webb's carry full stocks of Taylor Precision Instruments. Three examples from this renowned series: **SIGNAL GENERATOR.**—Exceptionally wide all-wave range, 100 kc. to 46 mc. (6.5 to 3,000 metres). Entirely A.C. mains. Model 60, £11 11 0. **VALVE TESTER.**—Accurately checks mutual conductance of all English, American and Continental valves (from as low as 0.25 milliamps per volt and up to 24 MA/volt) as well as filament continuity, electrode shorts and cathode leakage. Seventeen holders. Model 45, £13 2 6. **UNIVERSAL METERS.**—For quick and accurate measurements of A.C. and D.C. Volts and Amps, Ohms, Capacity, Inductance and Decibels. Hand calibrated. Strongly constructed and well balanced. Model 80A (2,000 ohms per volt A.C. and D.C.). £11 11 0.

Easy Terms available. Fullest information on request.

WEBB'S LONDON

14 SOHO ST., OXFORD ST., W.1

(Open 9 a.m. to 6.0 p.m.)

Telephone: GERRARD 2089.

Emergency Branch: 58, Victoria St., St. Albans, Herts. Phone: 4924

❖ A Happy New Year ❖ to all Listeners!

It will be, of course, if you see it in with one of our new

FEEDER UNITS

driving your amplifier. Start the NEW YEAR right, and make listening in 1940 really worth-while. Just choose your model from those listed below, and let us know.

ACF 3. A Feeder Unit for A.C. operation. 5-valve 3-band unit, covering 16 to 50 m., 200 to 550 m., and 750 to 2,000 m. R.F. stage on all bands, employing a low-noise variable mu pentode; triode heptode frequency changer; single stage of iron-cored I.F. of 465 Kcs.; double-diode triode as detector/AVC/first audio stage. 2-speed slow motion drive; full vision horizontal scale, calibrated in frequencies and wavelengths. Magic-eye tuning indicator. Gram. input, if required. Total H.T. consumption (max.) 50 mA. at 250 volts. Chassis size: 9" × 9" × 3".

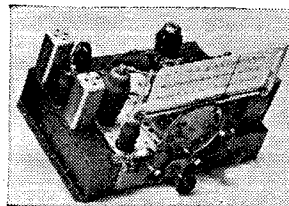
Price, complete with valves **£8.8.0**

UF 3. As above, but with 6.3 volt, .2-amp. 'E' type valves, series or parallel wired ... Price **£8.8.0**

ACF 4 & UF 4. As above, but with coverage 12 to 35 m., 30 to 80 m., 200 to 550 m., 750 to 2,000 m. Chassis size: 11½" × 9" × 3". Price **£8.18.6**

ACF 5 & UF 5. As above, but with coverage 12 to 35 m., 30 to 80 m., 73 to 200 m., 200 to 550 m., 750 to 2,000 m. Chassis size: 11½" × 9" × 3" ... Price **£9.9.0**

Battery models of the above can be supplied to order.



**JOHN MCCLURE
LIMITED (G6JM)
ERSKINE ROAD, LONDON, N.W.3
PRImrose 5435-6**

M-R. SUPPLIES

have the goods you require at the right prices.

All goods brand new and satisfaction is always guaranteed.

GRAMOPHONE PICKUPS. Now much in demand—get good ones from us. **ROTHERMEL PIEZO-CRYSTAL**, Standard 25/6, De Luxe (the finest pickup obtainable), 42/6. New Junior Model, 19/6. Heads only for Garrard or Collaro arms (please state which), 25/6 each. New High-fidelity magnetic type G.R., with col. control, 8/11. Heads for ordinary acoustic tone-arms, 4/11. Super-model, 6/6 (magneth).

BRUSH PIEZO-CRYSTAL ELEMENTS, for construction of highest-grade pickup, microphone, tweeter, cardiophones, etc. Last opportunity at under half cost, 6/11. These are 2½in. dia., fitted styli.

MINIATURE P.M. COIL UNITS, only 3in. dia. 15 ohms imp. Perfect m/coil mikes or extension speaker. Final consignment from U.S.A., 11/6 each.

GOVT. PLAQUE MICROPHONES, 2½in. dia. Fine carbon shot type with protected carbon diaphragm. Excellent response, 2/.

G.E.C. MICROPHONE TRANSFORMERS. Wonderful offer of their 35/- model, fully shielded with plug-type terminals. Suitable for all carbon and m/coil mikes, 7/6.

WHARFEDALE M/COIL MICROPHONES. 18-ohms imp. Highly sensitive with plenty of top response. 4 gns. model for 35/-.

G.E.C. LOUDSPEAKER COUPLING UNITS (List 19/6). Comprising 20 henry choke and 2 mf. condenser in neat metal case with terminals. Assists matching of extension speakers. Remarkable offer to clear, 2/11.

PANEL METERS. Accuracy guaranteed. Measure AC and DC with equal accuracy. Amperes, 0-1.5, 0-3, 0-5 or 0-10, any one 5/11. Milliampers, 0-20, 0-50 or 0-250, any one 6/11. Volts, 0-10 or 0-250, either 6/11. These are flush mounting, 2½in. dia., black finish. We have supplied hundreds to Technical Colleges, Govt. Depts., etc.

L.T. METAL RECTIFIERS (Standard). For chargers, model railways, etc. Delivery 12 volts 11 amps, 10/9.

TRANSFORMERS. Suitable for above rectifiers. Primary 200/250 v. Sec. 22 v. 2 amps., 11/6. Or sec. 7-11-15 v. 2 amps. (for 6-volt charging, etc.), 10/6. Also sec. 10 v. 7½ amp. for exciter lamps, and other duties, 18/6. Hundreds of other step-down transformers in stock—please enquire.

UNIVERSAL OUTPUT HEAVY DUTY TRANSFORMERS. Exact "W.W." specification for low-loss all-ratio matching. 11 ratios from 11/1 to 73/1 with C.T. for push-pull. Response 25 to 10,000 c/s. Weight 7½ lbs. (Usually 45/). Finest possible value, 25/6.

L.F. CHOKES, properly rated. 20 h. 100 m.a., 100 ohms D.C. res., 6/6. Also 20 h. 60 m.a., D.C. res. 50 ohms, 4/11.

BLUE-SPOT ENERGISED M/COIL SPEAKERS, 3in. dia. with transformer. Pd. res. 2,000, 3,000 and 10,000 ohms. To clear last few, 7/6 each.

ELECTRIC MOTORS. If you have D.C. mains here is an opportunity which will not be repeated. Brand new "Century" (44th H.P., 1490 r.p.m., fully enclosed, 200/240 v. D.C. (List 45)). We have 60 only available at 35/- each, nett cash, carr. for'd.

PHOTO-ELECTRIC CELLS. Brand new, boxed, Cetron CE/1. 100 microamps per lumen. 1in. diameter. A professional cell for talkie work and all light control. (Current list price 24/10/-). 35 only at 39/6 each. (Don't waste your time and money on doubtful second-hand cells.)

MORSE KEYS. Govt. pattern. Fine plated action with silver contacts. Fully adjustable, on baseboard 6in. × 3in., 8/6.

RADIO INTERFERENCE SUPPRESSORS. Twin choke and 1 × 1 m.f. condenser. Definitely eliminates all interference introduced through the house mains. Thousands sold. With diagram, 3/3.

VALVES. To clear overstocks of following types—brand new. Tungram DDT/13. Hivac DDT/215. Either, 2/11.

PUSH-BUTTON SWITCHES. Banks of 6 D.P. Switches (Yaxley Type), 2/11.

SLOW MOTION CONDENSER DRIVES. Standard ½in. socket and spindle, ratio, 7-1. Very fine action, 1/-.

IN STOCK. Large range of high-class amplifiers, gramophone motors, transformers of all ratings. Get our quotation.

M.R. SUPPLIES, 68, New Oxford St., London, W.C.1. Phone: MUS. 2958

PREMIER RADIO

- AS USUAL!

PREMIER 1940 HIGH FIDELITY AMPLIFIER KITS

Each Kit is complete with ready-drilled chassis, selected components, specially matched valves and full diagrams and instructions.

	Kit of Parts with Valves.	Completely Wired and Tested.
3-watt A.C. Amplifier	£2 6 6	£3 4 0
3-watt A.C./D.C.	£2 6 6	£3 4 0
6-watt A.C.	£6 2 6	£7 0 0
8-10-watt A.C./D.C.	£5 5 0	£6 2 6
15-watt A.C.	£6 14 0	£8 2 6

Black Crackle Steel Cabinet 15/- extra.

PREMIER SHORT-WAVE KITS for OVERSEAS NEWS.

Incorporating the Premier 3-Band S.W. Coil. 11-86 Metres without coil changing. Each Kit is complete with all components, diagrams and 2-volt valves. 3-Band S.W. 1 Valve Kit, 14/9. 3-Band S.W. 2 valve Kit, 22/6.

DE LUXE S.W. KITS

Complete to the last detail, including all Valves and coils, wiring diagrams and lucid instructions for building and working. Each Kit is supplied with a steel Chassis and Panel and uses plug-in coils to tune from 13 to 170 metres.

1 Valve Short-Wave Receiver or Adaptor Kit	20/-
1 Valve Short-Wave Superhet Converter Kit	23/-
1 Valve Short-Wave A.C. Superhet Converter Kit	26/3
2 Valve Short-Wave Receiver Kit	29/-
3 Valve Short-Wave Screen Grid and Pentode Kit	68/-

SHORT-WAVE CONDENSERS

Trolitul insulation. Certified superior to ceramic. All-brass construction. Easily ganged.

15 m.mfd. ...	1/9	100 m.mfd. ...	2/3
25 m.mfd. ...	2/-	160 m.mfd. ...	2/6
40 m.mfd. ...	2/-	250 m.mfd. ...	2/11

PREMIER S.W. H.F. Chokes, 10-100 metres, 9d. each. Pie-wound. 1/6 each. Screened, 1/6 each. **SHORT-WAVE COILS**, 4- and 6-pin types, 13-26, 22-47, 41-94, 78-170 metres, 2/- each, with circuit. Premier 3-band S.W. coil, 11-25, 19-43, 38-86 metres. Suitable any type circuit, 2/11.

UTILITY Micro Cursor Dials, Direct and 100 : 1 Ratios, 4/3.

PREMIER MORSE KEYS. Smooth action, 3/3.

U.S.A. MAINS TRANSFORMERS

at less than pre-war prices.

Input 110 v. + 220 v. A.C. Output 325-325 v. 120 mA. 5 v. 2 amps. C.T. 6.3 v. 2-3 amps.	7/6 EACH
Input 230 v. A.C. Output 325-325 v. 75 mA. 5 v. 2 amps. 6.3 v. 2-3 amps. C.T.	6/6 EACH
Input 100-250 v. A.C. Output 300-300 v. 80 mA. 4 v. 5 amps. C.T. 4 v. 1 amp.	6/11 EACH

PREMIER 1940

"5 v. 5" COMMUNICATIONS RECEIVER

A 5-valve Superhet, covering 12-2,000 metres in 5 wave bands.

- Beat Frequency Oscillator
- 2-Spread Band-Spread Control
- A.V.C. Switch
- Illuminated Band-Spread Dial
- Send-Receive Switch
- Iron-Cored IF's
- Phone Jack
- Over 4-Watts Output

Provision for single wire or Di-pole Aerial. International Octal Valves for 200-250 v. mains (A.C.). Built into Black Crackle Steel Case providing complete screening, 10 1/2 in. Moving Coil Speaker in separate steel cabinet to match.

Receiver, Complete with all tubes and Speaker **£9 9 0**

PREMIER BATTERY CHARGERS

for A.C. Mains.

Westinghouse Rectification complete and ready for use.

To Charge :

2 volts at 1/2 amp.	11/9
6 volts at 1/2 amp.	19/-
6 volts at 1 amp.	22/6
12 volts at 1 amp.	24/5
6 volts at 2 amps.	37/6

PREMIER MICROPHONES

Transverse Current Mike. High grade large output unit. Response 45-7,500 cycles. Low hiss level. 23/-.

Moving Coil Mike. Permanent magnet model requiring no energising. Response 90-5,200 cycles. Output .25 volts average. Excellent reproduction of speech and music. 48/-.

Microphone Transformers. Suitable for all mikes. Tapped secondaries. A, 20 and 40 : 1 ; B, 30 and 60 : 1. 6/6 each.

Microphone Stands. Bakelite table stand, 9in. ring, 7/6 each.

Adjustable Floor Stand. 8in. ring. Chrome finish. 26/6.

Moving Coil Speakers. All complete with transformer. Rola 8in. P.M.s, 16/6 ; 10in. P.M.s, 22/6 ; G.12 P.M.s, 66/-.

Energised Models. Plesky 8in., 2,500 or 7,500 ohm field, 7/6 ; G.12 energised, 59/6.

Special Purchase of

"AIR WARDEN"

5-VALVE MIDGET RECEIVERS
for 200-250 v. A.C. Mains

Completely self-contained in highly polished wood cabinet 12 x 9 1/2 x 9 ins. with built-in Moving Coil Speaker.

Wave range 190-550 metres,
Usual Price. £6-6-0.

OUR PRICE 55/-

The Ideal "Stand-by" Receiver.

REPLACEMENT VALVES FOR ALL SETS

EUROPA MAINS VALVES. 4 v. A.C. Types A.C./H.L., A.C./L., A.C./S.G., A.C./V.M.S.G., A.C./H.P., A.C./V.H.P., A.C.P., all 5/3 each. A.C./H.P., A.C./V.H.P., 7 pin, 7/6. A.C./Pens, I.H., 7/6 ; A.C./P.X.4, 7/3 ; Oct. Freq. Changers, 8/6 ; Double Diode Triodes, 7/6 ; 3 1/2-watt D.H. Triode, 7/6. 350 v. and 500 v. F.W. Rect., 5/6. 13 v. 2 amps. Gen. Purpose Triodes, 5/6 ; H.F. Pens. and Var.-Mu. H.F. Pen., Double Diode Triodes, Oct. Freq. Changers, 7/6 each. Full and Half-wave Rectifiers, 6/6 each.

TRIAD U.S.A. VALVES.

We hold the largest stocks of U.S.A. tubes in this country and are sole British Distributors for TRIAD High-grade American Valves. All types in stock. Standard types, 5/6 each. All the new Octal Base tubes at 6/6 each. 210 and 250, 8/6 each.

CLEARANCE LINE U.S.A. VALVES.

U.S.A. Types, 24, 30, 35/51, 55, 56, 57, 58, 71, 85, 2A5, 2A6, 2A7, 2B7, 6A7, 210, 250, all 2 for 3/-.

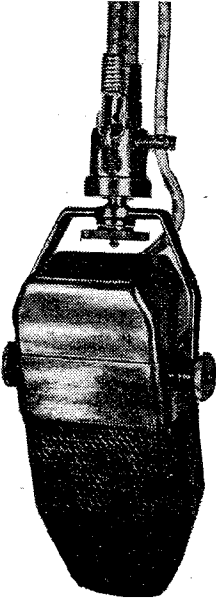
YOU MUST HAVE OUR GIANT 1940 ILLUSTRATED CATALOGUE AND VALVE MANUAL ——— OVER 100 PAGES. PRICE **6d.**

PREMIER RADIO CO.

ALL POST ORDERS to: JUBILEE WORKS, 167, LOWER GLAPTON ROAD, LONDON, E.5 (Amherst 4723).
CALLERS to: Jubilee Works, or 169, Fleet Street, E.C.4 (Central 2833) or 50, High Street, Clapham, S.W.4 (Macaulay 2381).

Read what the experts say

World Affairs
 The Front-Bench View
 The Man-in-the-Street's Opinion
 The Empire View
 Reminiscences
 In Your Garden
 Art
 New Films



Life at Home
 Life in Other Countries
 Travel Talks
 Religion
 Broadcast Talks
 Broadcast Music & Drama
 The News in Pictures
 New Books

The broadcast word remains in

THE LISTENER

Ask your newsagent to deliver it

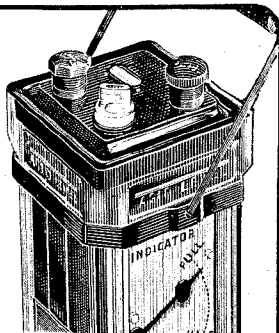
EVERY THURSDAY, PRICE 3D.



WHATEVER circumstances should arise news and programmes are always available on a portable battery set. It has its own power supply and can be used in the Air Raid Shelter, the kitchen, the bedroom—in fact wherever you care to take it.

AMPLE WARNING

Your set will never let you down without warning at awkward moments if you fit Exide and Drydex. The Exide L.T. Accumulator has an indicator which clearly tells you when to re-charge. Drydex is the ideal H.T. Battery to use with Exide, for Drydex lasts so long and fades so very slowly.

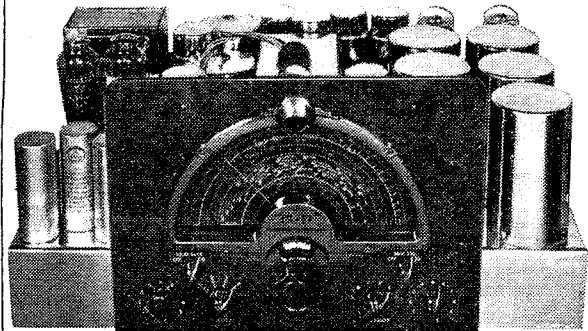


RADIO ACCUMULATORS AND DRY BATTERIES

‘Still keep going when the rest have stopped’

The Chloride Electrical Storage Co. Ltd. (Exide and Drydex Batteries), Exide Works, Clifton Junction, near Manchester. Also at London, Manchester, Birmingham, Bristol, Glasgow, and Belfast.

**McMURDO
SILVER
RADIO**



THE 15/17 CHASSIS

Now that real quality reception has been rendered impossible, a fascinating alternative can be found in “globe trotting” with a really hot receiver. In addition to this it is possible to obtain, under favourable conditions, very good quality indeed from some of the S.W. transmissions. It is necessary, however, to have a receiver with a superlative S.W. performance, and at the same time capable of really good reproduction.



Such a receiver is the McMurdo Silver 15/17 with its sensitivity of better than one microvolt absolute, and output of 15 watts, with less than 2% total harmonic distortion, feeding into a 12" speaker.



Have you heard the 10m Hams lately? Or the American high fidelity stations on 26mc/s? These are coming through very well just now.



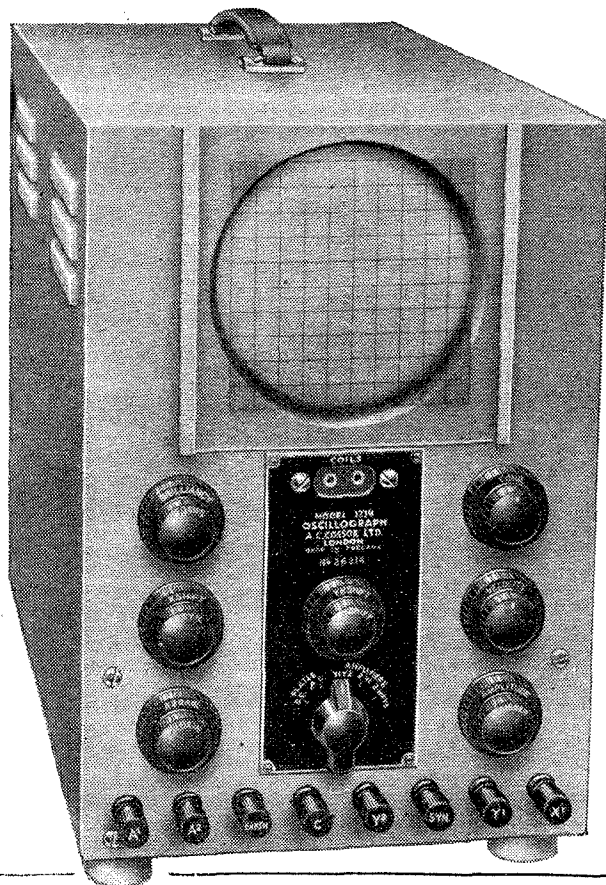
May we send you full technical details and illustrations of the various models?

**The ERSKINE
LABORATORIES Ltd**
PROSPECT WORKS, NORTH ST.
SCALBY, SCARBOROUGH

COSSOR

MODEL 3339
HIGH VACUUM DOUBLE BEAM

OSCILLOGRAPH



THIS new Cossor Oscillograph is, irrespective of price, the most comprehensive instrument of its type so far produced, and possesses the widest field of application of any commercial oscillograph at present available. It has been produced to make the greatest use possible, with present-day technique, of the distinctive features and advantages of the Cathode-Ray Tube in an inexpensive self-contained unit. The use of the Double-Beam Tube provides a great increase in the scope and versatility of the instrument without affecting its use as a conventional (Single Beam) oscillograph. This is made possible through the unique advantage of interchangeability possessed by Cossor Single- and Double-Beam Tubes.

The Cossor Double-Beam Oscillograph provides the complete solution of the problem of simultaneous investigation of two independent phenomena on a common time axis. It is superior to the electronic switch method usually employed, not only technically by reason of the absence of phase delay and frequency limit, but also on the score of simplicity and cost, as no additional apparatus is required.

The instrument uses the original Cossor hard valve linear Time Base, the frequency range of which extends to beyond 200,000 cycles, and provides positive synchronisation. The two amplifier valves used may be arranged to operate either independently on each Y plate, or in cascade with either a high gain (4,000) or a wide band-width (2,500,000 c.p.s.) on one Y plate. In this latter case the performance more than covers the full video frequency range requirements of television. Amongst numerous other features may be mentioned the frequency compensated amplifier gain control, automatic brilliancy control of the trace at higher Time Base speeds, Time Base flyback black-out, deflector coils, the provision of a calibration voltage, double mu-metal magnetic shielding and tandem controls.

PRICE

£30

★ . . . Full details of the COMPLETE RANGE of COSSOR CATHODE-RAY TUBES, MAGNETIC and ELECTROSTATIC TYPES, including the unique DOUBLE-BEAM TUBE as used in the above instrument, will be sent FREE on application.

A. C. COSSOR LTD., Instrument Dept., Highbury Grove, London, N.5

GA8505

The Wireless World

COVERING EVERY WIRELESS INTEREST

29th Year of Publication

Proprietors : ILIFFE & SONS LTD.

Editor :
HUGH S. POCOCK.

Editorial,
Advertising and Publishing Offices :
DORSET HOUSE, STAMFORD STREET,
LONDON, S.E.1.

Telephone : Waterloo 3333 (50 lines).
Telegrams : "Ethaworld, Sedist, London."

COVENTRY : 8-10, Corporation Street.
Telegrams : "Autocar, Coventry." Telephone : 5210 Coventry.

BIRMINGHAM :
Guildhall Buildings, Navigation Street, 2.
Telegrams : "Autopress, Birmingham." Telephone : 2971 Midland (5 lines).

MANCHESTER : 260, Deansgate, 3.
Telegrams : "Iliffe, Manchester." Telephone : Blackfriars 4412 (4 lines).

GLASGOW : 26B, Renfield Street, C.2.
Telegrams : "Iliffe, Glasgow." Telephone : Central 4857.

PUBLISHED MONTHLY.
Price : One Shilling
(Publication date 20th of preceding month.)

Subscription Rates :
Home and Abroad, 14/- per annum.

As many of the circuits and apparatus described in these pages are covered by patents, readers are advised, before making use of them, to satisfy themselves that they would not be infringing patents.

No. 1051

VOL. XLVI. No. 3

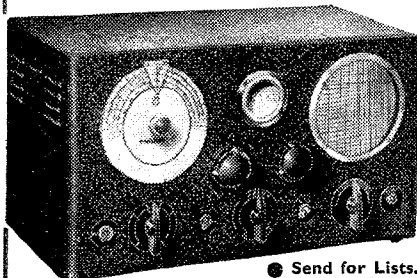
JANUARY 1940

Contents

EDITORIAL COMMENT	81
PROBE VALVE VOLTMETER. By Humfrey Andrewes and F. A. Lowe	83
CIVIL WIRELESS SCHOOLS. By "Sentinel"	87
AMPLIFICATION BY IMPACT	89
ECONOMISING IN HT CONSUMPTION	91
PROBLEM CORNER	91
SMOOTH REACTION	92
H.M.V. MODEL 1200: Test Report	96
CURRENT TOPICS	98
NEW IDEAS	101
UNBIASED. By Free Grid	103
THE EMPIRE MARKET	104
LETTERS TO THE EDITOR	105
CATHODE BY-PASS CONDENSERS. By W. T. Cocking	107
AIMING AERIALS. By "Cathode Ray"	109
B.B.C. OVERSEA SERVICE	112
KDKA'S ANNIVERSARY	113
RANDOM RADIATIONS. By "Diallist"	114
"MIGHTY GEM" PORTABLE: Test Report	116
RECENT INVENTIONS	117

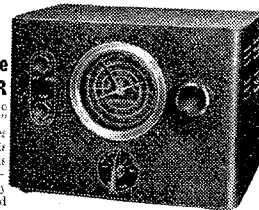
RADIO ROYAL INSTALL TROPHYS!

SET EVERYONE NEEDS for much more than ORDINARY BROADCASTS



Send for Lists.

EUROPE'S largest press listening post relies on TROPHY 8's for the world's news, opinions, short-wave and B.B.C. broadcasts. We have not illustrated the TROPHY 8 this month but this 8-valve A.C. Communication Receiver, with RF on all bands and a continuous wave-range of 7 to 550 metres, is an excellent Radio investment at £13.17.3; Matched P.M. Cabinet Speaker costs only 46/3 extra and provides a combination exactly the same as used at RADIO ROYAL TROPHY 6 (illustrated). A junior A.C. Communication-type 6-valve Receiver recommended with equal confidence. Electrical band-spreading and other refinements. Built-in Speaker, Phone Jack. Ready for use on all A.C. supplies, 200/250 v. 40-100 cycles. **£10.19.6**
FULLY GUARANTEED. TERMS AVAILABLE.
All British. From all good Dealers.



New 2-Stage R.F. AMPLIFIER

Of special appeal to "The Wireless World" reader who appreciates the shortcomings of his existing receiver. This new PRESELECTOR— for use in front of any set — ensures increased range, volume, selectivity and sensitivity and appreciable image suppression. Tuning is provided with a continuous coverage of 7 to 250 metres. Employs two "B" type R.F. pentodes with built-in power-pak for all A.C. 200/250 v. 40-100 cycle supplies. Fully guaranteed. **£7.8.6**

PETO SCOTT CO. LTD., 77, (WM3) City Road, London, E.C.1. Tel.: Clissold 9875.
41, High Holborn, W.C.1. Tel.: Holborn 3248.

WEST END LONDON demonstrations—call at R. E. M. LTD., 70, Wigmore St.



UP IN THE CLOUDS MAYBE—BUT THEY MEAN BUSINESS

Maybe we're up in the clouds ourselves sometimes. Even idealistic, if you like, about our trading principles and our loyalty to those with whom we do business. But we cannot help feeling, as we look back on our many happy associations with some of the most important concerns in the country, that no one has lost by our upholding those principles. We're idealistic, yes ; but when it comes to doing a job we can safely say—"we mean business".

DUBILIER



DUBILIER CONDENSER CO. (1925) LTD., DUCON WORKS, VICTORIA ROAD, NORTH ACTON, LONDON, W.3.

C. R. Casson 1937

The Wireless World

COVERING EVERY
WIRELESS INTEREST

ESTABLISHED
1911

No. 1051. Vol. XLVI. No. 3

JANUARY 1940

Price One Shilling

Editorial Comment

Sets for Active Service

IN last month's issue we pleaded that thought should be given to the production of suitable broadcast receivers for the use of members of the Forces on active service. Although the typical portable set may be convenient enough for units, it is often too heavy and bulky for small groups, and almost always out of the question for individuals, especially for those who are so situated that they stand most in need of broadcasting for entertainment, relaxation and information. For these, few if any of the standardised productions of the British industry are really practicable; as one of our querists put it, when writing from France for information on suitable apparatus, "the ordinary portable would be no more use to me here than a 100-guinea radio-gramophone."

Great interest has been shown in this question of "the soldier's set," and, in response to our invitation, a number of readers have put forward views on the features that it should possess. Several of their letters are printed in the present issue, and a consideration of the correspondence would suggest that at least two distinct types of receiver are needed; one for the larger unit or group, and another smaller set for the individual or small group.

As one of our correspondents, writing in the light of experience gained in 1914-1918, points out, transport of a receiver can generally be "wangled" by a unit, though not by the ordinary individual; this is put forward as an argument in favour of the loud-speaker set, serving a number of listeners. Another correspondent, with a similar idea in mind, suggests a two-unit construction, with the second unit in the form of an amplifier-speaker for community listening. It seems to be generally agreed that a simple and robust battery-fed receiver covering the medium waveband only, and with a

straightforward three-valve TRF circuit, would be the most suitable.

Turning to the lightweight individual receiver, the problem of reducing weight and bulk to the necessary extent would seem to be much more difficult than in the case of the "group" set. Headphones and dry-cell valves are agreed to be essential features, and ideas as to the best circuit seem to be limited to the standard RF-det-AF three-valve arrangement or to the simple regenerative detector, with or without AF amplification. As so much emphasis is laid on the need for extreme compactness and lightness, the simpler type of set would seem to be more promising, especially bearing in mind the practical limitations imposed on designers

Valves for "Pocket" Sets

Valves comprise one of these limitations, as there is at present little choice of British "miniature" types. An example of what can be done with suitable valves is given in our review this month of a receiver of American origin which in many respects provides an answer to the present demand. Even this receiver, compact and light as it is, does not represent ultimate possibilities; according to an announcement appearing elsewhere in this issue, an American manufacturer is about to produce still smaller valves, designed specifically for ultra-lightweight portables, for which a good performance is claimed with a 45-volt high-tension supply. With such valves as these there is no need to content oneself with crude regenerative detector sets.

Whatever circuit arrangements are decided upon for active service broadcast receivers, there is an argument for some degree of standardisation; as a correspondent points out, it would be a great advan-

tage if replacement batteries and valves were to be made available through the N.A.A.F.I. That institution could hardly be expected to carry in stock a number of different types.

Illicit Transmitters

Post Office Precautions

THREE orders made under the Defence Regulations will enable the Postmaster-General to exercise more effective control than hitherto over wireless transmission in and from this country. Very little publicity has been given to these Orders, but their provisions are so wide that a large number of our readers are likely to be affected; all should make themselves familiar with the salient points which are summarised elsewhere in this issue.

Perhaps the most important clauses are those relating to the acquisition or supply of certain apparatus capable of use in a transmitter. Without a permit no one may "sell, purchase, let, hire, supply, dispose of, acquire or distribute" any of the apparatus enumerated.

Of the various items coming under this ban, the inclusion of "electronic valves capable of an anode dissipation exceeding 10 watts" has provoked most criticism and discussion. At first sight this would seem to apply even to the 350-0-350-volt power rectifying valves used in so many standard broadcast receivers. But, although these rectifiers actually dissipate over 10 watts, we understand that they are not considered as valves for the purpose of the Order. However, many output valves of the type used in quite modest sets do come within the scope of the Order, and so it is now forbidden either to buy or sell replacements without a permit.

Other items in the list do not call for special comment, although the inclusion of "spark coils, quenched and rotary spark gaps" may raise a smile. It is good to see that there is no mention of morse keys, and so no obstacle is placed in the way of those of our readers who are trying to increase their usefulness by learning the code.

The foregoing remarks, it should be emphasised, apply only to the "acquisition and supply" order, which presumably does not affect those who already have in their possession any of the items enumerated. Another Order forbids the *possession*, without a written permit, of any kind of wireless transmitter, transmitter-receiver, or "components capable of being assembled to form such a wireless transmitter." This last presumably refers to complete sets of parts, and so will not affect amateur transmitters who have already surrendered vital components. Former transmitting amateurs, and those who, but for the outbreak of war, were intending to apply for a licence, may well find that they are in possession

of sufficient apparatus for the assembly of a complete transmitter. Those who are in this position should lose no time in applying for a permit or else surrender the apparatus.

It is clear that the Orders to which we have referred will place additional obstacles in the way of the illicit transmitter, and so all wireless men will cheerfully face the slight inconvenience caused by their operation. While on the subject, we may perhaps point out that those readers who think they have heard suspicious transmissions should communicate with the Post Office authorities—and not with us, as some of them have done. Some of the transmissions reported are, within our knowledge, quite legitimate ones, and those who are not quite sure of their ground are less likely to waste the time of the authorities if they confine their reports to suspicious signals which appear to emanate from their immediate neighbourhood.

Wireless Men on Service

An Appeal for Comforts

ALL our readers will naturally be favourably disposed towards an appeal issued by the Royal Signals Comforts Fund, as the Corps on behalf of which it is made includes a large proportion of wireless men. At the instigation of the representative Colonel Commandant, Brigadier H. Clementi Smith, a central committee has been formed for the purpose of collecting goods and distributing them.

The subscription list has been headed by a most generous donation from H.R.H. the Princess Royal. Donations in cash, or gifts of helmets, mittens, scarves, magazines, etc., will be gratefully received by the Hon. Secretary and Treasurer, Royal Signals Comforts Fund, at 95 Belgrave Road, S.W.1. Parcels marked "Comforts Fund" may also be delivered before noon each day at the following addresses: 1, Laverton Place, Courtfields Gardens, London, S.W.5, and 18, Trevor Place, London, S.W.1.

Commercialising SW Broadcasting

A Regrettable Change

MANY of those who are regular listeners to the American short-wave stations will deplore the decision by one of the great networks to commercialise its international service by including advertisements in the programmes.

In her position as a powerful neutral nation, America has special opportunities for rendering service to the world, and her short-wave broadcasters have risen nobly to the occasion. But constant reminders that their motives are not entirely altruistic may tend to lessen the feelings of gratitude at present entertained towards them.

Probe Valve Voltmeter

DESIGN OF A COMPREHENSIVE BUT SIMPLE TEST INSTRUMENT

By HUMFREY ANDREWES AND F. A. LOWE

TO the service engineer or serious experimenter a voltmeter is a very necessary and useful instrument. Many problems can often be solved much more quickly and with far less mental effort if the voltages in a radio receiver can be easily ascertained. But it is, of course, essential that the accuracy of the voltmeter should be reasonably good, and that it should be mechanically and electrically robust, and easy to handle. Most important of all, however, is that its connection to the points across which the voltage is to be measured should not appreciably alter working conditions.

The misleading results given by the use of a relatively low-resistance voltmeter to measure the anode voltage of a valve in which the total anode resistance is high is a matter of common knowledge. It forms, however, a typical example of the necessity of making sure that the instrument used is suitable for the measurements to be made. With the ordinary DC and AC voltmeters available in most service departments, only a limited number of tests can be made. Usually, the receiver under test must be treated as a whole, and individual measurements on the gain of the different parts are difficult, if not impossible, to obtain. This means that it is sometimes difficult to isolate the gain of the IF from that of the RF or even the AF amplifier. Under such conditions loss in the sensitivity of a receiver may take some considerable time to trace.

In the issue of *The Wireless World* for May 4th, 1939, the authors described, under the title of "A Cheap Valve Voltmeter," an instrument which was simple and inexpensive to make, and had many uses. The impedance of this meter was, however, rather low on the low voltage ranges, and could not be used for many tests on a modern radio receiver. Where, for example,

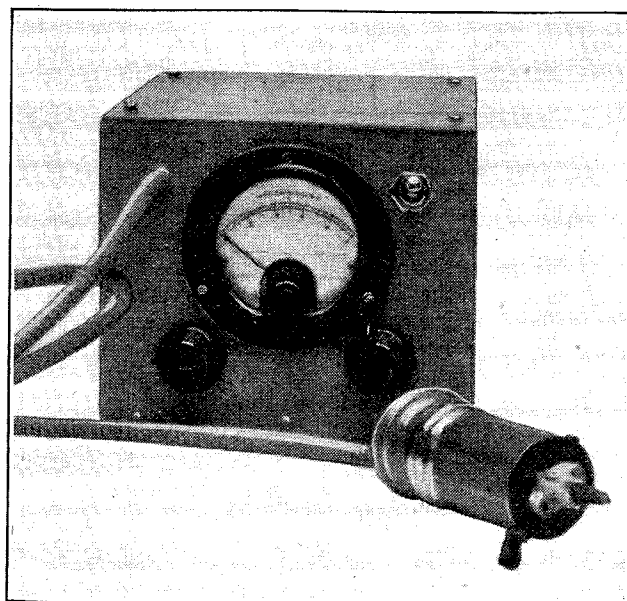
it is desired to check the gain of the RF or IF amplifiers, check the alignment of band pass circuits, or measure the input to the first AF stage, a really high impedance meter is essential so that the circuit may not be disturbed by the introduction of the measuring instrument. Again, for most of such measurements, not only must the input impedance be high over the audio frequency range, but also, nowadays, at the ultra high frequencies used for television. Where such a meter is used for measurements on the radio frequency circuits in a receiver, even if the DC resistance of the input circuit is high, the shunt capacity across the input terminals must also be low. Long leads from the instrument to the receiver may also cause trouble, as they will increase the shunt capacity and may also cause instability in the receiver.

With a view to overcoming some of the difficulties encountered with the "Cheap Valve Voltmeter" referred to above, the authors have designed the voltmeter to be described below. In the design the following points were kept in mind. In the first place the input impedance was to be of the order of six megohms. In the second place it was thought desirable to make the voltmeter a direct reading one, if possible, using as an indicating instrument a 0-1 mA DC meter. To obtain a reasonably linear scale a diode circuit was selected. Thirdly, it was desired to obtain a full-scale deflection with an input of 1 volt RMS, the sensitivity being artificially reduced when

greater inputs were to be dealt with.

If, however, a diode alone is used, it is obvious that the conditions are impossible. The difficulty might have been overcome by using a very sensitive galvanometer instead of a 0-1 mA meter, but such instruments are very expensive and not mechanically very robust. It

In this article is described a valve voltmeter which can be built without a great deal of trouble. It includes the novel feature that the rectifying valve is built into an electric torch case, and attached to the main instrument by a multi-wire flex; the actual valve is thus able to be used as a probe when taking voltage readings, the disadvantages of trailing grid leads being avoided.



The completed valve voltmeter.

Probe Valve Voltmeter—

was therefore decided to employ a triode as a DC amplifier after the diode circuit, and a simplified form of the circuit is shown in Fig. 1. The AC voltage to be measured is applied across the resistance R_1 , which

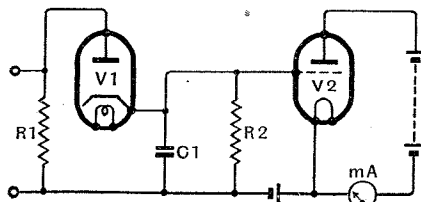


Fig. 1.—The fundamental circuit of the meter.

is about six megohms. The diode V_1 rectifies the AC voltage, and a DC voltage is produced across the condenser C_1 . The triode V_2 is biased to a suitable point on its characteristic, so that the positive potential across C_1 causes a rise in the anode current of V_2 without causing grid current to flow. The grid leak R_2 is also about six megohms, and completes the DC circuit of the diode. We now have a circuit of high impedance input in which the rise in anode current of V_2 is proportional to the AC voltage applied to R_1 . If we then choose a suitable valve for V_2 and work it on the straight portion of its curve, a reasonably linear scale will be obtained.

Let us now consider the practical application of such a circuit under the conditions laid down above. In the first place, we want to use a 0.1 mA meter to measure the change in anode current of the valve V_2 , and, if possible, arrange so that a 1 mA reading represents 1 volt RMS applied to the terminals of our voltmeter. If the valve V_2 were biased practically to cut off, and its characteristics were such that a 1 mA rise in anode current was obtained, we should be working it on a very non-linear portion of its curve. If, however, we work farther up the curve at, say, 2 mA, and then balance out the standing anode current through the meter, so that it only reads the *change* in anode current, we get a far more satisfactory arrangement. Such a circuit is shown in Fig. 2. To adjust the milliammeter to zero, the current through R_3 with no AC voltage applied must equal the steady anode current. This may be done in two ways. Either R_3 must be made variable, or, as was found better in practice, the grid potential must be made variable so that, after finding a suitable value for R_3 (about 750 ohms), the anode current is always the same when the milliammeter reads zero.

Such a circuit was, therefore, tried out experimentally, and it was found possible by careful adjustment of the circuit values to obtain a 1 mA change in anode current of the valve V_2 for 1 volt RMS applied across R_1 . The valves chosen were, for V_1 a Mazda television diode type D1, and for V_2 a Marconi type LP2. It is necessary to use a triode having a high mutual conductance, and a number of different types were tried out before the required sensitivity was obtained. Unfortun-

nately, the scale is not perfectly linear, due presumably to the slight curvature of the valve characteristic. It will be seen, however, from the calibration curves given later, that the error is not very great, and that over at least the upper portion of the scale of the milliammeter the readings may be taken direct to within 10 per cent.

Practical Points of Design

As the diode heater voltage is four and the triode two, it is convenient to use two 2-volt cells in series, and utilise one of these for the negative bias on the triode. One other point may perhaps be mentioned at this stage. It is well known that with a diode circuit of this type without any AC voltage applied across the resistance R_1 , a small current will flow round the circuit through R_1 and R_2 due to the space charge in the diode. This current will produce a small positive potential across R_2 , and necessitates a slight increase in the setting of the grid bias potentiometer to obtain the correct negative bias on the grid of V_2 .

We now have a meter having a range of 0.1 volt AC, and must consider the question of extending the range of the meter. The DC potential developed across R_2 is proportional to the AC voltage applied to the resistance R_1 , and it follows, therefore, that if R_2 is made into a potentiometer, as in Fig. 3, any AC voltage reading can be obtained up to the maximum safe AC voltage which may be applied to the diode, which in this case is about 200 volts.

We thus arrive at the complete design, the circuit of which is shown in Fig. 4. In order to obtain the advantage of the use of the D1 diode, which was, of course, primarily designed for television purposes, and has, therefore, a very

low self capacity, the meter is divided into two parts. The diode and its associated components were mounted in a metal cylinder, on the top of which was a well-insulated terminal. An earth terminal was mounted on the side of the cylinder

so that the earth connection might also be made as short as possible. The triode, milliammeter and other components were mounted in a separate metal box, and the two units connected together by a length of flexible metal tubing. In this way it is possible to connect the voltmeter to the circuit, at the point where the voltage is to be measured, with extremely short leads. The general

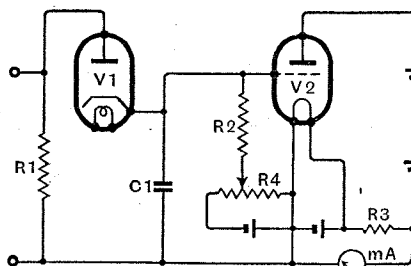


Fig. 2.—By balancing out the standing anode current as shown here, it is possible to work on a more favourable part of the valve characteristic.

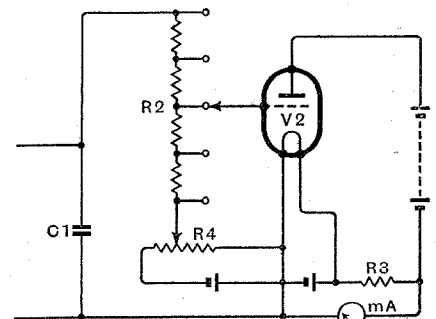


Fig. 3.—Different voltage ranges are obtained by adjusting the potential divider R_2 .

Probe Valve Voltmeter—

view of the voltmeter constructed by the authors is shown on page 83. A second view showing the meter connected to a commercial radio chassis illustrates the advantage of the flexible tube and diode "head." This type of instrument has sometimes been called a "goose-neck" or a "probe" voltmeter for obvious reasons.

In designing an instrument of this type it is obvious that individual requirements will

was as short as possible. When the voltmeter is used for very high-frequency measurements the case may be removed to reduce the self capacity, and a connection taken direct to the anode of the diode. Two condensers are connected between the cathode of the diode and earth, one being a 0.1 mfd. and the other in parallel with it being a 0.0005 mfd. ceramic for use on very high frequencies.

As the condensers C1 and C2 are mounted in the diode head, the leads in the metal tube only carry DC potentials, and so no special care need be

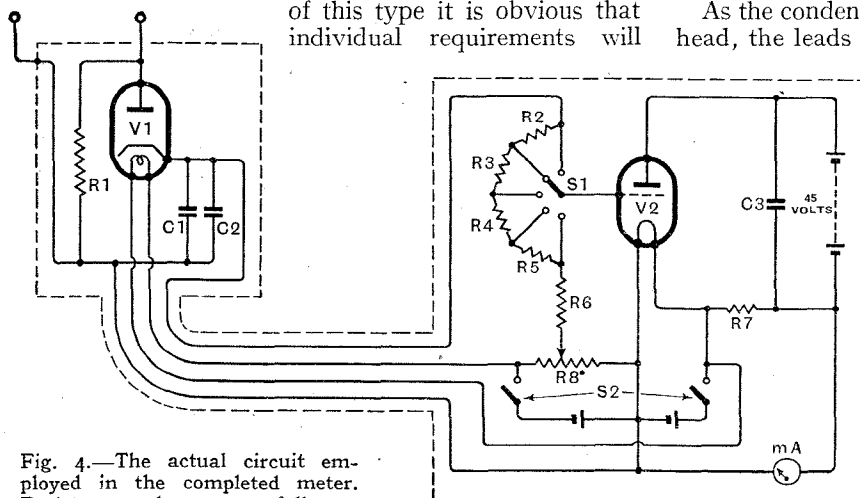


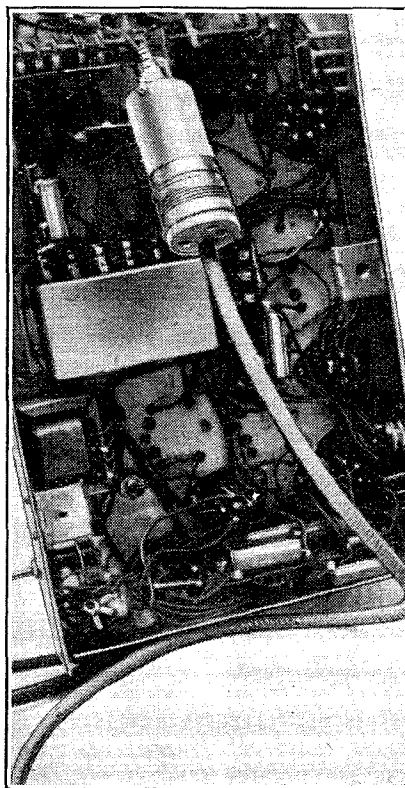
Fig. 4.—The actual circuit employed in the completed meter. Resistance values are as follows: R1, 6 megohms, $\frac{1}{4}$ watt type; R2, 5 megohms (2 megohms in series with 3 megohms); R3, 0.6 megohm (0.1 megohm in series with 0.5 megohm); R4, 0.3 megohm (0.5 megohm with 2 megohms in parallel); R5, 70,000 ohms (50,000 ohms in series with 20,000 ohms); R6, 21,000 ohms (20,000 ohms in series with 1,000 ohms); R7, 750 ohms (500 ohms in series with 200 ohms and 50 ohms), $\frac{1}{4}$ watt type; R8, 10,000 ohms potentiometer. Other components are: Condensers: C1, 0.1 mfd., paper type; C2, 500 μ F, ceramic type; C3, 1 mfd., paper type; Valves: V1, Mazda D1; V2, Marconi LP2. Switches: S1, 5-way (Bulgin); S2, double-pole QMB (Bulgin). Meter: 0-1 mA DC milliammeter (Weston.)

taken to keep the capacity between the wires low, but the lead connected to the cathode of the diode must be well insulated, as the leakage path on this lead must be high compared with six megohms, the value of the triode grid potentiometer. In the early experiments poor insulation on this lead was found to reduce the sensitivity of the instrument considerably. The value of the grid bias potentiometer is not important. In the caption to Fig. 4 are shown the values of the resistances, and also how the values were obtained from standard resistances by selection. The adjustment of these resistances and also the value of R7, the meter backing-off resistance, will be given later.

One other point requires careful insulation, and this is the range switch S1, as the slider is connected to the grid of the triode. A large

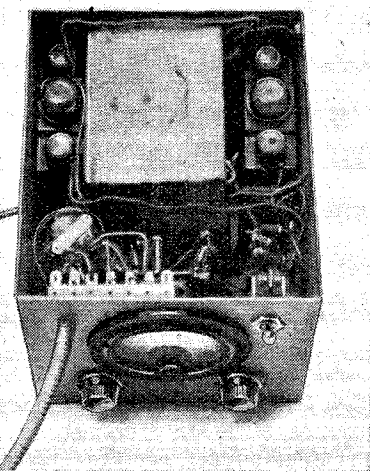
modify the design, and it is not, therefore, proposed to give full working details, but rather to show the general arrangement and indicate the various points over which special care must be taken by those who wish to build the voltmeter.

In the case of the instrument actually constructed by the authors and shown in the photographs, an electric torch container was used to house the diode "head." The D1 valve holder, resistances, and condensers were mounted on the cap which normally screws on the bottom of the torch. The input insulator was mounted on the end of the cylindrical case, which had been cut off to a suitable length so that the lead to the anode of the diode



The "probe" is here shown being applied to a receiver under examination.

hole should be made in the metal case, and a very good quality insulation bush used. The switch S2 is a double-pole one, as it is necessary to disconnect both



Probe Valve Voltmeter —

sides of the accumulator. In the case of the meter shown in the photographs, the batteries were also included in the main case for the sake of compactness. If it is preferred, a flexible lead may be brought out or terminals mounted for external batteries to be used. A small 45-volt HT battery is used, and although small variations are permissible the stated voltage should be adhered to fairly closely.

One important feature of this design is that the meter may be calibrated at 50 cycles and will still hold its calibration up to 45 megacycles. The instrument described was calibrated against a standard Avometer, and subsequently checked against an expensive laboratory

R7 and the grid bias potentiometer R8. In the case of the instrument described, the value of R7 was found to be 750 ohms, and in this case R8 was adjusted to practically the full bias position. With different samples of triode this value for R7 may vary slightly, but the adjustment is quite simple. To adjust the values of the resistances of the range switch, the following procedure should be adopted. If the instrument is made up with standard resistances as shown in the resistance table, the values may then be adjusted to give the correct maximum readings for each scale. This may be most easily done by adjusting the highest voltage range first and then the next, as small alterations in the values of R6 and R5 will not appreciably affect the other ranges. To obtain the higher voltages for calibration the high impedance output of the amplifier was used, no potentiometer being necessary as the calibration was taken direct from the Avometer readings. In Fig. 5 are shown the calibration curves of the voltmeter so obtained.

Modifying the Design

The use of an amplifier as described is not, of course, essential, and various other methods may be employed. It should be noted that the curves should be used to obtain accurate readings, particularly at the lower end of the scale, but that above 0.5 scale reading the various readings will be sufficiently accurate for many purposes. As the scale tends to open out at the bottom, quite accurate readings down to 0.05 volt can be obtained, a feature which does not apply to many types of valve

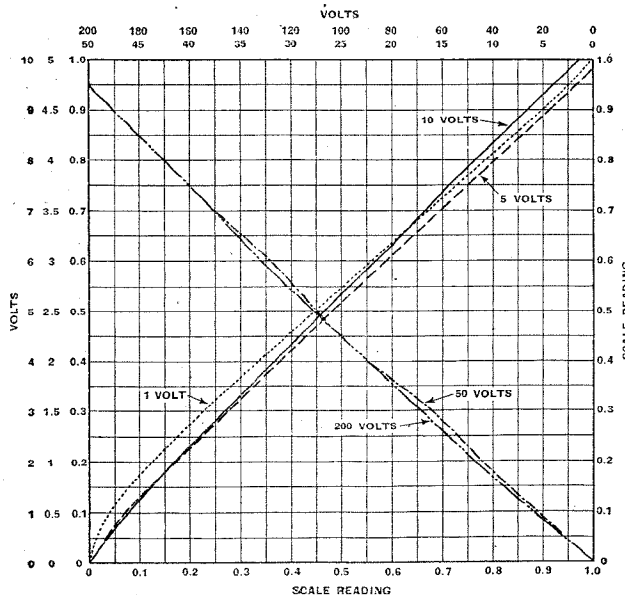


Fig. 5.—The actual dial readings obtained on the various ranges are given above.

valve voltmeter on a television receiver. The accuracy was found to be quite good. Checks were also made at approximately 1 megacycle, and also on lower frequencies.

Calibrating the Meter

The method of calibration and adjustment was as follows: The 4-volt heater winding of an ordinary mains transformer was used as a source. As the 1-volt reading on the Avometer is rather low on the scale, the transformer winding was connected to an amplifier with a low impedance output transformer so that any voltage from 0 to 10 volts could be readily obtained. A high-resistance potentiometer was connected across this output, and the slider connected to the valve voltmeter. The potentiometer was then set so that one-tenth of the output voltage was applied to the valve voltmeter. In this way the calibration could be made down to 0.05 volt. Adjustments were now made until a full-scale reading of 1 mA was obtained on the valve voltmeter for 1 volt AC applied.

The sensitivity is largely controlled by the value of

READINGS FOR CALIBRATION CURVES

Scale Reading of Milliammeter	VOLTS				
	1 volt range	5 volt range	10 volt range	50 volt range	200 volt range
1.0	1.0	4.9	10.25	52.0	210
0.9	0.895	4.42	9.3	47.5	190
0.8	0.81	3.98	8.3	42.5	170
0.7	0.72	3.5	7.35	37.5	150
0.6	0.636	3.05	6.3	32.0	132
0.5	0.545	2.58	5.35	27.5	111
0.4	0.46	2.10	4.35	22.5	90
0.3	0.366	1.6	3.3	16	68.5
0.2	0.275	1.12	2.3	11.2	47
0.1	0.17	0.65	1.25	5.6	24
0.05	0.12	0.35	0.7	2.8	11

voltmeter. The time constant of the meter will be found to be reasonably good, as the meter comes to rest very quickly. This is another important feature, as with many quite expensive laboratory instruments quite an appreciable time must elapse before a reading can be taken.

In conclusion, the authors feel that the construction of such an instrument as that described will well repay the little patience which is necessary, and that the instrument will prove a valuable addition to existing equipment, more especially for service work on broadcasting and television receivers.

Civil Wireless Schools

TRAINING THE R.A.F. VOLUNTEER RESERVE

By "SENTINEL"

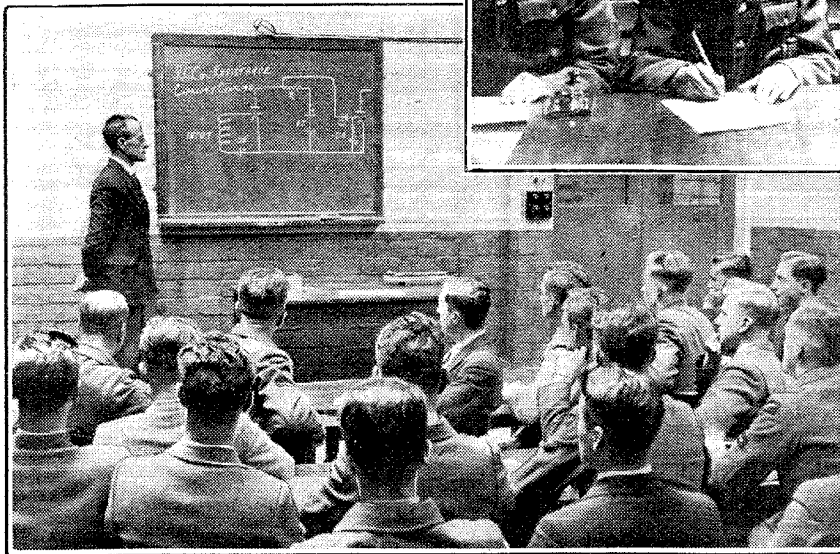
REGULAR wireless operators in the R.A.F. have a thorough and comprehensive training at one or other of the electrical and wireless schools, but these are unable to cope with the demand during hostilities, and supplementary civil schools have had to be set up.

Training wireless operators in wartime is not radically different from the same thing in peacetime, although the restrictions on the radiation of signals present something of a problem regarding advanced training. The elementary training is the same under all conditions, consisting chiefly of alternate periods of morse instruction and lectures on electrical and radio theory. Practical demonstrations of electrical phenomena are a useful method of maintaining interest in a somewhat dry subject, especially if a few sparks can be conjured forth.

The requirements now are for men with average intelligence who can send and receive morse intelligibly at

ducing men of the required standard in the shortest possible time, was prepared some months ago by the responsible authorities. The time allowed to produce the results is not long, and has been declared much too short by many. Nevertheless, the attempt is being made, and the indications so far point to a successful outcome.

The creation of a civil wireless school, working against time under present-day conditions, presents something of a problem. Premises have to be secured, and modifications amounting almost to rebuilding have



At a Civil Wireless School. Instruction in the principles and practice of wireless . . .

. . . alternates with periods of coaching in morse code transmission and reception.

to be carried out in the briefest possible time.

Rooms for signalling instruction have been created out of stables; lecture rooms from garages. Buildings have been transformed internally, by co-operation between builders, joiners, electricians and radio staff. Desks were wired for buzzer practice whilst construction was proceeding, and hammer noises provided a background of interference worse than engine noise. In one special instance three weeks elapsed from notice of imminent arrival of trainees until the school was working smoothly with a full complement of lecture rooms and demonstration labs. The trainees arrived two days behind the aforesaid "imminent" notice, and as the two days were Saturday and Sunday there was little time for preparation. During the in-

a speed of 20 words a minute. They must be thoroughly conversant with military procedure and regulations (which are more complicated than those set forth in the P.M.G. Handbook), and well grounded in the principles of wireless, besides knowing how to manipulate, to the best advantage, the various types of equipment likely to be met. Attention has to be paid to visual signalling, both semaphore and Aldis lamp, to meet Service needs.

An intensive course of training, with a view to pro-

Wireless World

Civil Wireless Schools—

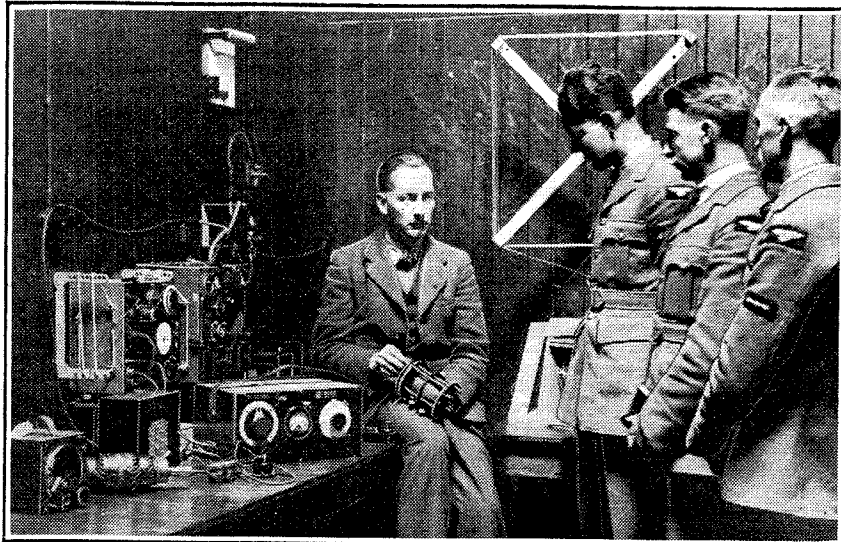
terim period, from "arrival" until "school ready," the classes were held in a local hotel, with a minimum of discomfort to guests or staff. The hotel ballroom was partitioned off into classrooms by using draught-screens, and dining-rooms and lounge were pressed into service.

Portable blackboards were set up, and a number of valve oscillators with loud speakers quickly constructed and made to give tongue, while staff recruiting was proceeding. By the time that the trainees had been provided with billets, the hotel rooms were ready for

days of the war. However, the difficulties were surmounted and the necessary equipment, sufficient to provide full instruction for several hundred pupils, obtained and installed. In order to equip the demonstration rooms, resort was made to low cunning. The argument used was that the trainees should be made familiar with the appearance and performance of the various bits and pieces that go to make a wireless set, whether transmitter or receiver. As one coil, condenser, resistance, battery, etc., looks much the same as another and the proper one not being available, we must use the other. We are well satisfied with the results.

Junk dealers provided the answer at a most reasonable cost. The assortment provided was full and varied. We obtained such widely varied items as hot wire meters (as well as other types of meters) and an induction coil that gives an 8 inch spark. Electromagnets, Leyden jars, transformers, etc., were obtained in sufficient quantities at a price to delight any radio fan. We even obtained a good working goniometer and an excellent armature.

The principle followed in the instruction is to avoid mathematics absolutely. Nothing outside simple



The functions of the various components of transmitters and receivers are explained, and finally . . .

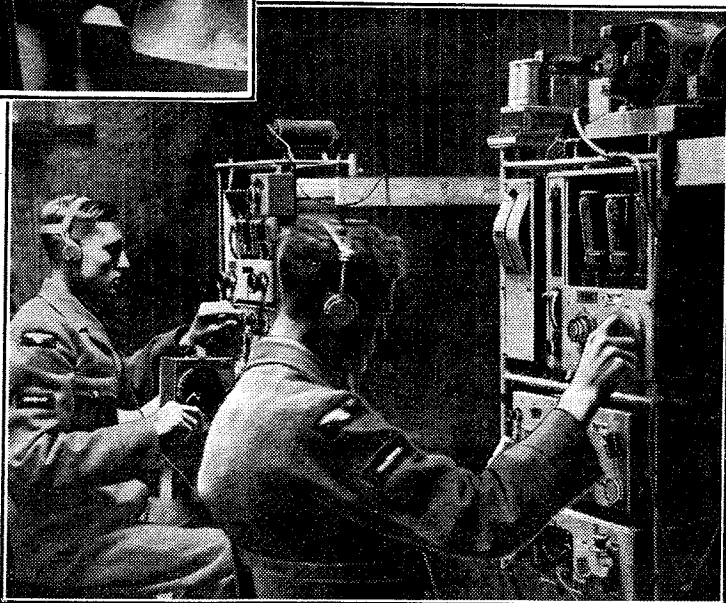
. . . the more advanced students are given opportunities to manipulate the controls of working apparatus.

lectures. Card and dining tables were laid together to make buzzing tables for groups of eight to ten trainees.

The first trainees arrived at 9 a.m. on Monday. The first wireless lecture was delivered, through a dance-band amplifier, simultaneously to all classes at 1.30 p.m. the same day. Total audience was several hundreds, and notes were duly made of interesting points. After a lecture of 1½ hours, buzzing was started, and the temporary school was working. An instructor was allotted to each class, and work proceeded fairly smoothly until better quarters were ready.

Meanwhile, a local estate had been requisitioned, and workmen quickly made conversions. What had been the staff quarters, with stables, garages, workshop and courtyard, were converted into a complete school unit, with eleven full-sized class-rooms and three demonstration laboratories.

Owing to more pressing requirements it was not possible to obtain any Service apparatus. Large quantities of morse keys, telephones, stationery, etc., had to be purchased locally, and this was difficult in the first few



arithmetic has been allowed to enter the syllabus, and demonstrations follow lectures as closely as possible. We have now three complete installations in use which were never intended for such use. They provide excellent instruction in basic principles, and in tuning, until more specialised equipment can be obtained. Direction finding has not been overlooked, and a local joiner has made us two good frames.

The trainees take a very great interest in their work and their social life has not been neglected.

Amplification by Impact

DEVELOPMENTS IN ELECTRON MULTIPLICATION

THE electrons which form the discharge current through an ordinary valve are supplied from a heated filament or cathode; hence the name *thermionic* which comes from the Greek word *thermos*, meaning warm. In the electron-multiplier, on the other hand, the working current is built up of "secondary" electrons, which are produced by bombarding a cold cathode with primary electrons.

All matter, as we know, is made of atoms, and these, in turn, consist of electrons which rotate in more or less fixed orbits around a central nucleus. If we had a sufficiently powerful microscope to observe what happens when a free or primary electron is projected against an apparently solid target, we should see that it ends its flight by plunging—not against a truly solid surface but into a seething mass of "atomic electrons." The effect of the impact varies according to the composition of the target. If the latter is a fluorescent screen, as, for instance, in a CR tube, the collision is followed by a momentary flash of light. The reason is that the projected electron jerks one of the atomic electrons out of its usual orbit, and without knocking it completely away from the nucleus, causes it to lose a certain amount of energy. In this particular case the energy so liberated is immediately converted into a "photon" or bundle of light-waves.

In the case of certain metals, however, the force of the impact is sufficient to break the bonds of the metallic atom, so that one or more of its electrons are "splashed out" into space, like the drops of water thrown up when a stone falls into a

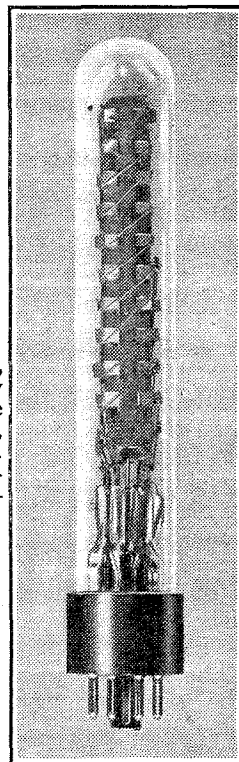
pond. But electrons set free in this way do not necessarily fall back whence they came, under the force of gravity—as do drops of water. If there is an electric field of force in the neighbourhood, they are attracted by it and will flow along the positive gradient of that field. Similarly, a magnetic field can be used to herd the electrons together and make them move in a given direction as a compact beam.

The production of secondary electrons by impact has been known for a long time, but it is only recently that we have learned how to use electric and magnetic fields for collecting the liberated electrons and controlling their subsequent movements systematically. One result is the development of the electron-multiplier—a type of amplifier in which a stream of electrons is projected from one "cold" cathode to another—in regular succession, producing fresh electrons automatically at each impact. The new tube possesses qualities which rival those of the valve, both as an amplifier and generator of electric oscillations and as a highly sensitive relay.

Recently, too, specially sensitive materials have been found which are capable of producing an unusually copious emission of secondary electrons when bombarded. A "target" electrode coated with caesium-silver-oxide, for instance, will liberate from ten to twelve secondary electrons for every high-speed primary electron that strikes against it. A six-stage multiplier, fitted with such targets, gives an amplification of over ten million to one—or an output current of ten amperes when excited by the light received from a candle several feet away. Even when bom-

barded with slow-moving electrons, corresponding to twenty volts or less, the emission-ratio of a caesium-silver target is of the order two to one, so that the

This photograph, supplied by courtesy of the Science Museum, shows one of Dr. Vladimir Zworykin's early electron multipliers.



multiplier can now be used with comparatively low values of HT supply.

Fig. 1 illustrates the operation of the standard form of multiplier, in which a series of cold targets or cathodes 2-8 are arranged in pairs along the length of the tube. The first cathode may be heated, if it is desired to start with a liberal supply of primary electrons, or it may be a cold electrode coated with a light-sensitive material. The other target electrodes 2-8 are covered with a highly-emissive coating, and carry progressively-increasing positive voltages.

Stage-by-Stage Multiplication

A ray of light projected on to the first cathode releases electrons by photo-electric action. These are attracted by the positively-charged target 2, against which they strike, releasing secondary electrons which are in turn attracted towards the more positive target 3. And so the process goes on, every electron "multiplying" itself at each succeeding stage, until the amplified

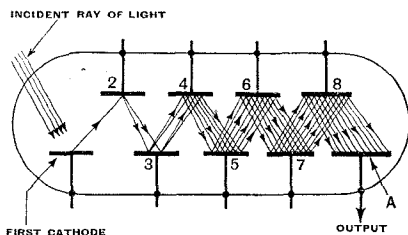


Fig. 1.—Simplified diagram showing the principles of electron multiplication by impact.

Amplification by Impact—

stream is finally collected by the anode A.

In the schematic arrangement shown, some of the free electrons would, in practice, succeed in travelling straight along the centre of the tube towards the anode A without making impact against each of the targets in turn, and so would fail to contribute their proper quota to the output. To prevent this, the targets can be arranged in the same plane, as shown at 1—5 in Fig. 2, a combination of electric and magnetic fields of force being used to force the electrons to "hop" from one target to the next in regular succession. As before, the targets 1—5 carry progressively increasing positive charges, the static field of force so created being reinforced by that from an upper set of accelerating electrodes 2A—6A. The latter are biased so that the voltage on 2A is equal to that on target 2, the voltage on 3A is equal to that on 3, and so on. In addition, an external winding (not shown) produces a magnetic field in a direction at right-angles to the main axis of the tube, e.g., downwards through the plane of the paper.

Deflector Action

Under these conditions, electrons leaving the cathode are first attracted towards the accelerating electrode 2A. When they reach the half-way point, however, they are bent to the right, along the axis of the tube, by the action of the magnetic field from the external winding. They then come within reach of the positive voltage on target 2, and are attracted downwards to strike against it. The same process occurs at each successive stage, so that the discharge stream passes from one target to another in regular succession along the dotted-line path, being multiplied, as before, at each successive impact.

In another well-known type of multiplier a single pair of target

plates are placed opposite to each other, and are connected across an external tuned circuit. Placed midway between the targets is a ring-shaped anode, which carries a positive voltage and normally allows a free passage to the electron stream. When a ray of light is directed on to one of the targets, some electrons are released and are drawn forward

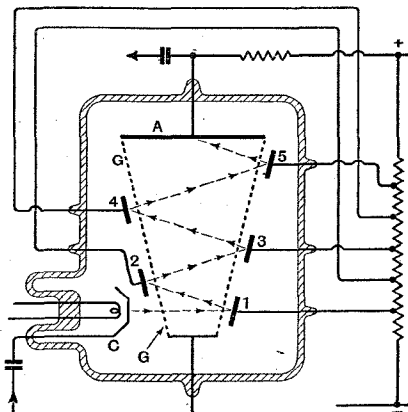


Fig. 3.—A recent development in "zig-zag" multipliers.

by the positive voltage on the ring-shaped anode. Owing to the speed at which they travel, they pass straight through the ring-shaped anode and reach the opposite target, which, at that precise moment, is made positive by the voltage built up across the external tuned circuit. The secondary electrons produced by this first impact are then attracted back by the ring-shaped anode, and again pass through it to reach the first target, where they liberate more secondary electrons.

In this way the oscillating stream is rapidly built up, until the point comes when the ring-anode begins to collect the amplified current.

Fig. 3 shows one of the latest forms of multi-

plier which, in some degree, combines the features of both the types previously mentioned. The novelty of this construction lies partly in the conical arrangement of the target electrodes 1—5, and partly in the use of a similarly shaped "accelera-

ting" grid G. The latter attracts the secondary electrons released from each target and speeds them on their way towards the next target along the path indicated by the arrows.

In this particular case the initial stream of primary electrons is supplied by a heated cathode C. As they emerge they are attracted through the positive grid G towards the first target 1, which, like all the other targets, is coated with a highly-emissive material. The secondary electrons produced by the first impact are then drawn away by the grid G towards the second and more positive target 2, the process being repeated at each of the successive stages 3, 4 and 5 until the amplified current finally reaches the collecting anode A.

The grid G prevents the formation of any space-charge likely to clog either the emission or the free movement of the liberated electrons, whilst the conical shape of the electrodes provides a longer path for the stream as it passes from stage to stage, so that more space is made available for the electrons as they increase in number.

Club News

Croydon Radio Society

Headquarters: St. Peter's Hut, Ledbury Road, South Croydon, Surrey.

Meetings: 1st and 3rd Thursdays in the month at 8 p.m.

Hon. Sec.: Mr. E. L. Cumbers, 14, Campden Road, South Croydon, Surrey.

Meetings will, temporarily, be bi-monthly instead of weekly. On November 8th Mr. Stuart Davis demonstrated his new quality gear, including a 50-watt amplifier, a *Wireless World* tone control unit, and a contrast expander. Mr. Davis also gave a demonstration of home recording. On December 6th Mr. R. W. Gilpin lectured on "Recording and Reproduction on Film." The next meeting will be at 8 p.m. on Thursday, January 4th, 1940, when Mr. P. G. A. H. Voigt is giving a lecture and demonstration.

Surrey Radio Contact Club

Headquarters: 79, George Street, Croydon.
Hon. Sec.: Mr. S. A. Morley, 22, Old Farleigh Road, Selsdon, Surrey.

The November meeting was devoted to a talk by Mr. L. C. B. Blanchard on "The 28 Megacycles Band." It was resolved to have the annual "Hamfest" as usual, the date fixed being December 15th. The club are now publishing their own monthly magazine entitled "Q.R.X." The price is threepence.

Ashton-under-Lyne and District Amateur Radio Society

Headquarters: 17a, Oldham Road, Ashton-under-Lyne, Lancs.

Meetings: Wednesdays, at 8 p.m.

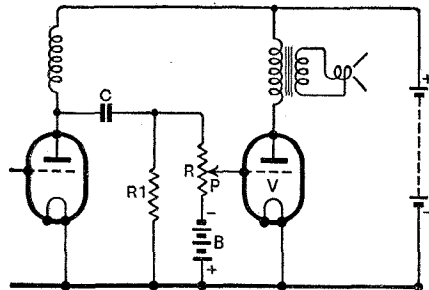
Hon. Sec.: Mr. K. Gooding, 7, Broadbent Avenue, Ashton-under-Lyne, Lancs.

Several members are now in the Services, but it has been decided to carry on as usual so far as it is possible, and a programme of lectures is being prepared. In addition to the usual Wednesday meetings, members will meet at 2 p.m. each Sunday.

Economising in HT Consumption

ANODE CURRENT DEPENDENT ON VOLUME

ECONOMY in HT consumption is neither here nor there when the supply can be taken from the mains, but it is a very different matter in a battery-driven set where the cost of HT current usually works out at between £4 and £5 per unit. Thus it is obviously desirable that every milliamp drawn from the HT battery should



Method of "ganging" volume and HT consumption.

be made to pull its full weight. The output valve of a receiver is responsible for most of the HT consumption and in the accompanying diagram (Patent 511912) it will be seen that matters are so arranged that the current drawn from the HT battery by this valve rises and falls, automatically, with the setting of the volume control. In other words, the energy taken from the HT battery is kept proportionate to the actual speech-frequency output with the result that there is no unnecessary waste. The *modus operandi* is simple

As will be seen, the preceding valve is coupled to the output valve through a condenser C and a resistance R

from which a volume-control slider P is taken to the grid. The resistance R is in series with a grid bias battery B and also with a second resistance R₁, so that the current from B through the two resistances gives a potential gradient. The result is that when the slider P is moved upwards, to give maximum volume, the grid becomes more positive, and more anode current is taken. On the other hand as the control P is moved down, to reduce volume, the negative bias on the valve increases and the current drawn from the battery automatically falls off.

The initial grid-bias value is chosen so that for any setting of the volume control, the maximum voltage-swing brings the working point of the valve down to the lower bend of its grid-volts anode-current curve. The result is that the most favourable conditions in the matter of current consumption from the HT battery are always maintained.

Bad Short-wave Conditions

A GLOOMY FORECAST

"**ETHACOMBER**," who contributes regularly on conditions obtaining on the short-wave bands, apologises for his absence this month, but hopes to resume in our next issue. He prophesies that the present abnormally bad conditions for night-time propagation will last until February. This does not apply to long-distance transmissions during daylight hours, which are not greatly affected.

Henry Farrad's Problem Corner

No. 42—Contrariness of an Intervalve Transformer

Mr. H. Farrad.

Dear Sir,

I am writing about a difficulty I have struck, hoping you will be able to give me a word of advice concerning it.

I was not getting quite enough AF amplification with an ordinary 1:3 ratio transformer-coupled stage in front of the output valve, so I reconnected it as an auto-transformer to give a ratio of 1:4. Actually, the results are very disappointing; the amplification is far less than before. The circuit diagram is enclosed, and I have checked it carefully; also all the components are O.K. There is no use telling me the transformer primary is reversed, giving only 1:2 step-up, because I have made sure about that. That being so, I cannot

The diagram on the left shows the original intervalve coupling of Mr. Back's set, while on the right is shown how the circuit was modified for auto-transformer coupling.

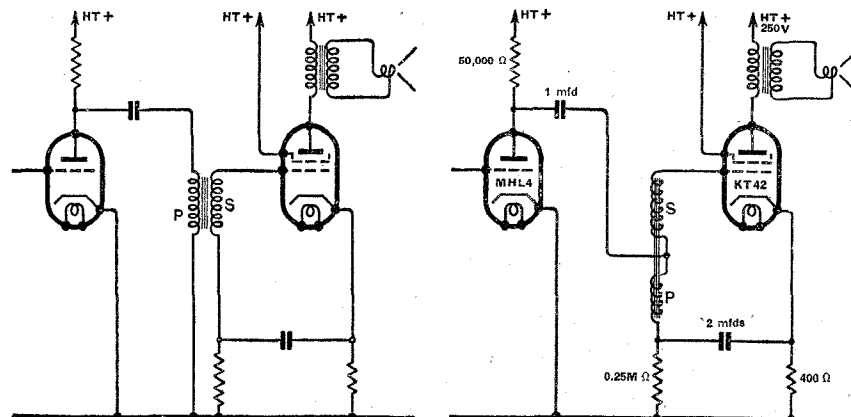
101, Tooley Street,
South Ham.

understand why I'm getting less amplification than before.

Yours truly,

N. F. Back.

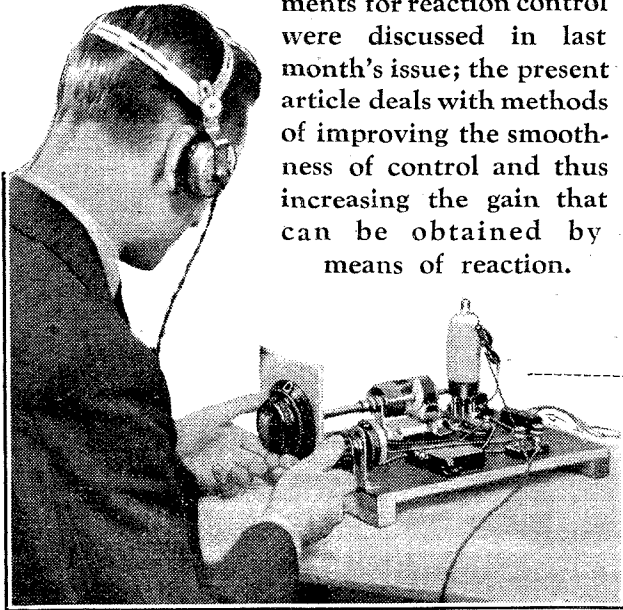
What is the explanation of this unforeseen result? Henry Farrad's solution is on p. 104.



Smooth Reaction

AVOIDING "PLOPPINESS" AND BACKLASH

Practical circuit arrangements for reaction control were discussed in last month's issue; the present article deals with methods of improving the smoothness of control and thus increasing the gain that can be obtained by means of reaction.



IN a small communication receiver regeneration is often needed at intermediate frequency in order to increase the adjacent-channel selectivity. With the usual intermediate frequency of 465 kc/s or so the correct method of control with the Colpitts circuit is a variable condenser C_1 in Fig. 1 (repeated from last month's article). This is a particularly convenient circuit arrangement, although there are many possible variations of it. For this frequency, C_1 should have a maximum capacity of some 150-200 $\mu\mu\text{F}$ with a low minimum, R_1 can be 50,000 ohms or so, and L_1 should have an inductance greater than 2,000 μH . The valve can well be a small triode with a mutual conductance of some 2 mA/V and an AC resistance of the order of 10,000 ohms. C_{gc} is the grid-cathode capacity of the valve; in some cases, however, it is advisable to augment it by an additional capacity of 10 $\mu\mu\text{F}$ or so. It has been found that this leads to much smoother reaction.

When regeneration is used at signal frequency on short waves the conditions are different. Whether it is used merely to increase pre-selection in a small communication receiver or to give the necessary sensitivity in a straight set, a voltage or resistance control is necessary. With a triode the circuit of Fig. 1 can be used and stray capacities are usually sufficient for C_1 , though, as just suggested, it may prove advisable to augment C_{gc} a little. L_1 can be a short-wave choke and R_1 a good quality variable resistance of some 10,000-20,000 ohms maximum value. The same difficulties in the choice of a resistance apply as in the case when it

is connected straight across the tuned circuit, but to a lesser extent.

The alternative control, by varying g , is best applied to a screened tetrode or pentode valve and a suitable circuit is shown in Fig. 2. The resistance R_1 of Fig. 1 will probably no longer be needed and regeneration is controlled by varying the screen voltage by R_3 . Although this scheme overcomes the difficulties associated with the choice of a suitable component for R_1 , it has two drawbacks.

The first is that changing the screen voltage is likely to have some effect upon the static valve capacities, and so on the tuning. The second is that varying the screen voltage alters the operating conditions of the valve as a detector-amplifier; this is especially so when resistance coupling to a following stage is used.

Screen Voltage Considerations

There is an optimum screen voltage for performance as a detector-amplifier, and for proper reaction effects it is necessary to adjust the other circuit constants so that the valve oscillates at this voltage. Under normal conditions when the valve is not oscillating the screen voltage is sub-optimum. It is not usually satisfactory to arrange matters so that the screen voltage is above optimum in the oscillating condition in the hope that it will be about optimum in the non-oscillatory, because one cannot be certain of avoiding an excessive screen voltage. Overvoltage is usually more harmful to performance than undervoltage, especially when resistance coupling to a following stage is employed.

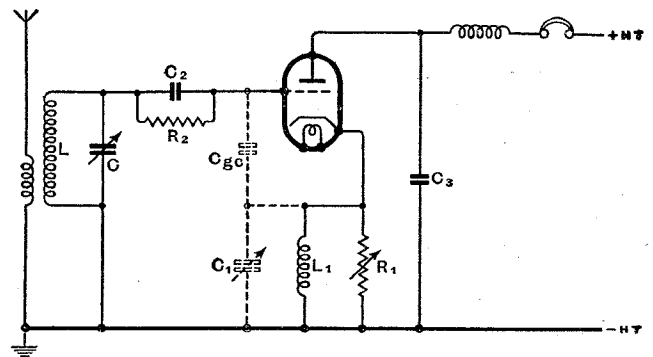


Fig. 1.—This diagram, which is repeated from last month's article, shows a version of the Colpitts circuit which is particularly convenient, since the tuning condenser can be earthed.

This particular circuit is only suitable for indirectly-heated valves, since the cathode cannot be earthed. With battery valves a modified arrangement must be employed, and the circuit of Fig. 3 is probably the best. Neither side of the tuning condenser C is earthed, so that it must be operated through an insulated extension

Smooth Reaction—

shaft in order to avoid hand-capacity effects. In many cases it will be possible to replace L_1 by a resistance R_1 of 50,000 ohms or so.

The Hartley circuit is easier to use with battery valves, but is more difficult to analyse and harder to get working nicely at very high frequencies. The usual circuit for an indirectly-heated valve is shown in Fig. 4. The tuning coil has a total inductance $L = L_1 + L_2 + 2M$ where M is the mutual inductance between the two parts L_1 and L_2 . It is not difficult to show that if the circuit capacities C_{gc} and C_1 are truly negligible and if the coupling between L_1 and L_2 is so tight that $M^2 = L_1L_2$ the effective inductance of the circuit is L and is unaffected by changes in the valve. A regeneration control which acts by varying the electrode voltages will then give no change in tuning.

In practice, M^2 can never equal L_1L_2 ; it is always smaller. The requirement for constancy of L at any frequency is then $M + L_2 = \mu (M + L_1)$; in other words, the ratio of the inductances of the two parts of the coil must equal the amplification factor of the valve. The tapping, therefore, must be towards the grid end of the coil. This is contrary to normal practice, which

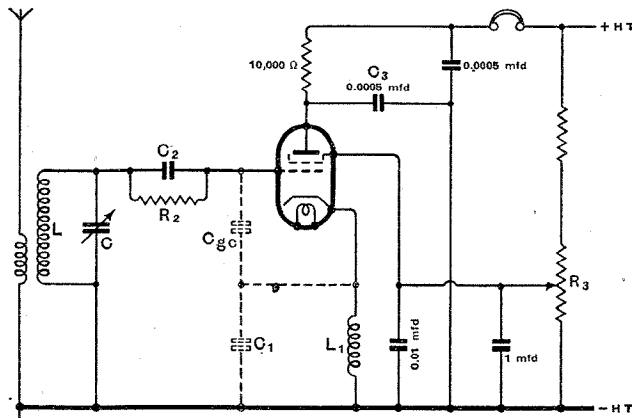


Fig. 2.—For high-frequency work a screened tetrode or pentode is very convenient, as the screen voltage can be varied for a regeneration control.

places the tapping point towards the anode end as shown in Fig. 4. This may seem a little confusing at first, for the tapping is shown towards the earthy end of the coil. In this case, however, the earthy end is the anode end, for the anode and screen are earthed to radio-frequencies through the condensers C_2 and C_3 .

Under normal conditions, however, there are probably more cases where the circuit capacities are not negligible than there are where they can be ignored. For them to be negligible it is necessary that $\omega^2L_2C_1 (1 - k^2)/(1 + M/L_1)$ and $\omega^2L_1C_{gc} (1 - k^2)/(1 + M/L_2)$ be small compared with unity; k^2 is the coefficient of coupling and equals M^2/L_1L_2 .

To get an idea of the quantities involved assume that the coil is centre-tapped and the coupling is 50 per cent. Then $L_1 = L_2$, $k = 0.5$, $M = L_1/2$ and the requirement is that $0.5\omega^2L_1C_1$ and $0.5\omega^2L_1C_{gc}$ be small compared with unity. At 30 Mc/s we might well use a

total tuning capacity of $25 \mu\mu\text{F}$, which would need an inductance of $1.1 \mu\text{H}$ and so make $L_1 = 0.36 \mu\text{H}$.

The values of C_1 and C_{gc} are hardly likely to be less

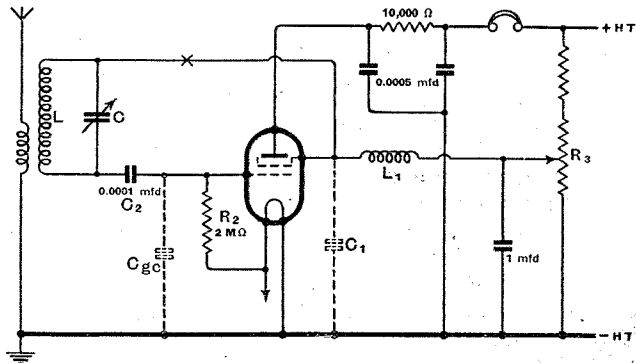


Fig. 3.—With a battery valve the circuit of Fig. 2 must be rearranged in this form. Neither side of the tuning condenser can now be earthed.

than $10 \mu\mu\text{F}$ and may well be as high as $15 \mu\mu\text{F}$. Taking the latter figure we find $0.5\omega^2L_1C_1 = 0.098$, which is a good deal smaller than unity but hardly small enough to be negligible. Matters are worse if we use a smaller tuning capacity. Suppose we halve it; we shall have to double the inductance and this also doubles L_1 and so doubles the value of $0.5\omega^2L_1C_1$. A higher frequency, however, will not affect it. Suppose we double the operating frequency, then the inductance must be reduced to one-quarter and the value of $0.5\omega^2L_1C_1$ remains unchanged. The important thing, therefore, is to keep the ratio of C_1 and C_{gc} to the total capacity small; in other words, keep C_1 and C_{gc} as small as possible and do not use too small a value of tuning capacity. In connection with C_1 and C_{gc} it must be remembered that these represent not only the valve and wiring capacities, but also the self-capacities of the two sections of the coil.

It can be seen, therefore, that the Hartley circuit is more likely to function well at low and moderate frequencies than at high because it is difficult to employ a reasonably large tuning capacity at the latter. These results are in accordance with practical experience.

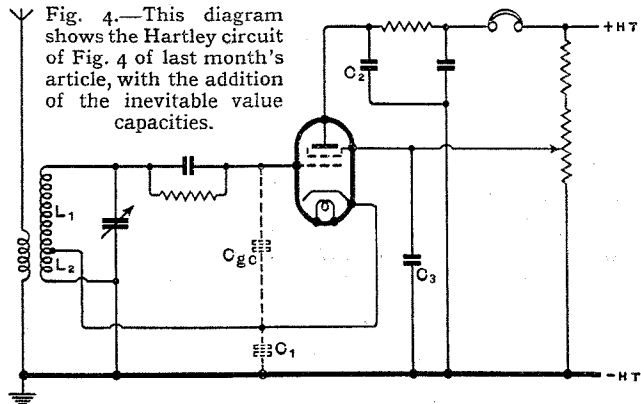


Fig. 4.—This diagram shows the Hartley circuit of Fig. 4 of last month's article, with the addition of the inevitable value capacities.

Methods of using the Hartley circuit with battery valves are shown in Figs. 5 and 6. In Fig. 5 neither side of the tuned circuit can be earthed, so that pre-

Smooth Reaction—

cautions against hand-capacity effects must be taken. In Fig. 6 the tuning condenser has one side earthed but a coil is needed in the positive filament lead. This coil should be wound turn for turn with the main winding so that it is as nearly as possible identical with the coil between earth and negative filament and coupled to it as tightly as possible. Alternatively an RF choke can be used in the positive filament lead, but this component must be of very low DC resistance—certainly not more than 0.2 ohm with an average valve.

This by no means exhausts the possible ways of obtaining reaction effects. One arrangement, which was very popular in America in the early days of broadcasting, is shown in Fig. 7. A variometer L_1 is used as a reaction control. The input resistance of the valve is negative when the anode circuit load impedance is inductive, the feed-back taking place through the grid-anode capacity C_{ga} . Although simple, the circuit is hardly suitable for modern purposes, since the change of input capacity with varying reaction is quite large. Unfortunately, the limiting conditions which lead to a substantially constant input capacity cannot well be met with practicable values of components.

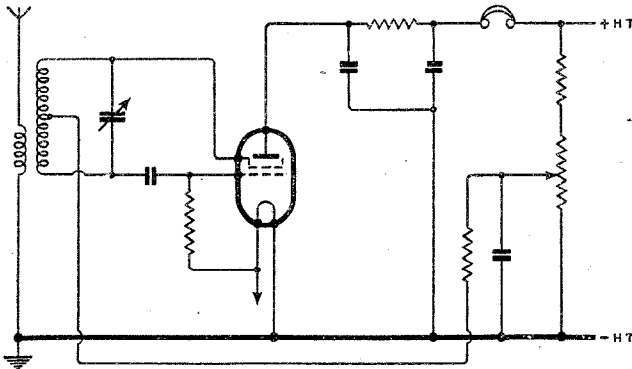


Fig. 5.—With a battery valve the Hartley circuit usually takes this form.

The change of effective input capacity with regeneration is not the only important matter connected with reacting circuits. In many, if not most, cases the attainment of smooth reaction free from backlash is also very important. In apparatus in which critical reaction is used it is of supreme importance.

Conditions for Good Control

For smooth reaction the transition from the non-oscillating to the oscillating condition must take place gently. Suppose we have a small signal applied to the grid of a valve and we increase reaction until it oscillates. As reaction is increased the signal on the grid gets larger and larger, because it is made up of two parts—the original signal and a voltage returned to the grid from the anode circuit.

Conditions are stable as long as there is a power loss in the grid circuit as a whole, but with increasing reaction a condition is at length reached at which the energy fed back to the grid circuit equals or exceeds the loss. With perfectly linear valve characteristics and

an unlimited power source, the grid circuit voltage would then build up to infinity. In practice a valve is only approximately linear over a portion of its characteristic.

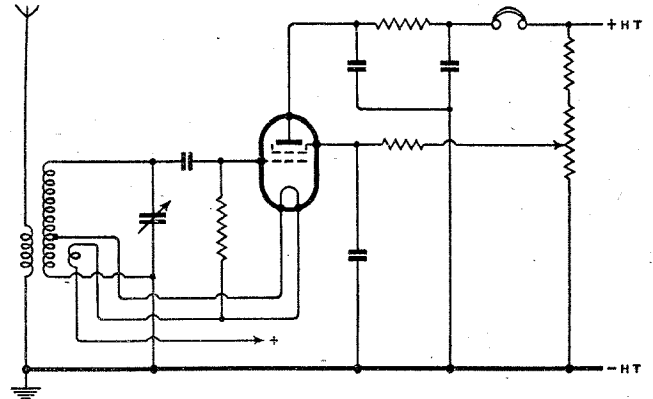


Fig. 6.—A modified Hartley circuit is shown here. One side of the filament is taken to the tapping on the coil and the other to positive LT through a coil coupled to the main winding.

and becomes markedly non-linear outside that range. When the amplitude sweeps over the non-linear portions there is a change in mutual conductance; at length it falls and limits the amplitude to a finite value.

If we take a valve with its grid negatively biased towards the anode current cut-off point A in Fig. 8, we can see that a small voltage will sweep over the small range BC around A. The mutual conductance is low, for it is the change of anode current for a given grid voltage change.

With sufficient reaction the amplitude builds up and becomes larger so that it soon sweeps over DE. The average valve oscillates more readily than it did initially. The amplitude goes on building up and the mutual conductance falling, but beyond about FG the signal drives the valve into grid current. The grid then takes power from the input circuit and tends to reduce the amplitude, and at length an equilibrium condition is reached.

The increase of mutual conductance with amplitude at the start, however, is a very serious drawback, for it

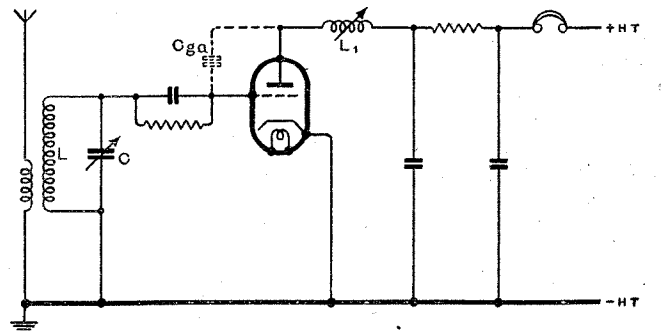


Fig. 7.—An early American circuit in which feed-back occurs through the grid-anode capacity C_{ga} .

leads to a very rapid increase in amplitude as soon as oscillation commences and this causes the familiar "plop" in the phones. It also causes backlash, for it is clear that as the mutual conductance is higher when

Smooth Reaction—

the valve is oscillating than when it is not, weaker reaction coupling must be used to stop it oscillating than to start it.

A valve operating under these conditions is actually an anode-bend detector, and it is well known that this detector is not good for reacting purposes. If the bias is reduced so that the conditions are nearer those of an amplifier, matters are greatly improved and it is possible to arrive at a condition giving smooth reaction. In general, the bias should err on the low side so that grid current flows at a moderate value of RF grid voltage and so quickly starts to limit the amplitude.

Changing Mutual Conductance

In most cases, however, the best results are secured with a grid-leak and condenser. The operation is then quite different and more complicated. As before, we get the rising RF amplitude on the grid tending to increase the mutual conductance, but at the same time the mean grid potential moves in a negative direction with increasing amplitude through the grid rectification effect. This increasing bias on the valve tends to decrease the mutual conductance and if it predominates over the first effect smooth reaction is secured.

Referring to curve A, Fig. 9, with a bias initially about zero the working portion is towards the middle of the straightest part of the characteristic. When the amplitude increases the grid potential moves somewhat negative, but does not greatly reduce the mutual conductance. The amplitude, in fact, tends to increase the mutual conductance nearly as much as if the bias were fixed.

Now if the characteristic were of the form B, it is clear that quite a small change in grid potential will bring the valve to anode current cut-off, where the mutual conductance is zero. Consequently, although the tendency is for the mutual conductance to rise because of the direct action of the increasing amplitude on the valve, there is a still greater tendency for it to decrease because of the increasing grid bias. The net result is a decreasing mutual conductance with amplitude; reaction is then smooth.

The condition of curve B is secured with a low anode voltage in the case of a triode, or a low screen voltage with a tetrode or pentode. It has been known for very many years that a low voltage is much more conducive to smooth reaction than a high one. Its use, however, entails one disadvantage. It may be very good for the

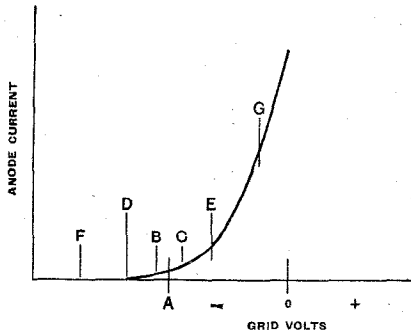


Fig. 8.—A typical valve curve is shown here. If the bias is fixed at A a small signal swings over the range BC. Larger signals swing over DE and FG.

reception of weak signals but it tends to limit the output on stronger ones.

On tuning in a moderately strong signal one finds that as one comes into resonance more and more reaction is needed to bring the valve to the oscillation point,

and the volume from the signal does not seem as great as it ought to be. What happens is that the bias developed by the grid rectification of the signal is large enough to bring the working point well down on the grid-volts-anode-current curve and so lower the mutual

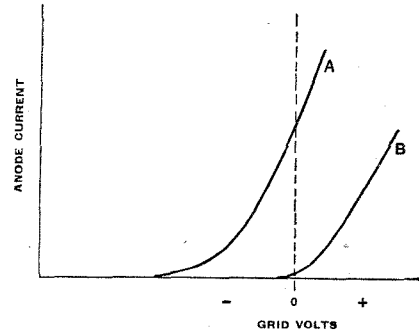


Fig. 9.—Two valve curves are shown here. A is for a fairly high anode voltage and B for a low voltage.

conductance. More feed-back is needed to come to the oscillation point and the AF gain contributed by the valve falls.

It is not always possible completely to eliminate this effect. It is reduced to a minimum by using as high an anode (or screen) voltage as possible consistent with smooth reaction.

Inconstant Grid-Cathode Resistance

The variation of the grid-cathode resistance of the valve with amplitude is another important factor. With large amplitudes it tends to settle down at a value about equal to one-half of the value of the grid leak. With very small inputs, however, it can be higher or lower, depending on the value of the grid leak and the potential of the point to which it is returned. If the grid leak is fairly low, and especially if it is returned to a point positive with respect to the cathode, the grid-cathode resistance may be quite small for small signals. The resistance then increases as the amplitude grows and damps the input circuit less, thus increasing regeneration effects. This naturally makes for "ploppy" and ineffective reaction.

On the other hand, if the grid leak is of high value, and especially if it is returned to a point of negative potential, the grid-cathode resistance can be much higher for weak signals than for strong. The input circuit then becomes more heavily damped with increasing signal strength, which helps greatly in securing smooth reaction.

These points—a low anode voltage and a high resistance leak returned to a slightly negative point—represent very old advice for securing smooth reaction and they are as important to-day as ever. They are not points, however, which make for low distortion, but are just the opposite. This is not very important in practice because critical reaction is only needed for weak signals for which rectification will in any case be non-linear and the weak signals will often themselves be distorted.

H.M.V. Model 1200

AC SUPERHET (SIX VALVES + RECTIFIER AND TUNING INDICATOR),
 PRESS-BUTTON TUNING WITH AFC AND AUTOMATIC WAVERANGE
 SELECTION PRICE: 21 gns.

THE chassis incorporated in this table model receiver and also in the H.M.V. Model 1600 Autoradiogram has an unusually comprehensive specification. It is the type of instrument one could recommend without the usual preliminary enquiries to find the special interests of the listener. However specialised or catholic his tastes may be, he will find them amply satisfied by this set.

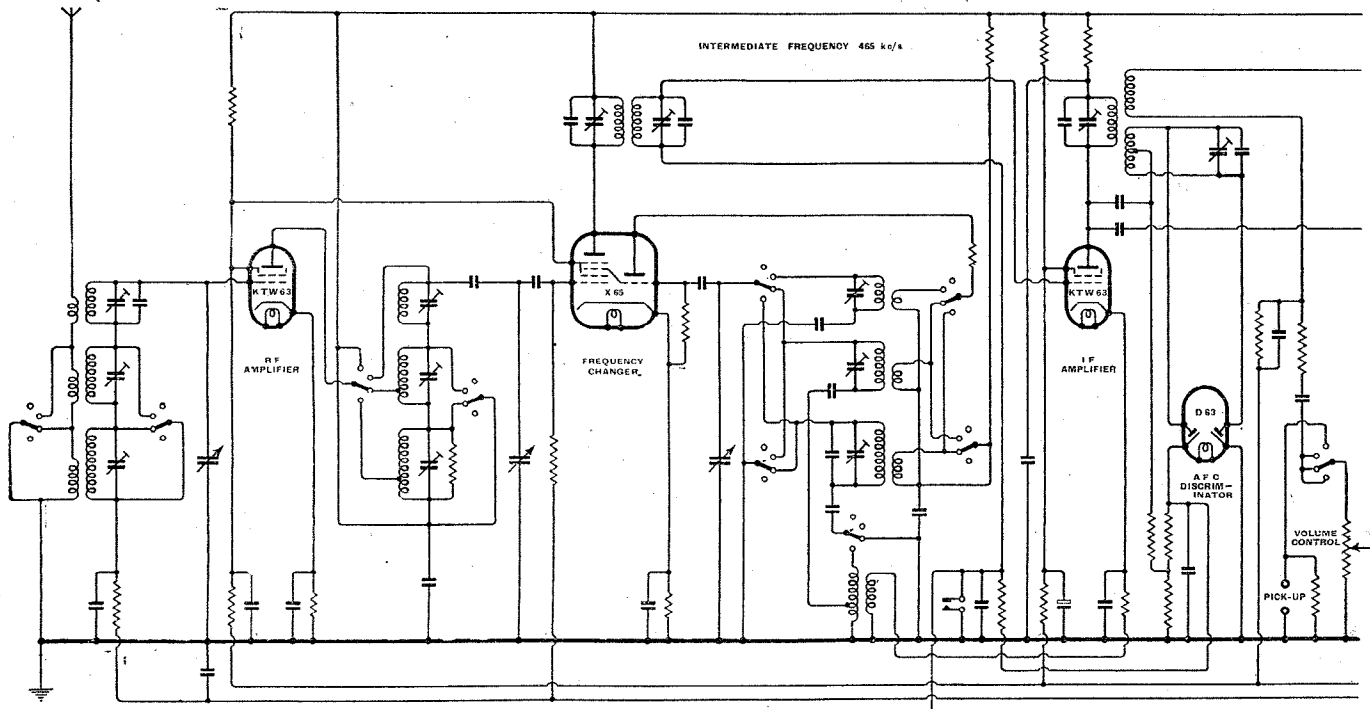
For quality reproduction there is a 10-watt output stage with negative feed-back operating an elliptical diaphragm loud speaker giving wide-angle projection of sound. The short-wave enthusiast will find a vernier tuning dial and an efficient RF stage

of a button. Manual tuning is supplemented by a two-way motor "cruising" drive for moving rapidly from one part of the scale to another.

Circuit.—Aerial coupling transformers with high-impedance primaries lead to the tetrode RF stage, which is tuned-anode coupled to the triode-hexode frequency changer. Both these stages are controlled from the AVC line, but not the IF valve, which in this receiver is required for DC amplification in connection with the automatic frequency control circuits.

and the resulting change in anode current alters the inductance of the AFC "transformer," one winding of which is connected in the cathode return lead, and the other in series with the oscillator tuning circuits on medium and long waves. The AFC input is short-circuited while the motor tuning mechanism is in motion and also when the keys for normal manual tuning are fully depressed. It is, however, possible to keep the AFC circuits on manual tuning by lightly touching one of the other buttons, so that all keys return to the "off" position.

Circuit diagram of the H.M.V. Model 1200. The IF stage is used also as a DC amplifier for the control current of the permeability AFC unit.



to give him the necessary margin of sensitivity with adequate second-channel suppression, while for arm-chair listening on medium and long waves the fully automatic tuning system will select the appropriate waverange, find the station required and tune it accurately at the touch

A centre-tapped third winding on the output IF transformer is connected in a balanced circuit to the anodes of the diode discriminator. Any out-of-balance potential which appears across the resistances in the cathode circuit of this valve is applied to the grid of the IF amplifier,

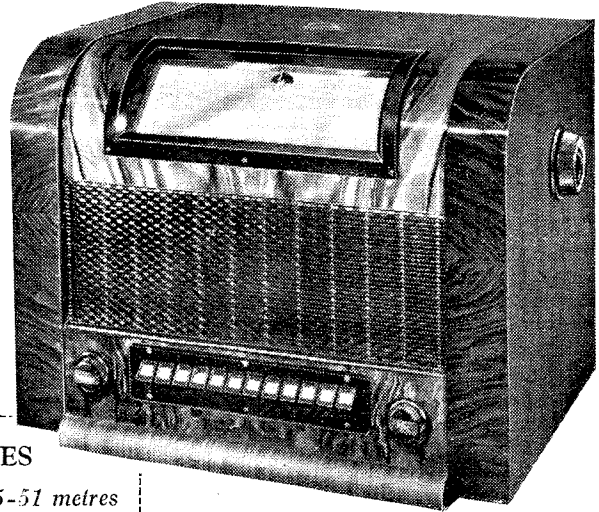
Negative feed-back is applied from the secondary of the output transformer to the cathode circuit of the first AF amplifier. The characteristics of the feed-back system evidently call for a comparatively low resistance at this point, and to increase the delay voltage to the

required value the screen potentiometer current for the earlier valves is returned to earth via the cathode resistance of the second detector valve. Tone control is affected by an adjustable resistance-capacity filter between grid and anode of the tetrode output valve.

Performance.—In most of the receivers which pass through our hands it is usually possible to point to some distinguishing characteristic in the performance which may help the reader to decide if it is the type of set he is looking for. The difficulty in the Model 1200 is to decide which of its many excellent points can fairly be singled out for special mention; and therein lies its distinguishing characteristic, namely, that of the well-balanced "all rounder."

Quality of reproduction leaves nothing to be desired either in fullness of tone or spaciousness of distribution on orchestral items. Speech is natural, and the crispness and clarity required for solo instruments

background noise and an entire absence of self-generated whistles. There is no evidence of second-channel repeat tuning points on short waves, and the selectivity on medium and long waves gives adjacent channel separation on all but powerful local stations where not more than 1½ channels would nor-



WAVERANGES

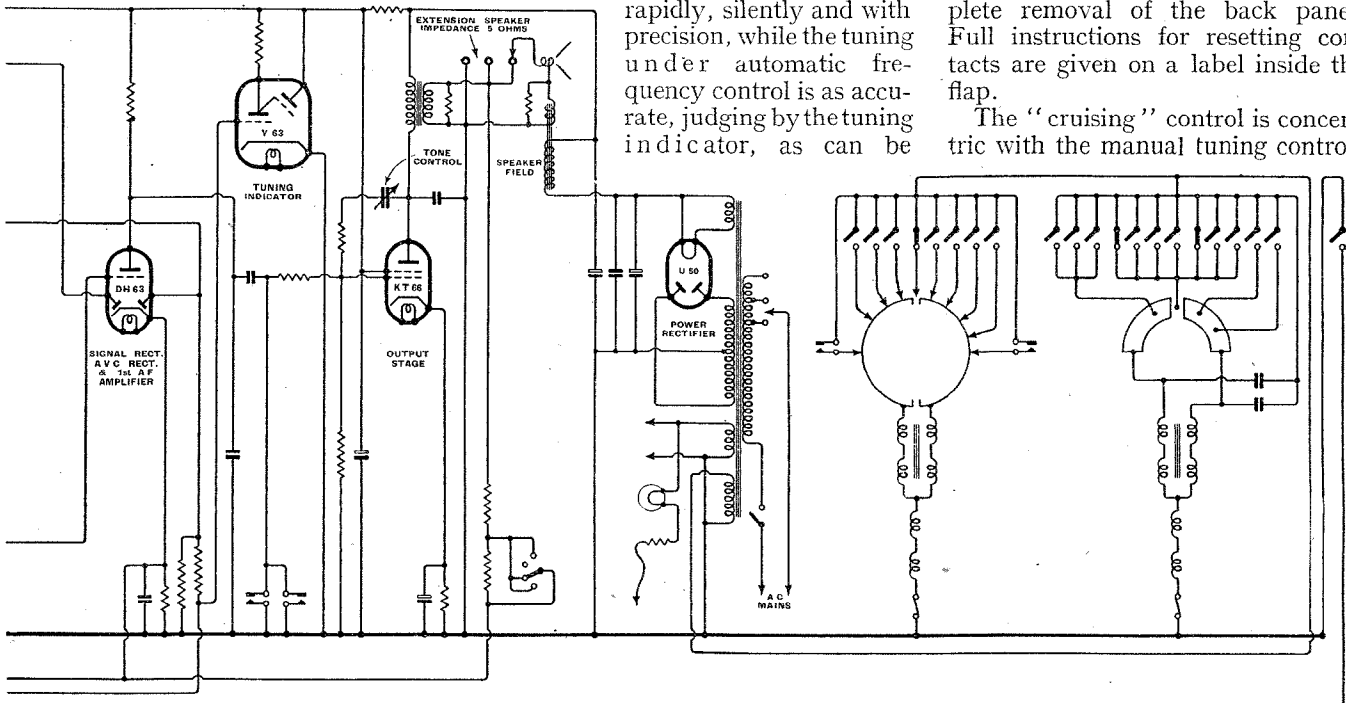
Short	16.5-51 metres
Medium	195-560 metres
Long	750-2,000 metres

ally be lost on either side.

The waverange and station selector mechanism works rapidly, silently and with precision, while the tuning under automatic frequency control is as accurate, judging by the tuning indicator, as can be

driving the waverange selector and the station homing drum. The latter is provided with a test lamp and lead for adjusting push-buttons to new station settings. Access to the station selector drum is facilitated by a hinged flap which avoids the complete removal of the back panel. Full instructions for resetting contacts are given on a label inside the flap.

The "cruising" control is concentric with the manual tuning control,



and small musical combinations is not lacking. In particular, the set handles pianoforte tone and transients faithfully.

On all wavelengths the receiver shows a uniformly high overall sensitivity and an ability to bring in distant stations with the minimum of

achieved by manual tuning. Incidentally, the electron tuning indicator is adjusted to give a high degree of sensitivity on weak signals without prejudicing its effectiveness on the local station.

Constructional Features.—Separate motors are employed for

and under motor drive the full length of the scale is traversed in six seconds. A ratio of 64 to 1 is provided for the manual drive, which is very comfortable to handle when tuning in short-wave stations.

Makers.—The Gramophone Co., Hayes, Middlesex.

Current Topics

RECENT EVENTS IN THE WORLD OF WIRELESS

TRANSMITTING GEAR

P.M.G. Controls Supply, Possession and Operation

THE Postmaster-General has issued orders under the Defence Regulations prohibiting, except under the authority of a Post Office permit, the supply or acquisition of wireless transmitters—telegraphy, telephony, television, navigational beacons, etc.—transmitter-receivers, and certain apparatus which may be used as parts of transmitters.

HF inductors, spark coils, quenched and rotary spark gaps, line carrier telegraph and telephone equipment, valves capable of an anode dissipation exceeding 10 watts, quartz crystals and HF equipment capable of generating frequencies higher than 10,000 c/s are included in the list of apparatus, the supply or acquisition of which is prohibited by this Order, which came into force on November 25th.

A further Order, which came into force on December 15th, prohibits the possession of transmitters. By this Order no person, unless holding a special permit granted by the Postmaster-General, is allowed to possess or have under his control any type of transmitter or transmitter-receiver, or apparatus capable of being assembled as a transmitter. A third order concerns the use of transmitters.

Applications for permits should be made to the Engineer-in-Chief, Radio Branch, General Post Office, Harrogate, Yorkshire, on forms which may be obtained at any Head Post Office.

The penalties for the infringement of these regulations, which apply to the whole of the United Kingdom, include imprisonment up to two years, or a £500 fine, or both.

CRYSTAL SETS

Popularity in Germany

THE popularity of the crystal set is growing in Germany. The reason for this is said to be the unobtrusive manner in which the set works. The usefulness of the crystal set is increased by the employment of high-power transmitters. Some difficulty is experienced in the matter of selectivity, but with a good aerial and a favourable situation, a crystal set can be quite satisfactory.

The price of crystal sets, without earphones, in Germany is at present equivalent to approximately 5s. at par.

NATIONAL WIRELESS REGISTER

More Openings

THE National Wireless Register inaugurated by *The Wireless World* has, we understand, proved to be of great value to the three services, and entrants are still being placed.

There are vacancies still for amateur wireless operators who wish to enlist in the Army for duty with the Royal Corps of Signals. Men aged from 23 to 55 years who are not in Government service or who have not already enrolled in the National Wireless Register can be considered. Full particulars can be obtained from the Secretary of The Wireless Telegraphy Board, c/o The Admiralty, Whitehall, London, S.W.1.

Provided that volunteers have some knowledge of morse operating, it is not essential that they should have attained a high degree of skill, as facilities for practice and training will be available after enlistment.

For those with general wireless qualifications who have not yet enrolled in the National Wireless Register forms are still available from the above address.

COMMERCIAL SHORT-WAVE BROADCASTING

THE National Broadcasting Company of America has introduced commercial broadcasting from its international short-wave stations WRCA and WNBI. Programme time is available to sponsors for the full period of the stations transmitting period—sixteen hours a day.

Increased interest in international broadcasting has been stimulated by the war, and American business concerns anxious to take advantage of this to develop their oversea markets are negotiating with the N.B.C.

The six-language service covers Europe from 2 to 9 p.m., G.M.T., and the twenty Latin American countries from 9 p.m. to 6 a.m., G.M.T.

RADIO RESEARCH AT THE N.P.L.

AN Abstract of Papers published by members of the staff of the National Physical Laboratory during the year 1938 has just been issued by H.M. Stationery Office at 1s. net (postage extra). A section of the publication deals with wireless subjects.

WIRELESS WATCHES

British Merchant Ships

A RECENT order made by the Lords Commissioners of the Admiralty laid down rules regarding the keeping of watches by wireless operators on board British merchant ships which, if at sea more than eight hours, must carry two operators.

In the absence of other instructions a continuous watch must be kept when three or more operators are on board. A continuous watch must also be kept if only two operators are carried and the time at sea does not exceed forty-eight hours. If, however, the hours do exceed forty-eight, a watch of sixteen hours a day must be kept. An eight-hour watch must be provided where one operator only is available.

CANADA'S S-W STATION

Britain's Second Line of Defence

ALTHOUGH the Canadian Broadcasting Corporation has, for reasons of economy, decided to shelve the proposed extensions and improvements to the Dominion's stations, there is every likelihood of the erection of a short-wave station.

Writing in the *Canadian Financial Post*, a correspondent points out that Canada could, by short waves, ensure coverage for a large part of the world. "It is contended," says the writer, "that in broadcasting, as in other spheres of war, Canada should be the second line of Britain's front."

In 1938 and 1939 representations were made by the C.B.C. to the House of Commons urging the necessity for the provision of a short-wave station, and although the special Parliamentary Committee unanimously agreed to the plan, its recommendations have not yet been implemented by Parliament. The primary objection was the expense, for it was estimated that it would cost \$400,000.

WIRED WIRELESS

IN order to remove the present legal disabilities preventing electricity undertakings from entering into agreements with concerns for the diffusion of broadcast programmes over their distributing mains, the Council of the Incorporated Municipal Electrical Association is considering a draft clause to amend the Electricity Acts.

BROADCASTING IN NEW ZEALAND

National and Commercial Systems

APPROXIMATELY 84 per cent. of the houses in New Zealand are equipped with wireless receiving sets. So opens the annual report of the Dominions National Broadcasting Services for the past financial year. At the end of the year under review there were 19,61 licences per hundred of the population, whereby New Zealand maintained its position of third in the world in respect of the density of licences to population.

The report is in two parts, one covering the National Broadcasting Service, which operates fourteen stations varying in power from 0.03 kW to 60 kW, and the National Commercial Broadcasting Service, which was then operating four transmitters.

In co-operation with the Railways Department a mobile station was built in a railway unit to undertake a tour of the major towns of the North Island.

SUPPRESSING TROLLEY-BUS INTERFERENCE

IN a recent paper on trolley-buses, which normally would have been read before the I.E.E., but was instead circulated to members, Mr. G. F. Sinclair, of the London Passenger Transport Board, spoke of the large-scale experiments carried out on London trolley-buses to reduce their electrical interference.

The system now in use includes only two liberally current-rated chokes, one in each of the two main master-controller feeds, in conjunction with a centre-tapped condenser filter connected across the line and chassis. The centre-tapped condenser filter is used to short-circuit the high-frequency potentials appearing between the trolleys and the chassis, and provides efficient suppression of interference within the wavelengths of 200 and 1,500 metres.

FRENCH LICENCE FEES

ON January 1st an increase will be made in the French wireless receiving licence fees. Owners of valve sets for domestic use will have to pay Fr.90 instead of Fr.50, whilst crystal receivers will be rated at Fr.15. The licence for receivers in public places used for free entertainment will be Fr.180, and those in buildings charging for admission will be rated at Fr.360.

SWISS BROADCASTING

SOME misunderstanding may have arisen from the note under the above heading in our November issue. The fact is that there are *two* broadcasting organisations in Switzerland. The commercial wireless telegraph and telephone concern, Radio-Suisse, is, as usual, operating the League of Nations station, Radio-Nations, and not the Swiss Broadcasting Company.

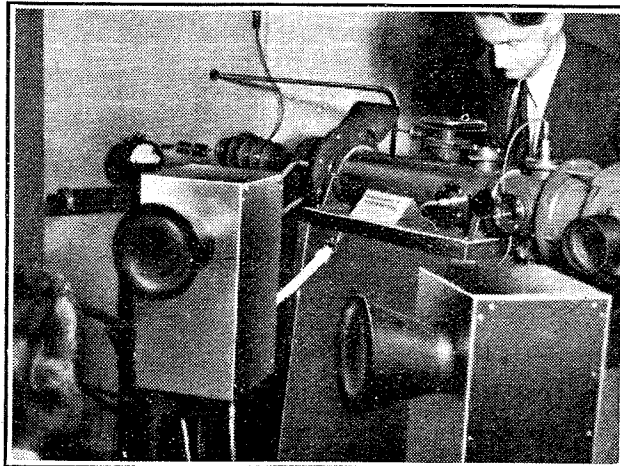
The broadcasting company which is licensed by the Government to operate the Swiss broadcasting stations has had its licence temporarily suspended, and has been taken over by the Ministry of Posts, Telegraphs and Telephones.

TELEVISION ON THE CONTINENT

ALTHOUGH the clock has been put back so far as television in England and France are concerned, there

are still countries on the Continent that are proceeding with its development. In Rome the regular daily transmissions are continuing and Berliners have once again had the opportunity of seeing television. It is understood that the Berlin trans-

The television scanning equipment demonstrated at the recent Swiss National Exhibition.



missions are by cable link to the television viewing rooms which were reopened, and it was announced that programmes would be relayed to similar public viewing places in other towns. There is, of course, no news of the standard receiver being marketed.

The Swiss National Exhibition at Zurich, which, like its immediate predecessor in 1914, heralded a war, provided an opportunity to demonstrate some television receivers, and an entirely Swiss-built television transmitter. The system uses the light spot from a cathode-ray tube, which, after passing through a lens, scans the object to be televised, and the lighted object is picked up by two light-sensitive cells. Throughout the Exhibition, which closed on October 29th, daily demonstrations were given on the six receivers in a darkened hall. The frequencies used were 45 and 41.5 Mc/s. It is thought that but for

the outbreak of war the transmitter would have been moved to a site on the hills surrounding Zurich for continued experiments.

FROM ALL QUARTERS

Nonagenarian

SIR AMBROSE FLEMING, F.R.S., the well-known pioneer, who by his experimental work with the Edison effect produced the first practical diode, celebrated his 90th birthday on November 29th.

Wireless-controlled Model Aircraft

A READER who is interested in the subject of wireless control of model aircraft would like to get into touch with others having similar interests and who preferably have reached the stage of putting their ideas into practice. Letters addressed to this office will be forwarded.

South Shields Marine School

THE principal of the South Shields Marine School, Dr. J. Hargreaves, announces the reorganisation of the wireless department to meet the increased demand for wireless operators for the merchant service. Students, who need not have a previous knowledge of wireless, must be at least sixteen years old. Day and evening classes are available for the course, which is from four to six months.

Indian Radio Exhibition

THE first All-India Radio and Science Exhibition will be held in the University Hall, Lahore, from December 27th to January 10th.

Gramophone Records

THE combination of the black-out and the single programme broadcast by the B.B.C. with inferior quality reception in many areas has stimulated an increased demand for gramophone records as a

Wireless World

Current Topics—

form of home entertainment. The October sales figures were 25 to 30 per cent. up on last year's results, and it has been calculated that for every hundred records purchased in November, 1938, 134 have been bought during November, 1939.

Educational Opportunity

A SPECIAL full-time day course in the principles of wireless and television, which will last about twelve weeks, is to be given in the Electrical Engineering Department of the City and Guilds College, London, S.W.7, from Wednesday, January 3rd. The number of students for the course, the fee for which will be £20, will be limited to thirty. Full particulars are obtainable from the college registrar.

Cossor

SIR LOUIS STERLING has been elected vice-chairman and managing director of A. C. Cossor, Ltd., Mr. J. H. Thomas having resigned his managing directorship. Mr. Thomas has also tendered his resignation as chairman of the R.M.A.

Egyptian Transmissions

EXPERIMENTAL transmissions are being radiated each evening between 6.30 and 8.30 G.M.T. on a frequency of 7.865 Mc/s (38.14 metres) from the new 10-kW Egyptian short-wave station.

The G.E.C. Journal

THE General Electric Company has decided that during the war the G.E.C. Journal will be published twice a year instead of quarterly. The next issue will appear in February.

For the B.E.F.

EDISWAN are sponsoring a series of concerts broadcast from the Radio International station on 212 metres on Sundays from 3.45 to 4 and from 6.15 to 6.30 p.m. The concerts form part of a series approved by the French Government the aim of which is to provide "home atmosphere" for the British troops in France.

R.C.A. Profits

AN increased profit of nearly \$300,000 was made by the Radio Corporation of America and its subsidiaries during the third quarter of 1939 as compared with the same period of 1938. The net profit for the first nine months of the year, however, has dropped by nearly \$80,000 as compared with the first three quarters of 1938.

NEWS IN ENGLISH FROM ABROAD: Regular Short-Wave Transmissions

Country : Station	Mc/s	Metres	Daily Bulletins (G.M.T.)	Country : Station	Mc/s	Metres	Daily Bulletins (G.M.T.)
America				Russia			
WNBI (Bound Brook) ..	17.78	16.87	2.0‡, 3.0 a.m., 4.0‡, 5.0.	RNE (Moscow) ..	12.00	25.00	9.30, 10.30, 12 midnight.
WRCA (Bound Brook) ..	9.67	31.02	3.0 a.m., 5.0.	RW96	6.03	49.75	8.0, 10.30, 12 midnight.
WCBX (Wayne) ..	6.17	48.62	6.55 a.m.		9.52	31.51	8.0, 10.30.
	9.65	31.09	4.0 a.m.		15.18	19.76	8.0 a.m.
	11.83	25.36	1.55 a.m., 2.45 a.m.†, 8.30*,	RKI	7.51	39.89	9.30, 10.30.
			9.55‡, 10.50, 11.30.		15.04	19.95	12.0 midnight.
	15.27	19.65	6.30‡.	RAL	9.60	31.25	8.0, 9.30, 10.30, 12.0 mid-
	21.56	13.91	1.0, 2.0†, 4.0*†.				night.
WGEO (Schenectady) ..	9.53	31.48	8.30‡, 9.55, 11.25‡.	RWG	7.36	40.76	9.30‡, 10.30‡.
WGEA (Schenectady) ..	15.33	19.57	5.0, 9.55, 10.15‡.	—	8.06	37.22	8.0.
WPIT (Pittsburg) ..	11.87	25.26	3.0 a.m., 11.45.	—	11.64	25.77	11.0 a.m.
	15.21	19.72	2.0‡, 4.0‡, 5.0, 6.0.	—	11.90	25.21	9.30, 10.30‡.
	21.53	13.93	1.0‡, 2.0.	Japan			
WCAB (Philadelphia) ..	6.06	49.50	11.30 (11.45 Wed., Thurs.,	JZJ (Tokio)	11.80	25.42	8.5.
			and Sat.).	JZK	15.16	19.79	1.15 a.m.
	9.59	31.28	1.55, 4.0, 6.55 a.m., 11.30	JYW	7.25	41.34	8.5.
			(11.45 Sun., Tues. and	China			
			Fri.).	XGOY (Chungking) ..	11.90	25.21	10.0.
	15.27	19.65	5.15, 7.0, 11.0.	Spain			
WRUL (Boston) ..	8.04	49.67	11.0‡.	FETI (Valladolid) ..	7.07	42.43	7.45.
	11.73	25.58	4.0 a.m., 8.0.	EAQI (Madrid) ..	9.86	30.43	3.25.
	11.79	25.45	8.30.	Australia			
Italy				VLR (Melbourne) ..	9.58	31.32	8.45 a.m. (9.20 a.m. Sun.),
I2RO3 (Rome)	9.63	31.15	12.30 a.m., 6.18, 9.15.				12.30 (12.15 Sun.).
I2RO4	11.81	25.40	12.30 a.m., 11.0 a.m., 3.55,	VLR3	11.88	25.25	2.20 a.m., 8.30, 10.30.
			6.18.	Finland			
I2RO3	15.30	19.61	12.30 a.m., 3.55.	OFD (Lahti)	9.50	31.58	8.0 a.m., 9.40, 11.30.
I2RO8	17.82	16.83	11.0 a.m.		15.19	19.75	8.0 a.m., 9.40, 11.30.
I2RO9	9.67	31.02	11.16.	Hungary			
IRF	9.835	30.52	12.30 a.m.	HAT4 (Budapest) ..	9.12	32.88	12.15 a.m.
IQY	11.76	25.70	12.30 a.m.	—	15.34	19.35	2.15‡.
France				Portugal			
TPB6 (Paris-Mondial) ..	15.13	19.83	8.15 a.m.	—	3.71	80.80	8.0 (Tues., Thurs. and Sat.)
TPB11	7.28	41.21	7.0.	Turkey			
TPA2	15.243	19.68	11.0 a.m., 7.0.	TAP (Ankara)	9.46	31.70	8.15.
TPA4	11.718	25.60	1.30 a.m., 4.30 a.m., 5.15 a.m.	Rumania			
TPB7	11.885	25.24	3.0 a.m., 8.15 a.m., 7.0.	—	9.28	32.33	9.45‡.
Ireland				Manchukuo			
Athlone	9.59	31.27	5.45, 9.0 (9.5 Sun.)	Hinsking	11.77	25.48	2.50, 6.30, 9.0.
	17.84	16.82	5.45, 9.0 (9.5 Sun.)	Newfoundland			
Germany				St. John's	9.48	31.64	10.30.
DJA (Zeesen)	9.56	31.38	5.15, 7.15, 11.15.				
DXB	9.61	31.22	9.15 a.m., 10.15 a.m., 2.15				
			7.15, 8.15, 9.15.				
DJB	15.20	19.74	10.15 a.m., 2.15.				
OLR5A (Podébrady) ..	15.23	19.70	7.50.				
SP48 (Warsaw) ..	6.11	48.86	7.45.				
Yugoslavia							
YUA (Belgrade) ..	6.10	49.18	9.0.				
YUC	8.50	31.56	9.0.				

All times are p.m. unless otherwise stated.

* Saturdays only.

† Sundays only.

‡ Sundays excepted.

New Ideas

RECENT ADVANCES IN WIRELESS TECHNIQUE

Flexible Glass Insulation

AN IMPORTANT DEVELOPMENT IN COIL CONSTRUCTION

IT is well known that glass forms one of the most reliable of insulators, and it has been widely used in electrical work of all kinds, including radio. For some time past experiments have been going on, chiefly in America, with the production of flexible glass for replacing cotton, silk, and similar substances as a means of insulating wire. A considerable degree of success has attended these experiments, and, according to a writer in a recent issue of *Electronics*, this new substance—usually known as fibrous glass—has already been employed to a considerable extent in power engineering work, and latterly it has been applied successfully to radio and other branches of high-frequency engineering.

This insulating material is made up of glass fibres of almost incredible tenuity; their diameter is only 0.0002in. The fibres can be produced either in short lengths or in continuous strands. Yarn made from these fibres is quite flexible and can be woven into tape or cloth suitable for replacing the customary silk or cotton covering of wires.

Coils wound with wire covered by this insulating material are able to withstand considerably higher temperatures, are less affected by corona, and resist moisture more effectively than the more conventional type. For a given current, the wire may be of much smaller cross-sectional area when using glass insulating material, since although the wire will attain a relatively high temperature it will not have the destructive charring effect which would be the case with cotton or silk. Consequently, it has been greatly employed in electric railway service, enabling small and light units to be used, a very important point in such a case. There are now twenty-five manufacturers of electric motors in the U.S.A. who can supply glass-insulated types.

In considering the possibilities of glass-insulated coils for radio work, it is worthy of note that with this type of insulation the American Institute of Electrical Engineers permit a much greater temperature rise than when cotton is used. The actual figures are 55 degrees Centigrade for cotton and 75 degrees for glass. Glass insulation is, of course, still too much of an innovation for much data to have been gathered by prolonged

experience. Laboratory experiments have, therefore, been conducted by dissipating heavy overload voltages of equal value through cotton and glass-insulated coils. The coils used were identical in every respect except that of insulation. It was found that, whereas the cotton coils failed after thirty minutes, the glass ones were still going strong after twenty-nine hours when the tests were concluded. This fact will give some idea of the value of this method of insulation.

As a result of the data obtained in these tests, it was possible to design glass-insulated anode chokes to take the place of cotton-insulated ones in certain transmitting apparatus, the new coils being required, of course, to dissipate the same wattage over the same radio-frequency band as the old ones. A useful comparison can be had by reference to the photograph of these choke

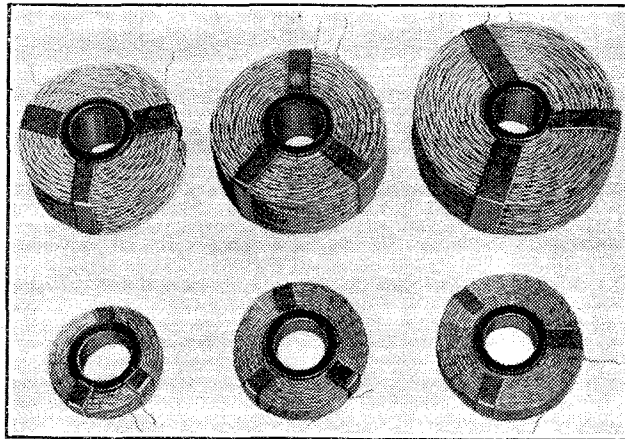
coils which accompanies this note. The small glass-insulated coils performed equally as well as their cotton counterparts, but were operated at a much greater internal temperature, which, by reason of the fact that the insulation used was glass, was, of course, quite immaterial. The weight of the glass coils was only 25 per cent. of the older type, the figures for diameter and length being 67 per cent. and 43 per cent. respectively.

Similar saving of weight and bulk, as well as the other advantages of glass insulation already men-

tioned, have been obtained in the case of other components. This has, for obvious reasons, proved of great value in aircraft apparatus. In addition, the much greater resistance of glass to moisture absorption is proving to be another very strong point in its favour.

Resistances and High Temperature

One of the most useful appliances of this fibrous glass insulation is in the construction of the various anode and other resistances of a modern receiver, which have to dissipate a certain amount of heat. Already, according to an article in *Communications*, glass-insulated resistances have been marketed specially for use in radio receivers. For a given wattage the resistances are considered more compact than the ordinary type. This is due simply to the fact that a much bigger temperature rise may be permitted without fear of charring the insulating material. Actually, it is claimed that these



Courtesy Electronics

A comparison between cotton-insulated and glass-insulated coils. The glass-insulated ones at the bottom have identical characteristics with their bulky counterparts above.

New Ideas—

resistances may be operated at red heat without damage, although, needless to say, this is ordinarily not done. This fact, however, has attracted the attention of manufacturers of such domestic devices as small electric irons and electric soldering irons.

New Midget Valves

STEP TOWARDS THE "POCKET" RECEIVER

IT would seem that the really portable broadcast receiver, with a weight and cubic content about a quarter that of the typical British product, has scored a big success in America. Still further reductions in weight and size are foreshadowed by the introduction by the Radio Corporation of America of a series of four miniature valves, with a diameter of rather less than three-quarters of an inch and an overall length of two inches. Of almost equal importance is the fact that these new valves are designed to operate efficiently on an HT voltage as low as 45.

The success of the small American portable is largely due to the use of dry cells for filament heating, and so it is not surprising that the new valves are designed for that form of LT supply, the filaments being rated at 1.4 volts, 0.05 amp. (except for the output pentode, which consumes 0.1 amp.).

An RF pentode (Type 1T4), pentagrid frequency changer (Type 1R5), a diode-pentode (Type 1S5), and a power output pentode (Type 1S4) comprise the series. The RF pentode is internally shielded, and, when used with a shielded holder, is stated to have a grid-to-anode capacity of no more than 0.01 $\mu\mu\text{F}$. A better performance than that obtained from a normal battery-type pentagrid frequency changer operated at 90 volts HT is claimed for the 1R5 worked at 45 volts. When used for its normal function as a second detector-AF amplifier, the 1S5 diode-pentode gives a much greater gain than a diode-triode. An output of 50 milliwatts at 10 per cent. distortion is obtained from the pentode with an anode current of only 3.5 mA. at 45 volts.

Constructionally, the new miniature valves are of the single-ended glass type, without a top cap, and the lead-out wires, which pass through a glass disc forming the base, act as contact pins.

Improving AFC

USE OF PERMEABILITY PRINCIPLE TO CONTROL FREQUENCY VARIATION

THERE are many methods by which automatic frequency control—or automatic tuning control, as it is sometimes called—can be applied to a receiver. One, which is of more than passing interest, has been developed by engineers of the Gramophone Company.

Referring to (a), the valve V1 represents the first AF valve in a superhet receiver, or any other valve which has no AVC voltage applied to its grid. A coil L2, connected in the cathode lead, is wound upon a core of high permeability. This core may be of mu-metal or iron dust. A second coil L3, wound upon the same core, is connected with the tank circuit of the local oscillator of the receiver. A third coil, L4, also wound on the same core, but in the opposite sense to L2, is so

connected that its DC polarisation is opposite to that of L2.

The current through L4 over a range of values usual in practice may be represented by $I_1 = m_1V + C_1$ where m_1 and C_1 are constants and V is the voltage of the HT supply to the valve. C_1 will be zero when L4 is fed directly through a resistance R1 from the HT supply, but, in general, it may be positive or negative, depending upon the position at which this third coil L4 is inserted in the valve circuit. Thus if L4 is connected between the

screening grid of the valve and the HT supply as shown in (a), C_1 may be a negative constant. If, on the other hand, L4 is connected to screening grid and earth, as shown in (b), C_1 may be a positive constant. If values of cathode current are plotted against HT voltage over the same range of values, a straight line will be obtained represented by $I_2 = m_2V + C_2$ where $I_2 =$ cathode current,

V = the voltage of the HT supply, and m_2 and C_2 are constants.

C_2 may be positive or negative, but, in general, will be negative.

If, now, n_1 represents the number of turns on L4, and n_2 represents the number of turns on L2, then the effective ampere turns are

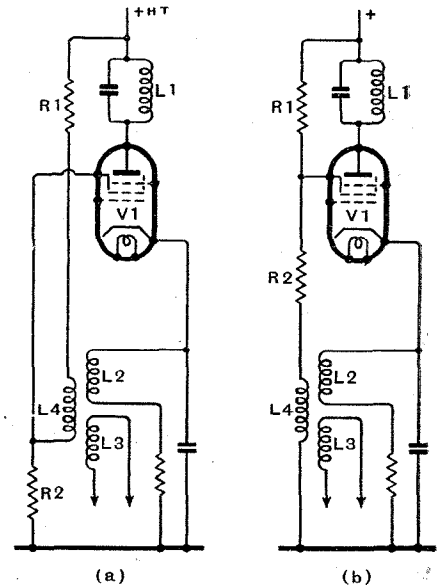
$$n_1(m_1V + C_1) - n_2(m_2V + C_2) \\ = (n_1m_1 - n_2m_2)V + (n_1C_1 - n_2C_2).$$

By so selecting the number of turns on the auxiliary coil and the first coil respectively, so that $n_1m_1 = n_2m_2$, the ampere turns may be made independent of variations in the supply voltage.

In the static condition the value of the ampere turns required will be determined by the characteristic of the iron core employed. Assuming this value to be denoted by θ , then there will be optimum values for n_1 and n_2 , which can be determined from the relations $n_1m_1 = n_2m_2$ and $n_1C_1 - n_2C_2 = \theta$.

It has been found that considerable improvement in stability with variations in the HT supply are obtained without selecting the optimum values for n_1 and n_2 .

This method can also be applied to deal with similar problems in connection with selectivity control by variable permeability.



These circuits differ solely in the relative positions of R1, R2, L4, and the connection of the screening grid.

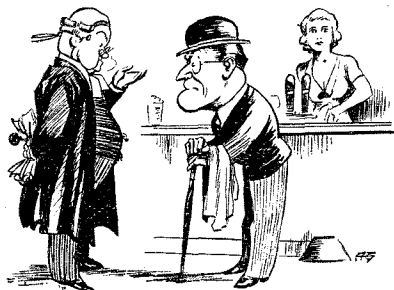
Unbiased

By FREE GRID

A Psychological Faux Pas

SINCE my earliest days I have always regarded judges and lawyers with the greatest respect as being people set apart from other men where learning and wisdom are concerned, and it has taken the war to disillusion me. The other day I happened to drop in at a well-known hostelry near the Law Courts to advise the landlord on a technical matter upon which he had consulted me. I was very astonished to find ensconced in the bar a very well-known barrister of my acquaintance, who on catching sight of me tried to dodge behind the barmaid, but on seeing that I had spotted him, he hastily informed me that he had come to give the landlord certain legal advice concerning the licensing regulations. Since my friend is definitely in the hundred guinea class where legal advice is concerned, I can only suppose that, as a result of the war, pubs. must be doing very well.

As my legal friend happens to be a very keen wireless amateur, and, of course, a reader of this journal, it was not unnatural that our talk drifted to wireless matters, and in



I asked for his opinion.

the course of our conversation I asked him for his considered opinion of an article in the December issue, as it contained a number of statements with which I profoundly disagree.

To my astonishment I found that not only had my friend not read it, but he had not even bought the last

issue of this journal. In response to my wondering enquiry he told me that he did not intend to be forced into putting his signature to any contract no matter how many contract forms the Editor tucked in among the pages of *The Wireless World*.

Thoroughly mystified, I asked him to explain himself. It appears that the November issue contained a form which readers were invited to fill up and hand to their newsagents, the aforementioned form being a request to reserve a copy of *The Wireless World* every month. My friend is, by virtue of his legal training, so wary of putting his signature to anything that he had preferred to miss his paper rather than commit himself as he thought to a permanent obligation.

The whole affair has rather upset me, as it occurs to me that if a legal luminary like my friend mistook this for a contract, ordinary citizens will certainly do so. These forms were supplied, of course, to enable the newsagent to know from month to month how many copies to order. This has become important because of the Government's restrictions on the use of paper which necessitates the strictest economy on the part of the publishers in the number of copies printed.

Even when I had convinced my friend that a form of this sort given to a newsagent, no matter whether verbal or written, did not imply any long term obligation, he was still loath to fill one in, but eventually agreed to accept my advice and speak to his newsagent, so that he could satisfy himself personally that he would be able to get his *Wireless World* and yet cancel the order any time he liked.

I have been able to show him, too, that by ordering all his papers in this way he is helping economy in paper, saving wastage in returns of copies printed in excess of requirements and helping the newsagent to avoid having papers left on his hands for which under wartime restrictions he will no longer be reimbursed.

Drift

A READER who has evidently taken up his pen in anger, asks me when British or any other wireless manufacturers are going to produce a receiver which is absolutely free from frequency drift. Frankly, I suppose that the answer is never. After all, why should we expect a wireless set always to remain constantly in tune any more than we do the piano? We all expect the



No mean pianist.

piano to be retuned from time to time, so why not the wireless set? If, of course, a wireless set is *always* requiring to be retrimmed there is something wrong with it, just as there is in the case of a piano that requires unduly frequent retuning.

This does not, however, alter the fact that every set ought to be retrimmed from time to time. Soon, I venture to say, the professional set-tuner or set-trimmer will pay regular calls to our homes just as pianotuners do now. I myself am no mean pianist, and I always retune my piano not only every time I play but every time the weather changes. My portable receiver, also, is retrimmed every time I take it from one room to another, just as a violin is retuned immediately it has been brought into the concert hall, no matter if it has been tuned immediately before coming into the hall. I mention this fact as some people are devoid of all ear for music and often mistake this tuning-up business for part of the overture. There is, perhaps, some justification for this,

Unbiased—

as it does bear a strange resemblance to some of the B.B.C.'s chamber music.

I do not think, therefore, that we can ever expect manufacturers to produce a set that never needs re-trimming; nor do I think that such a set would be altogether desirable, at any rate under present conditions, when so many European transmitters seem to be addicted to drift both in a radio and a rhetorical sense. What is desirable is a set which will drift in synchrony with

the drifting of the transmitter to which it is attuned.

Such a set, wonderful as it may seem, is already available, and has been available for some considerable time. I refer, of course, to the type of set which is fitted with automatic frequency correction. A moment's thought will make the fact clear that such a set will, and does, retune itself according to the exact frequency coming in from the transmitter. It not only corrects its own errors of drift, but those of the transmitters also.

The Empire Market

A UNIQUE OPPORTUNITY FOR BRITISH SET MANUFACTURERS

IT is surprising that a bigger effort is not being made at the present moment by British wireless manufacturers to increase the number of receivers sold abroad. Circumstances are now very favourable for British wireless sets to obtain a footing in many foreign countries as well as in the various parts of the Empire. There is a particularly large demand at the present time for broadcast sets capable of bringing in the news bulletins radiated by European stations in various foreign languages.

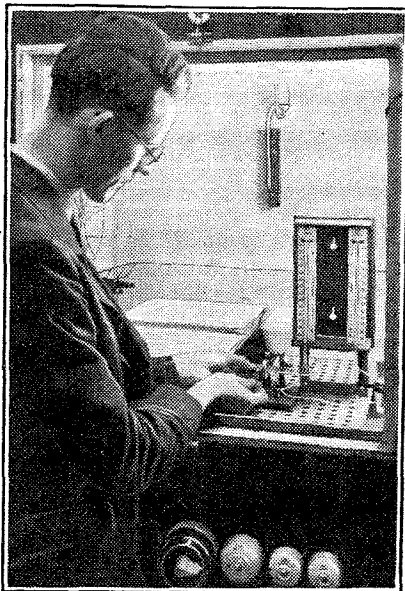
It might well be supposed that American radio manufacturers would not be slow to seize upon this opportunity, and such has been the case, but British manufacturers possess one advantage over their American rivals, and that is the favourable sterling exchange rate, which enables them to offer their products at competitive prices. This, coupled with the fact that such German competition as existed is now completely eliminated, puts the British manufacturer in a particularly favourable position.

The majority of receivers sold for use in non-European countries will be used in a tropical or sub-tropical climate, and it is, therefore, useless for manufacturers to attempt to export the ordinary all-wave sets which are made for use in this country. Receivers are required which incorporate components made of materials specially chosen to stand up to the climatic conditions which they are likely to meet with.

The climate of any country lying within 30 degrees or so north or south of the Equator may be summed up by the expression "heat and humidity," and special precautions must be taken

against it. The photograph on this page shows one of the special humidity testing cabinets established for this purpose by the G.E.C.—one of the few British firms to take its export business seriously. These cabinets are arranged so that not only can any desired degree of temperature and humidity be obtained, but also so that regular cyclic changes, such as would be experienced in a tropical country, are automatically brought about.

In addition, however, to special



Checking "climatic" conditions in the G.E.C. Tropical Test Cabinet.

tropical tests, the various parts of the receiver are subjected to very stringent ordinary tests, since it must be remem-

bered that sets sent abroad are often installed in places many hundreds of miles from the nearest service engineer. One of the most interesting of these tests is the pin-prick test for enamel-covered wire. The wire is fed slowly through a bath of mercury and a source of EMF is connected between the mercury and the wire. A pin-hole is instantly detected by the passage of a current which operates an automatic apparatus which counts the number of pin-holes in the length of wire under test.

Henry Farrad's Solution

(See page 91)

THE biasing resistor decoupling arrangement, consisting of the 2-mfd. condenser and 0.25-MΩ resistor, was quite adequate in the original circuit, because the impedance of the condenser even at the lowest audible frequency is so much less than 0.25 MΩ that the grid return is effectively to the cathode for signals, while going to -HT for the steady bias potential. Signal potentials set up across the 400-ohm biasing resistor by signal currents in the output circuit are therefore not fed back to the grid.

In the new circuit, however, the 0.25 MΩ is effectively short-circuited by the MHL₄ valve, the 1-mfd. coupling condenser, and the primary of the transformer. The signal potentials developed across the biasing resistor are also across the above circuit in series with the 2-mfd. condenser. As the primary of the transformer is certain to have a considerably greater impedance than the other three components combined, nearly all the negative feedback voltage appears across it, and is stepped up by the secondary before being applied to the grid. The negative feedback is therefore very heavy and the amplification greatly reduced.

Considered another way, if the previous stage produces a signal voltage of +1 volt (relative to -HT) at the junction of P and S, this is increased to +4 on the grid by step-up action. The resulting signal current might amount to a drop of +2 volts at the cathode. The grid voltage relative to the cathode would then be -1 volt, causing a reversal of the above action until a condition of equilibrium, corresponding to a lower amplification, was reached.

The cure is either to revert to the old arrangement, or, if the extra gain is wanted, to decouple by shunting the bias resistor with a 25-mfd. or preferably 50-mfd. electrolytic condenser.

Letters to the Editor

THE EDITOR DOES NOT NECESSARILY ENDORSE THE OPINIONS OF HIS CORRESPONDENTS

The Soldier's Set

WITH reference to the Editorial Comment in the December issue on the problem of devising a suitable portable set for use on active service, the following suggestion may be useful.

Bearing in mind that the chief objections to the typical portable set is its bulk and weight, let the principle of unit construction be introduced into this field. So that, divided into, say, two units, the portability problem is solved.

The first unit could contain the frame, RF and detector stages, with the necessary HT and LT batteries, and would be a complete receiver in itself for the use of one person listening with headphones. Dry-battery LT is essential, but this is a simple matter—two "point one" valves in series from a $4\frac{1}{2}$ -volt torch battery.

The second unit could be designed to provide for a group or community; that is, an LF amplifier and loud speaker to plug into the first unit instead of the telephones. This unit should also contain its own HT and LT batteries, and might be of a single pentode stage, push-pull, QPP, or two triodes with series filaments and parallel anodes.

The units should be contained in strong, light wooden cases of similar size, say, 13in. by 13in. by 4in., with a carrying strap.

With a carefully made RF unit, the 12in. frame has very good reaching-out qualities, but provision should be made for the use of aerial and earth.

Four or five years ago I made a headphone set similar to the first unit mentioned above, all contained in a 12in. record-carrying case. The absence of a heavy and messy accumulator made it a joy to carry and handle. Only the medium wavelength was used, and I would suggest the same band only in a service set so as to avoid extra coils and switching, and increase efficiency on the band used.

I have, more recently, used a $4\frac{1}{2}$ -volt torch battery in a two-valve deaf-aid with filaments in series, and find that the larger size, such as the Ever-Ready No. 295, has a long and useful life, the valves only taking about a third of the current used by a torch bulb.

Manufacturers are, as a rule, reluctant to embark on new and untried ideas, but I feel sure that the units I have outlined above would be an answer to the quest for "Sets for Active Service."

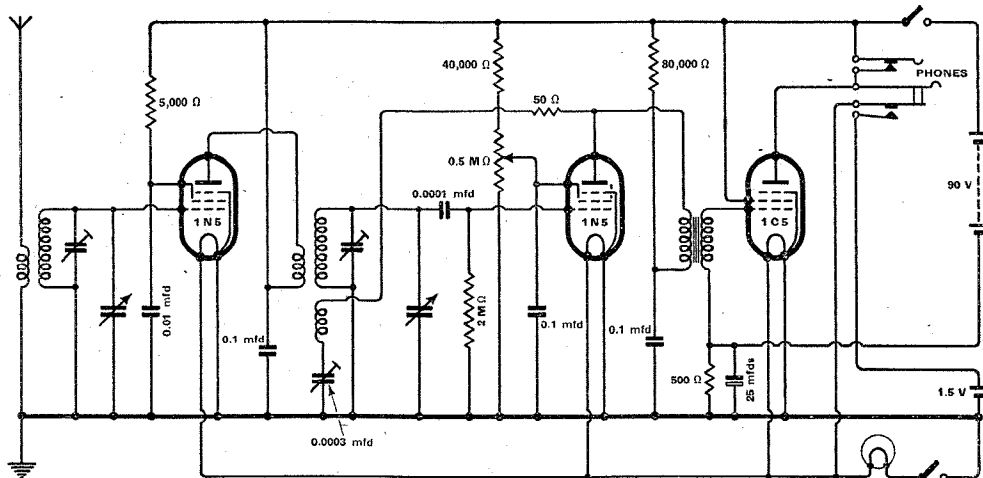
A. ADAMS.

London, S.W.1.

I WAS interested in your remarks about receivers for active service in the current issue. During the latter half of September I designed such a set, and a brief description may be of interest to your Service readers.

The set uses a three-valve circuit, and, complete with batteries, is housed in a rexine-covered plywood case 12 by $4\frac{1}{2}$ by $4\frac{1}{2}$ inches. It fits nicely in the bottom of a Service pack and weighs two ounces under nine pounds. Extras are a pair of headphones (or a single earpiece) and a length of wire for the aerial.

The circuit is perfectly straightforward. Eddystone 4- and 6-pin coils are used and the valves are of the 1.4 volt type running off a single dry cell. The HT battery (for which I hope I shall be able to get a replacement)



Captain Horniman's set: "It fits nicely in the bottom of a Service pack."

is a Drydex type X394A, 90-volt unit. The 2-gang condenser is a Bulgin CV22. Reaction control is by detector screen potentiometer, the reaction condenser being preset; the HT switch is ganged to the potentiometer.

In order to keep dimensions to a minimum, the valve holders for the two 1N5 valves are sunk about $\frac{1}{4}$ inch in the chassis. The inside of the front and bottom of the case is lined with copper foil.

W. D. HORNIMAN, Capt.

AS one who served in the last war and is now in the wireless industry, I would like to respond to the invitation in your Editorial. Perhaps some expressions of opinion will help any set manufacturers who are considering the production of sets specially intended for those on active service.

In 1914-1918 a portable gramophone was the most treasured possession of almost every unit right up to the infantry company headquarters in the line. Apart from the obvious requirements of compactness and ability to

Letters to the Editor—

stand rough usage, a suitable set should include these features:—

- (1) All dry batteries.
- (2) Some sort of open aerial can always be fixed up with an improvement in the performance by comparison with a frame aerial.
- (3) A loud speaker rather than headphones is practically essential because, whereas the individual has not enough "luggage allowance" for even the smallest set, transport can be "wangled" by a group.
- (4) It is important that the set should tune to 212 metres, the wavelength of the new "Radio International" station.

(5) The set must be definitely non-radiating, as sooner or later sets which disclose their position to sensitive DF apparatus are bound to be forbidden in forward positions.

Possibly arrangements could be made to sell suitable sets as well as replacement batteries and valves through the N.A.A.F.I.

H. G. AYTOUN KAY.

The Benjamin Electric, Ltd.
London, N.17.

AFTER reading the Editorial Comment and correspondence columns of the December 1939 issue of your valuable paper, I have formed the following conclusions as being necessary in any receiver suitable for entertaining the soldiers on service, especially those in France:—

- (a) Receiver to be of the 3-valve TRF type.
- (b) Headphones to be used, each receiver being able to operate a number of pairs.
- (c) Waverange 200-550 metres.
- (d) Frame aerial with provision for outdoor wire of the "Throw-out" type.
- (e) Dry-battery operation both for HT and LT.
- (f) Lightweight construction in all respects.

These features incorporated in a suitably designed receiver, would, in my opinion, provide a soldier with means of entertainment from the Home Service programme after dark (when, presumably, most listening would be done) and during daylight from the Radio International station.

Although additions and refinements of many varied types could be used, it is very doubtful whether these would be of any great use to the persons required to be entertained!

Perhaps these few details, together with those of other readers, may solve what is quite a problem.

Thanking you for keeping up the fine qualities of *The Wireless World*.

KEN. G. PAYTON.

West Bromwich.

IN response to the Editorial Comment in your December issue regarding small portable receivers, may I offer a few ideas?

I have carried out some experiments with midget sets and find that a very convenient solution to the HT supply problem is to use a small power valve for the detector, as this type of valve will oscillate on an HT supply of nine volts or so. I made up a midget set

in a box 6 inches by 4 inches by 2 inches, using a Tung-ram P220 and a midget iron-cored coil with two 1½-volt unit cells in series for the low-tension supply. With this set, using 18 volts HT and an indoor aerial, good reception of three English stations (before the war) was obtained from the Spanish border of France. In England, the Home Service and several foreign stations were received at very good headphone strength using a very much smaller coil and a good outdoor aerial. An AF pentode may be used, but the HT consumption will be greater and the results are not appreciably improved.

If any reader would like further details of this type of set, I should be very glad to supply them.

Headley, Bucks

G. N. S. TAYLOR.

Public Listening

From our former Berlin Correspondent

ALTHOUGH I have been a contributor to your pages since 1926, this is the first time that I have asked for space in your correspondence columns. My reason for doing so is to bring to your notice a matter that is of particular importance in times of crisis and war.

In the course of my travels on the European Continent in the past few years I have found that in a large number of countries it has become the usual custom to place radio receiving sets in as large a number of places accessible to the general public as possible. Nearly all the countries in Europe nowadays use the broadcasting system as a means of direct communication between the authorities and the people. Famous men often address the people in this manner. Very often these speeches are held at a time when some part of the population is engaged in work or otherwise not at home; people on the streets or on their way to a restaurant. In many European countries they have the opportunity of listening to the radio either at the door of a radio dealer's shop or at the doors of, and inside, department stores, or in a restaurant, café, or hotel.

In Switzerland almost every winter sports hotel has a radio set, and the guests foregather to listen eagerly to the news in these exciting times.

In Britain, obstacles seem to exist which prevent any public dissemination of news bulletins and speeches (except in special cases) in places generally frequented by the man-in-the-street. This seems a pity. The opportunity ought to be given for people who are away from home to listen to important news in hotels, cafés, and restaurants. It is not necessary to go to the lengths which prevail in Germany that all service and eating have to cease when the news is "on," but it seems that the public ought to have some easy means of listening-in when in town.

I had an interesting experience last March when I was in London on a visit. The Prime Minister was to make an important speech. It was impossible for me to listen-in in any public place. I had to pay for admission to a News Theatre that was relaying it. Unfortunately, that News Theatre had weak reception during the first half of the speech, and later, when speech became louder, there was considerable electrical interference.

A. A. GULLILAND.

Cathode By-pass Condensers

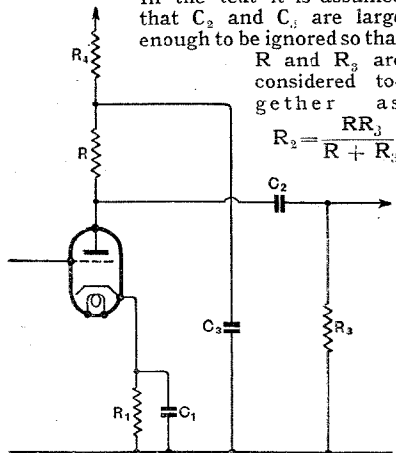
SIMPLE METHOD OF SELECTING VALUES

By W. T. COCKING

THE choice of the value for the cathode bias resistance by-pass condenser is often made largely by guesswork backed by experience, and this is in spite of the fact that it is by no means difficult to calculate. The value needed for a given drop in response at low frequencies, however, depends on many factors. The anode AC resistance and amplification factor of the valve, as well as the bias resistance and coupling resistance, play their part.

Fig. 1 shows a typical resistance-coupled stage, and in what follows it is assumed that C_2 and C_3 are large enough to be neglected over the range of frequencies considered. Then we need not take the decoupling resistance R_1 into account, and we can consider R and R_3 together as a resistance $R_2 = RR_3 / (R_2 + R_3)$. With a triode valve having an AC resistance R_a and an amplification factor μ , we can find the best value of capacity C_1 for our purpose with very little computation with the aid of Fig. 2.

Fig. 1.—The basic circuit of a resistance coupled stage. In the text it is assumed that C_2 and C_3 are large enough to be ignored so that R and R_3 are considered together as



In the case of tetrodes and pentodes, R_2 is usually small compared with R_a , and can be ignored in comparison; also, μ is very large compared with unity. With these valves, therefore, we can substitute the simpler expression gR_1 for $\frac{R_1(1 + \mu)}{R_2 + R_a}$ with negligible error. If the screen of the valve is well decoupled to cathode, g is the normal mutual conductance (in amperes per volt); on the other hand, if the screen decoupling is returned to negative HT, as is more usual, g is the mutual conductance with screen and anode strapped. This figure is not usually quoted, but in general it is not very different from the normal one; it may be about 20 per cent. higher.

Capacity is obtained in farads, while resistance and frequency should be in ohms and cycles per second respectively.

A Typical Example

As an example, consider a triode with $\mu = 40$, $R_a = 15,000\Omega$, $R_2 = 50,000\Omega$, and $R_1 = 2,000\Omega$. What should be the value of C_1 for a drop in response of 0.5 db. at 25 c/s?

We have $\frac{R_1(1 + \mu)}{R_2 + R_a} = \frac{2,000(40 + 1)}{15,000 + 50,000} = \frac{82}{65} = 1.26$; from Fig. 2, $\omega C_1 R_1 = 5.55$, therefore $C_1 = 55.5 / (6.28 \times 25 \times 2,000) = 1.765 \times 10^{-5} \text{ F.} = 17.65 \mu\text{F.}$

Now take the case if a pentode

with $g = 9 \text{ mA/V.}$ and $R_1 = 100\Omega$. We have $gR_1 = 0.9$ and $\omega C_1 R_1 = 4.5$; consequently, $C_1 = 287 \mu\text{F}$ for the same frequency and response as before. This is a very large, but not impossibly large, capacity; the need for care in using valves of high mutual conductance is evident.

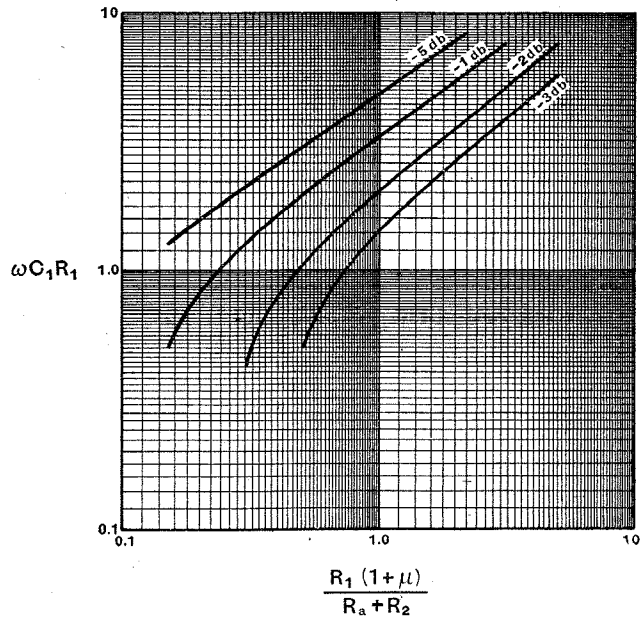


Fig. 2.—These curves enable the value of $\omega C_1 R_1$ to be readily determined for the selected drop in response. Their use is explained in the text.

BOOKS RECEIVED

Look After Your Car. By the Technical Staff of *The Autocar*. Pp. 116. Published by Iliffe & Sons Ltd., Dorset House, Stamford Street, London, S.E.1. Price 2s. 6d. net, by post 2s. 9d.

Car maintenance described in simple non-technical language for the benefit of the average owner-driver. Where necessary, instructions for carrying out the various operations are supplemented by photographs.

Photograms of the Year, 1940. Edited by F. J. Mortimer, Hon. F.R.P.S., Editor of *The Amateur Photographer and Cinematographer*. Published by Iliffe & Sons Ltd., Dorset House, Stamford Street, London, S.E.1. Price 5s. (paper covers); 7s. 6d. (cloth bound), postage 6d.

This annual publication, which has now been in existence for upwards of half a century, has once more made its appearance. It contains nearly one hundred photographs and also articles from the pens of leading workers.

DON'T BE TIED TO ONE ROOM RADIO

Do you frequently miss interesting items on the radio because you do not happen to be in the room where your receiver is installed? Then you need an extension speaker. Stentorians are generally chosen because of their quality of reproduction, their handsome cabinets and their very moderate cost. Don't be tied to one room radio any longer. Your dealer will gladly demonstrate.

Reprinted from
"Wireless World,"
November.

Finally there is a question of comfort and convenience in listening which under war-time conditions assumes greater importance than in normal times. One or two suitably-disposed extension speakers can make a world of difference in this respect.



Stentorian

The perfect extra speaker for any set.

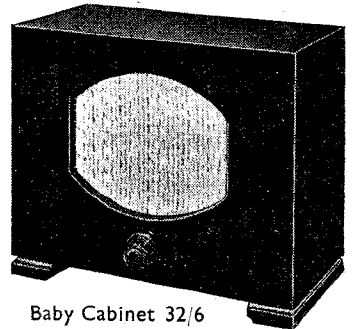
WHITELEY ELECTRICAL RADIO CO., LTD., MANSFIELD, NOTTS.

CHASSIS MODELS

Senior	- -	46/3
Junior	- -	35/9
Baby	- -	26/-
Midget	- -	19/3

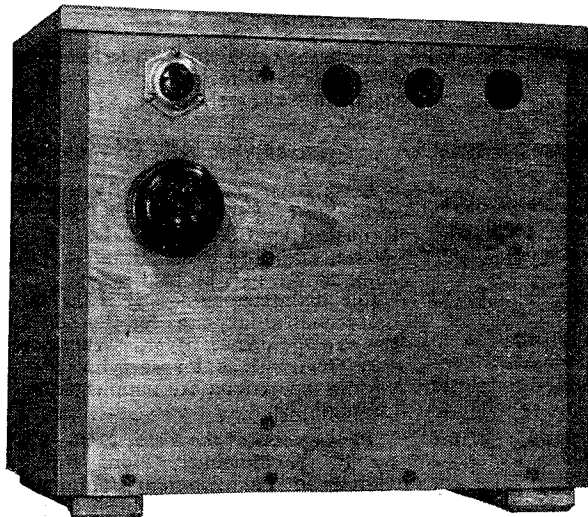
CABINET MODELS

Senior	- -	69/3
Junior	- -	54/6
Pendant	- -	54/6
Cadet	- -	43/6
Handy	- -	21/6



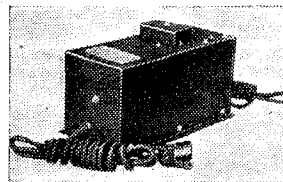
Baby Cabinet 32/6

HAPPY NEW YEAR TO EVERYBODY



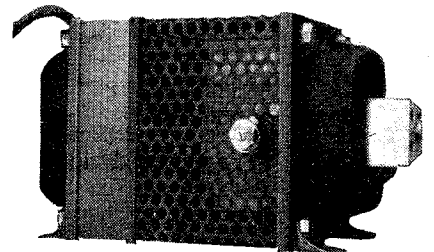
Obvious New Year Resolutions:—

- 1 To Win the War as fast as possible.
- 2 Buy one of SOUND SALES latest Battery Chargers or Reserve Lighting Equipments, which will keep your car battery always charged, ensuring an instant start, even if you can only get enough Petrol for weekends—or to keep the "Dug-out" cheerful if you need to use it (we hope you don't).



- 3 To get as much fun as we possibly can out of the cheapest form of entertainment, and the most direct form of news . . . RADIO! You can be assured of clear cut speech, and music at its best from SOUND SALES Dual Suspension Auditorium Speaker—"the speaker without a dialect," especially when used in conjunction with the latest S.S. Single H.F. Quality Feeder Unit, and the famous 346 type 6 watt Amplifier—TOTAL COST WITH SPEAKER £20, PLUS 10 PER CENT.

STOCKED BY ALL
THE BEST MOTOR
AND
RADIO DEALERS



The illustrations show the latest S.S. Auxiliary Lighting Equipment with self contained battery charger and car self starter battery, PRICE £4. The new Autocharger which charges 12v, 6v, or 2 volt batteries at 1 amp., PRICE £2, and lastly the self contained "Challenge" Charger with an output of 6v at 1/2 amp. for charging 6 volt batteries, at the attractive price of 27/6. May we send YOU further details of these items? Together with our latest catalogue and technical manual PRICE 6d.

SOUND SALES LTD.

WEST STREET · FARNHAM · SURREY
Telephone: Farnham 6461-2-3
Contractors to the Air Ministry, War Office, Admiralty, G.P.O., B.B.C., etc.

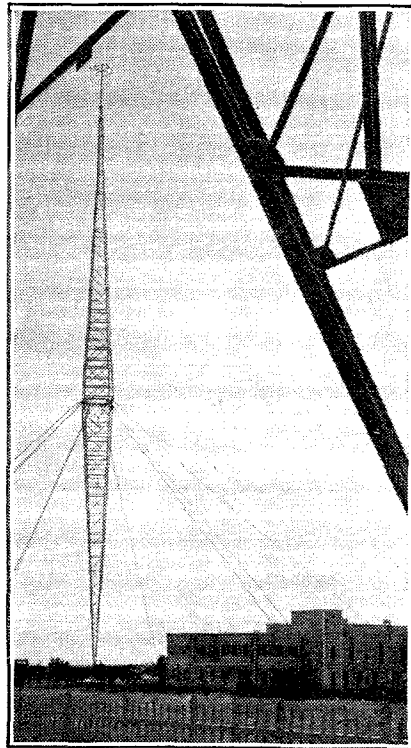
Aiming Aerials

HOW THE ANGLE OF RADIATION CAN BE CONTROLLED TO SUIT THE PURPOSE

By "CATHODE RAY"

THERE is one matter connected with aerials that appears to give some readers trouble, so I am continuing my comments on the subject. It is "low-angle radiation" and "high-angle radiation," so often referred to in discussing fading, reception over long distances, new transmitters, and so on. In dealing with aerials in general I mentioned that the directions in which they radiate—or pick up—can be controlled, but did not go into details. Obviously in communicating between two fixed stations, as distinct from broadcasting, it is an advantage to concentrate radiation in a beam towards the receiving station instead of scattering it all around. Even in broadcasting it is sometimes desirable to confine radiation within certain angular limits—at the Start Point station, for example, where the area to be served lies wholly on the northward side.

What may not be so obvious is the desirability of controlling the angle of radiation in a vertical plane, that is to say, the angle between ground level and skywards. It might seem at first sight that the proper thing to do is to radiate horizontally only, except perhaps for stations sending to aircraft. That is quite correct so far as receivers within a moderate radius are concerned. Radiation sent at any upward angle is just wasted. For listeners at a rather greater range (I'm sorry to be so vague, but the limits are not exact, and anyway they vary with the wavelength) upward radiation is worse than wasted, because at that distance it has been reflected by the upper layers of the atmosphere and has come to earth again. "The more the merrier," you may say; but it is not quite so simple as that. The downcoming sky waves may



strengthen reception coming direct over the surface; but as waves are not waves unless they have both ups and downs, it doesn't follow. If the ups all coincide, well and good; but if the ups of one lot arrive in step with the downs of another—as may well happen, seeing they have tra-

actually happens is that the different lots of waves arrive at random, sometimes co-operating, sometimes conflicting; and reception varies from abnormally strong to nothing at all. AVC helps, up to a point, but can't supply what isn't there.

It is possible to distinguish a third zone of reception, because the ground wave is absorbed by the earth and by obstructions erected on it, until beyond a certain range it is too weak to count. The sky wave stands the journey much better, and, if circumstances permit it to be reflected to very distant parts of the earth, reception there may be quite strong. It is still liable to a certain amount of fading, however, because several sky waves, travelling by different routes, may conflict on arrival.

The three zones, then, illustrated in Fig. 1, are (1) the local service area, reception being by ground wave only, and therefore steady; (3) the long-distance area, the ground wave having died out, reception being possible only if the sky wave is reflected suitably, and is often subject to fading; and (2) the intermediate range, in which both waves are of comparable strength, so that fading is severe.

With medium broadcast wavelengths, the intermediate distance may be as near 30 miles (at the 200-metre end of the medium band), but is generally more nearly 100 or even farther at the 540-metre end. Increasing the power is not in itself really very helpful, because both ground and sky waves are equally strengthened and are liable to combine to give even bigger fades. But if the aerial can be designed so that the radiation previously sent upwards is thrown horizontally, the ground wave is correspondingly strengthened. That alone increases the range, but it is still

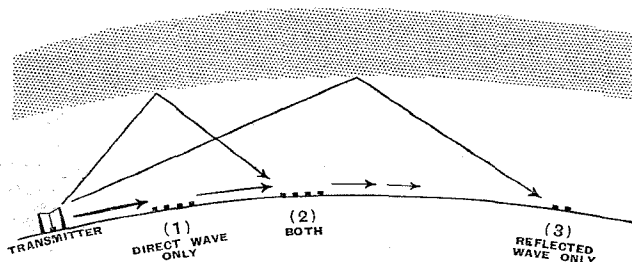


Fig. 1.—Illustrating the three zones of reception around a transmitting station.

velled different distances—the result is a partial or complete neutralisation, and reception fades. What

Aiming Aerials—

further increased by the elimination of the intermediate zone, because when the fading is eliminated by abolishing the sky wave it is possible

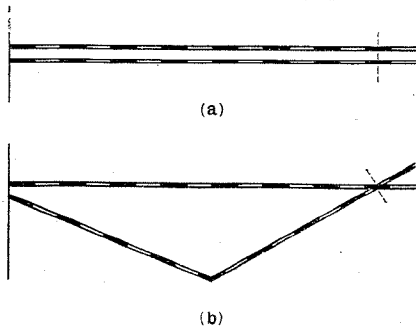


Fig. 2.—Interference between different sets of waves illustrated by alternately black and white strings. So long as they run parallel from the start all the blacks come together. But if they follow different paths black may conflict with white.

to get good reception with a weaker ground wave and hence at a greater distance. Low-angle aerials are therefore sometimes called anti-fading aerials. They might also be considered as anti-interference aerials, because elimination of the sky wave enables stations outside the service (zone No. 1) area to work on the same wavelength without being jammed by the downcoming radiation. Waves of medium length are not reflected to the ground at great distances, so are unsuitable for reaching zone No. 3. Medium-wave stations should therefore generally have low-angle aerials, to eliminate zone (2) and extend zone (1) as far as possible.

Long-distance Work

Short waves are very rapidly weakened by travelling over the ground, but are reflected to great distances. Here, then, is a case for avoiding horizontal radiation and concentrating on an upward angle that best suits the wavelength, range to be covered, and atmospheric conditions.

Altogether, there is a need for some means of concentrating radiation at whatever angle is most suited to the service to be given.

The ways of doing this are sometimes very complicated and sometimes quite simple—in principle, though not always in execution.

They are all based on the same thing that causes fading when two sets of waves combine—the fact that negative neutralises positive. It can be visualised by imagining strings with equal sections alternately black and white, to represent the positives and negatives, or crests and troughs of waves. One double section—black and white—represents one wavelength. If a number of strings are stretched parallel, each with black at one end, then black and white sections coincide all along the line (Fig. 2(a)). But if they travel different distances as at (b), angles are found where black comes alongside white, representing places where waves interfere and cancel out.

Up to the present we have taken for granted that the aerial itself is so small that the radiation spreads out from it as if it were a single point. But if its size is taken into account, then obviously radiations from different parts of it are going

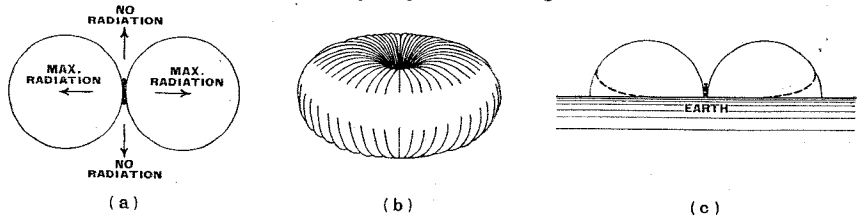


Fig. 3.—(a) Radiation diagram for a vertical aerial that is very small compared with the wavelength. Actually to present the whole picture, a solid diagram (b) is needed. When the aerial is earthed only the upper half exists, (c), and the diagram may have to be modified as dotted to allow for the imperfect conductivity of the earth.

to cause complications by interfering with one another.

Before we can see how this is going to work out, it is necessary to know what any single small part does on its own. For fundamental reasons, any such small section of aerial radiates most at right angles and none at all endwise. At intermediate angles the radiation is of intermediate strength. The usual way of showing this is by drawing a line around it at a distance proportional to the strength of radiation. Around the short vertical section the diagram is like Fig. 3(a). But this shows only the radiation to left and right, on the surface of the paper; to include what comes out at all other angles a solid figure like a depressed bun (b) must be imagined.

So a vertical aerial that is very short (compared with the wave-

length) radiates strongest horizontally all round, and not at all vertically; but the radiation at quite high angles is not so very much less than horizontally. Therefore, although fairly suitable for broadcasting, it is certainly not ideal. Incidentally, my preceding article will help to show that the same result is given if the lower end of the aerial is earthed, except that the downward half of the radiation is reflected and strengthens the upper half (c), and the imperfections of the earth may lead to modifications somewhat as shown dotted. Of course, if the aerial is suspended horizontally instead of vertically the radiation diagram must be turned with it, and then horizontal radiation is seen to be good broadside-on from the aerial, and nil from the ends.

There is not much departure from this state of affairs for any length of aerial up to about a quarter of the wavelength. But when it becomes

much longer the radiation from different parts of it begin to interfere very noticeably. To see this, just consider what happens if the aerial

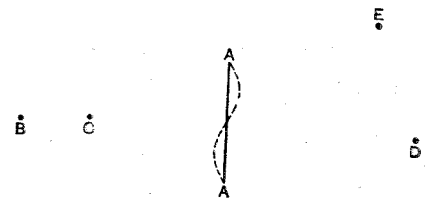


Fig. 4.—How reception at various points, B, C, D, and E, depends on their situation relative to a full-wavelength aerial AA is explained in the text.

is a whole wavelength long; drawn as the line AA in Fig. 4. The usual method of showing the strength of radiation from different parts (regardless of angle) is by drawing a wave or part of a wave along the

Wireless World

Aiming Aerials—

aerial. In our example, of course, one whole wave just fits. This means that at any selected moment the radiation from the top half is, say, positive, and that from the lower half is negative. Any points in the horizontal plane, such as B, C and D, are equidistant from both halves, so the equal positive and

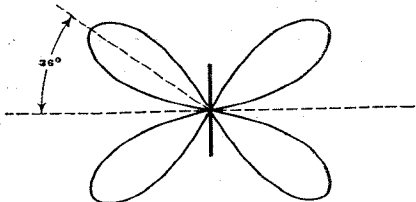


Fig. 5.—Full radiation diagram for the aerial of Fig. 4.

negative radiations exactly cancel out. Instead of horizontal radiation being a maximum it amounts to nothing at all. The reasons for zero endwise radiation still hold good. Is there, then, no radiation perceptible anywhere?

High-angle Radiation

Consider a point such as E. When positive radiation from the top half of the aerial has reached it the corresponding negative radiation from the lower half, farther away, has still a little way to go. The radiation that does reach E from the lower half at that moment is therefore some that started a little earlier. If it happened to be half a cycle earlier (the time taken for the radiation at any part of the aerial to change from maximum negative to maximum positive) it would have been positive, so that positives from both halves would reach E simultaneously; similarly for the negative halves. For it must be remembered that the radiation from any part of the aerial is not a stationary thing, it is continually alternating from positive to negative and back. If the above description is actually true of the point E—and there is no reason why it should not be—it is clear that it gets strong radiation. The explanation is, of course, very rough, but the exact situation can be worked out mathematically, and the radiation diagram is found to be as shown in Fig. 5. If the surface of the earth comes where the hori-

zontal dotted line is drawn, the lower radiation is, of course, suppressed, and maximum radiation takes place all around at an upward angle of 36°. This is a very big contrast to Fig. 3, and definitely undesirable for medium-wave broadcasting.

The diagrams for some aerials, especially those several wavelengths long, are very complicated, with multiple "lobes" of radiation. The aim in designing highly directional—"beam"—short-wave aerials is to eliminate all except one very strong narrow lobe at the desired angle, and for this purpose stacks and arrays of separate aerials are combined into one vast system.

Going back to the problem of medium-wave broadcasting, the best arrangement for all-round work at as low an angle as possible is found to be a single vertical radiator slightly more than half a wavelength high. The radiation diagram is then something like Fig. 6. As supporting masts in the neighbourhood are very likely to upset the distribution, the modern tendency is to make an aerial of a mast, either a self-supporting tower (American) or guyed (British)—no pun intended. For a wavelength of 200 metres the height is therefore a little over 100 metres, say 350 feet, which is reasonable. For 540 metres it is

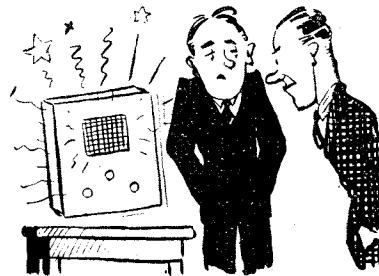


Fig. 6.—Radiation diagram for an aerial just over half a wavelength long.

about 1,000 feet, which begins to look like real money, to say nothing of aircraft risks. So all sorts of dodges have been tried for reducing the height without spoiling the radiation diagram. One method is to mount a big ring at the top to increase the capacity.

As for broadcast receiving aerials—well, obviously they are well below optimum. It is only for short waves that the angles can be effectively controlled within the dimensions of a suburban garden. All sorts of special short-wave aerials are sold with this end in view. The tilted wire television aerial* is a good example.

*The Wireless World August 31st, 1939.



"My word—what a deuce of a clatter
Your set's gone as mad as a hatter."
"I know" confessed Squires
"I tried soldering the wires
Without FLUXITE—I thought
'twouldn't matter."

See that FLUXITE is always by you—
in the house—garage—workshop—
wherever speedy soldering is needed.
Used for 30 years in government
works and by leading engineers and
manufacturers. Of Ironmongers—in
tins, 4d., 8d., 1/4 and 2/8.

Ask to see the FLUXITE SMALL-
SPACE SOLDERING SET—compact
but substantial—complete with full
instructions, 7/6.

Write for Free Book on the art of
"soft" soldering and ask for Leaflet
on CASE-HARDENING STEEL and
TEMPERING TOOLS with FLUXITE.

TO CYCLISTS! Your wheels will
NOT keep round and true unless the
spokes are tied with fine wire at the cross-
ings AND SOLDERED. This makes
a much stronger wheel. It's simple—with
FLUXITE—but IMPORTANT.

THE FLUXITE GUN

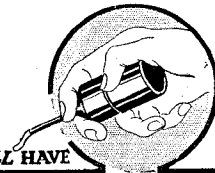
is always ready to put Fluxite on the
soldering job instantly. A little pres-
sure places the
right quantity on
the right spot and
one charging lasts
for ages. Price
1/6, or filled 2/6.

ALL MECHANICS WILL HAVE

FLUXITE

IT SIMPLIFIES ALL SOLDERING

FLUXITE LTD. (Dept. W.W.),
DRAGON WORKS, BERMONDSEY
STREET, S.E.1.



B.B.C. Oversea Service

EXPANSION OF EMPIRE SERVICE FOR WORLD COVERAGE

IT may not be generally known how rapidly this offspring of the B.B.C. Home Service has grown during the past twelve months or so. The B.B.C.'s original Charter, granted in 1925, contemplated a service within the United Kingdom only, and it was not until 1932 that the Empire Service started. This, like the Home Service, was originally confined to transmissions in English, and it was not until the beginning of 1938 that the first foreign language transmission was undertaken by the B.B.C. To this

technical and programme arrangements and on the other of unification within the inevitable limits of world time differences, wavelengths and available transmitters. From the Empire Service has therefore sprung the Oversea Service, which comprises three main groups of transmission. What virtually incorporates the Empire Service, but is more widely radiated than in peacetime, is known as the World Service—primarily in English. This aims at providing transmissions each morning and even-

considerable increase in staff, which has risen from approximately 100 to 250. This number, however, does not include the Oversea Intelligence Department, which has a staff of about the same number.

Mr. J. Beresford Clark, the Assistant Controller, B.B.C. Oversea Service, explained at a recent Press Conference, at which representatives from the Empire and overseas Press were present, that a welcome feature of the B.B.C.'s World Service since the war has been the extent to which items in its programmes, especially news bulletins, talks and authoritative official pronouncements, have been retransmitted by overseas broadcasting stations. In Australia, for example, 164 of the 167 overseas items retransmitted by Australian stations during September came from the B.B.C. In Portugal, the Emissora Nacional, the official broadcasting station, has radiated the Portuguese news bulletin ever since its inception.

The Director of the Oversea Intelligence Department referred to above is Mr. Malcolm Frost. Some of the special duties of this organisation were explained by him at the Conference. The monitoring service which was referred to last month, and has a staff of nearly 100, comes under Mr. Frost's direction. So far as the overseas transmissions are concerned, one of the most important tasks of the Intelligence Section is the provision of data relating to the listening habits of the country to which it is proposed to direct transmissions. Such details as the number and types of receivers in use, and the stations normally listened to, are of vital importance. For this purpose, a team of over 1,000 voluntary co-operators throughout the world are in touch with the Intelligence Section, and are a valuable source of information on the reception and effects of B.B.C. transmissions and their counterpart in foreign propaganda.

ELECTRIC RAZORS

IN our November issue, Free Grid lamented the fact that there appeared to be no emergency power supply available for operating his mains-driven electric razor. We are informed by the Schick Dry Shaver Company that this lament is without foundation so far as their standard 110 volt 9 watt shaver is concerned, as, for



From "Somewhere in England" the B.B.C. Oversea Service transmits 54 news bulletins a day. Of this number 23 are in English and the remainder in 16 foreign languages. One of the three Polish bulletins was being read when this photograph was taken. In the foreground can be seen the control panel.

service, which was in Arabic, were very soon added news bulletins in Spanish and Portuguese, destined for Latin America.

It was on September 27th, 1938, the day of Mr. Chamberlain's broadcast at the height of the Munich crisis, that the B.B.C.'s first transmissions to European countries were radiated. These were news bulletins in French, Italian and German, and transmissions to Spain, Portugal and South Africa in their respective tongues were added during the following year.

Since the outbreak of war many additions to the foreign language news service have been made, and the languages now used, in addition to those already mentioned, include Czech, Greek, Magyar, Polish, Rumanian, Serbo-Croat and Turkish.

Until the outbreak of war there was but one service—the Empire Service. It was, however, realised that broadcasting would play a vital rôle in the conflict, and that there was immediate need on the one hand of expansion of

ing to all parts of the English-speaking world. Next is the European Service in which is radiated news, talks and entertainments in twelve Continental languages. The third section incorporates the Arabic service and the bulletins in Afrikaans, Greek and Turkish.

The World Service, which is radiated on short waves only, is now transmitted almost continuously throughout the twenty-four hours. The European Service, which is radiated not only on short waves, but, during the hours of darkness, also on 261.1 metres, is transmitted for nineteen hours each day.

At present the B.B.C. is transmitting on 15 of the 21 frequencies which have been notified for use by the station.

At the outbreak of war, 20 news bulletins were transmitted daily in the Empire Service, whereas the number now broadcast, in 17 different languages, in the Oversea Service is 54. This vast expansion has necessitated a

some considerable time past both the Vidor and the Ever Ready Companies have been producing special dry batteries for it. To use battery supply it

is only necessary to unplug the voltage-dropping unit which is supplied for normal 200 to 250 volt AC or DC mains operation.

KDKA's Anniversary

BROADCASTING IS GROWING UP

TO celebrate the 19th anniversary of its inauguration, the Westinghouse station at Pittsburgh, Pennsylvania, the world's first broadcaster, has just started to radiate from a new 50-kW transmitter installed in the suburbs of the city at Allison Park. At present the station is radiating only the standard amplitude-modulated programme on 980 kc/s, but the 718-ft. aerial tower shown in our cover illustration will ultimately support the aerial for the WPIT short-wave transmitter as well as that for an experimental frequency-modulated high-fidelity service.

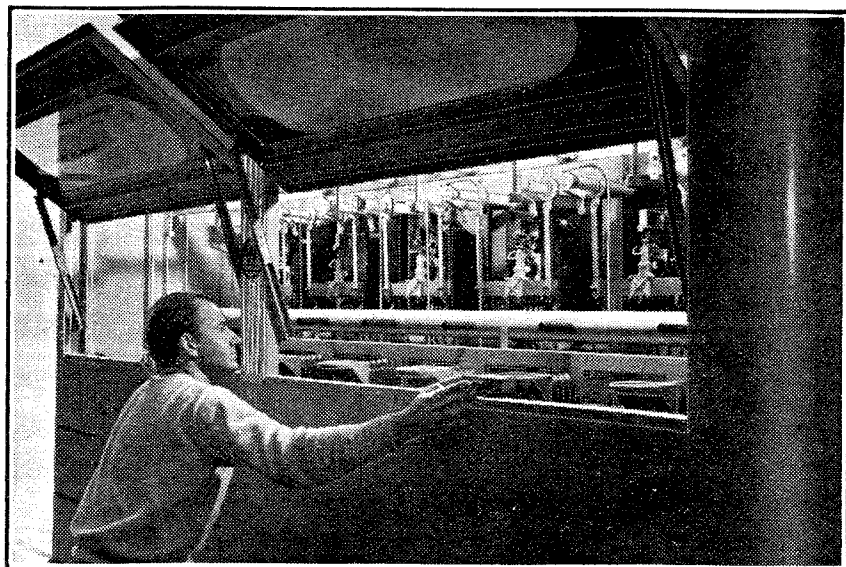
Several features that, it is claimed, have never previously been used at a broadcasting station are to be found at the new KDKA. Perhaps the most novel of these is what is described in America as "radio air conditioning." That expression may conjure up visions of heating by means of high-frequency currents; actually, however, it refers to the utilisation of heat generated by the transmitting valves, which are of the air-cooled type. After circulation through the cooling

ducts of the valves, the heated air is used to warm the station building. Little, if any, additional heating is needed, as the station is normally in operation for 18 hours a day. In case of need, however, the "free" warmth obtained from the valves may be supplemented by electrical heaters housed in the ventilating ducts of the building.

Push-button valve changing is another development introduced by Westinghouse engineers. Any one of the six power rectifying valves may be changed immediately by means of an "automatic relay shift" which obviates manual charging of valves in the rectifier unit and involves practically no interruption of the service.

FERGUSON RADIO

MR. J. B. FERGUSON has resigned from the directorship of Ferguson Radio, Ltd., but will continue to act as consultant to the company. He is shortly leaving for the U.S.A. to make his usual annual survey of radio conditions in that country.



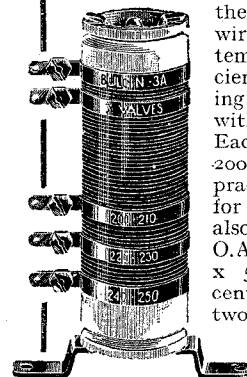
Interruptions due to the failure of rectifier valves are minimised at the new KDKA by means of this "push-button" valve-changing relay system, by the use of which a new valve may be thrown into circuit without loss of time.

JANUARY, 1940

INVESTIGATE THE BULGIN RANGE for RESISTORS...

AC/DC MAINS RESISTANCES

These heavy duty wire-wound resistances are wound with the finest nickel-alloy wire, of negligible temperature coefficient, on heat-resisting formers, fitted with terminal bands. Each is tapped for 200-250 V.; where practicable, a tapping for 100/110 V. is also made. Max. O.A. dimensions, 2" x 5" high. Fixing centres, 2" approx.; two 6 BA holes.



LIST No.	VOLTS (OUTPUT)	OHMS
M.R.65	100	584+110+110
M.R.66	120	473+110+110
M.R.67	140	362+110+110
(for 0.2 Amp.)		
M.R.68	111,121	50+420+100+100
Price 2/9 each (for 0.18 Amp.)		
M.R.23	40,50	917+110+110
M.R.24	60,70	55+806+110+110
M.R.25	80,90	55+695+110+110
M.R.26	100,110	55+584+110+110
M.R.27	120,130	55+473+110+110
M.R.28	140,150	55+362+110+110
(for 0.20 Amp.)		
M.R.33	50,60	50+190+500+100+100
M.R.34	72,82	50+115+500+100+100
M.R.35	85,95	50+100+500+100+100
M.R.36	98,108	35+15+495+100+100
M.R.37	111,121	50+420+100+100
M.R.90	140,150	50+225+100+100
(for 0.25 Amp.)		
M.R.7	32	692+ 80+ 80
M.R.8	48	628+ 80+ 80
M.R.9	64	564+ 80+ 80
M.R.10	80	500+ 80+ 80
M.R.11	96	436+ 80+ 80
M.R.12	112	372+ 80+ 80
(for 0.3 Amp.)		
M.R.44	26	263+334+ 67+ 67
M.R.45	39	220+334+ 67+ 67
M.R.46	52	177+334+ 67+ 67
M.R.47	65	134+334+ 67+ 67
M.R.48	78	90+334+ 67+ 67
M.R.49	91	47+334+ 67+ 67
M.R.61	117	293+ 67+ 67

Price 3/6 each

If you have not yet had a reference copy of our complete catalogue No. 162, showing full range of components, please send at once mentioning this paper. Enclose 3d. in stamps.



ALWAYS DEPEND ON

BULGIN

Advert. of A. F. BULGIN & Co., Ltd., Abbey Road, Barking. Tele.: Rippleway 3474/5/6

Random Radiations

The Stuff to Give the Troops

SPEAKING as one of the allegedly bloodthirsty and licentious soldiery, I can say wholeheartedly that a set specially designed for the use of the troops is one of the big wants of the day. Give us the right thing and we'll buy it like hot cakes. What do we want? Well, something like this. It must be a portable set; it must be small, it must be light. It can be extremely simple, for there is no need now for it to take in the long waves. A receiver working on the medium waves alone would, therefore, probably satisfy a large number of potential buyers. But if it were possible to get respectable results on a frame from stations on the 25-metre and 31-metre bands, these might be included as well. Circuit? With the directional properties of the frame available as a potent aid to selectivity, a simple "straight" arrangement might suffice; but I think that it would be better to use the superhet circuit owing to the wonderful sensitivity that it makes it possible to obtain from a small number of valves.

B/AC/DC

The ideal set for army use should be able to work anywhere, no matter

whether there are mains supplies or not. And if there are such supplies the set should be able to use AC or DC equally well. That boils down to a set that is operable by batteries or by AC or DC mains. Further, the batteries should be dry, for there are places where accumulator charging is impossible, and in any case accumulators can be a bit messy if a set has to travel rough! There was, if you remember, one set at the Exhibition which incorporated the low-voltage low-current battery valves and worked either off its own dry batteries or off AC or DC mains. That idea is just what is needed as the basis of a soldiers' set. Other essential points are these. It must be inexpensive; it must stand up to knocking about; and it *must* be pretty well proof against the effects of damp; if you doubt that necessity, I wish you could see the morass in which I've been living for weeks now!



More Radiograms

ONE result of the black-out, particularly since we made this year's belated change from B.S.T. to G.M.T., has been an increasing demand for means of providing entertainment in the home. We used to talk of "long,

By "DIALLIST"

dark evenings"; now we really know what those words mean! With only one B.B.C. programme on tap, the wireless receiver by itself couldn't entirely fill the bill; but, given a good stock of records, the radiogram does what is wanted. Hence it is not surprising that sales of these instruments have soared. Lots of people, too, have gone in for the playing-desk attachments that can be used with any receiver which has pick-up terminals. Others have added pick-ups to ancient gramophones and given them a new lease of useful life. It doesn't matter how old the gramophone used for this purpose is so long as it will rotate records steadily at the right speed. Clockwork gramophone motors are wonderfully long-lived. I spent an hour or two the other day fettling up a veteran, and it's now going beautifully. I washed it in paraffin first of all to remove the dust and grime of years, then gave it a thorough lubrication with good, thin oil. A few small adjustments here and there and the monkey-gland treatment was complete; my veteran was thoroughly rejuvenated. I'd like to know how old that motor was!



Fox Potentiometers

A RANGE OF WELL-MADE HEAVY-DUTY RESISTANCES

DESIGNED for heavy duty in transmitters, PA equipment and electrical apparatus, these potentiometers are toroidally wound on rigid ceramic formers. The method of winding ensures mechanical and electrical reliability, and it is claimed that the resistances will withstand immersion

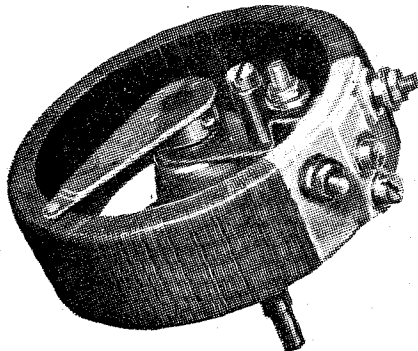
in cold water after a 100 per cent. overload.

The contact stud is of large diameter and is riveted to a laminated spring contact arm. The bearing is supported by a cast aluminium bracket which is bolted to the ceramic ring former. A paxolin spindle is used, and any number of potentiometers may be ganged together.

At the moment two sizes are available: 100-watt, 3in. in diameter; and 200-watt, 4in. in diameter. The former is available in resistance values from 12 to 7,500 ohms, and the latter from 12 to 15,000 ohms. The resistance variation follows a linear law.

A 500-ohm 200-watt resistance submitted for test was run for a considerable time at its maximum rating without deterioration.

The makers are P. X. Fox, Ltd., Newlaithes Road, Horsforth, Yorkshire, who specialise in all types of toroidal coil winding.



Fox 200-watt toroidally wound potentiometer.

Opportunists

EVERYONE has heard of the ramp of breaking up HT batteries and selling the cells from them at fourpence or more apiece for pocket torch refills. I was amused, though, to see the other day an advertisement offering cardboard tubes in large quantities. These tubes were described as specially suitable for converting HT cells for use in flashlamps. That strikes me as a wondrous fine instance of opportunism! You feel the want, we do the rest! The battery position is improving, but it is still not too good, for certain kinds of HT batteries are difficult to come by, and some of those offered are pretty poor things. It pays better, I imagine, to make torch batteries. The ingredients of the cells aren't (or shouldn't be) in the same proportions; but the cans are of the same sizes and the demand for flashlamp refills probably keeps the can-making machines fully occupied. It won't be long now, in all probability, until the battery makers are able to give us all the HT batteries we need. Meanwhile, if a set uses some special

Wireless World

type that isn't available, it isn't as a rule difficult to adapt standard types by the exercise of a little ingenuity and the use of extra wires and wander plugs.

Compulsory Interference Suppression

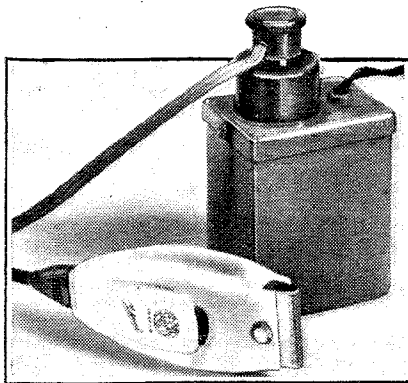
ONE of the worst blows that the war has dealt to wireless so far is that it has seen the shelving—probably for the duration—of the long-promised anti-interference legislation. German enthusiasts are luckier, for their Government issued an ordinance some weeks before the outbreak of war making it compulsory to have suppressors fitted forthwith to all kinds of radiating appliances, including car ignition systems. Fearsome pains and penalties were scheduled for all who failed to comply. Would that we had done likewise! As it is, petrol rationing has automatically cut down to some extent the amount of car ignition interference on the short waves; but in many localities interference from other sources has certainly grown worse. Domestic appliances of all kinds are being turned out without any attempt being made to reduce their radiating properties. I'm afraid that when the war is over there'll be such quantities of these appliances in use that it will be impossible to introduce any anti-

interference legislation that does not give a long period of grace.

Study Requirements

IF British manufacturers of broadcast receivers are to benefit from the present position, they should make a real study of the needs of listeners in Empire countries. If they don't bother to do so, but export on the take-it-or-leave-it principle, they may sell sets now, but they'll cease to do so when trade flows freely again and the painstaking foreigner is competing once more for custom. That mistake has been made too often in the past. Here's an example. A young relative of mine stationed in Northern India is a keen wireless man and specially interested in short-wave reception. He'd had several of the British sets that were available out there, but none that he bought filled the bill. The other day I had a letter from him in which he became almost lyrical over the performances of a foreign set that he'd acquired before the supply dried up. It provides first-rate short-wave reception because, he explained, it has enough valves to make it adequately sensitive and it is fitted with real band-spread tuning. Nothing very outstanding about that, you may say. There are plenty of British sets with those features. Yes, but they didn't appear to be available where he was. The foreigner came along with just what was wanted and got the order. That's what our folk must buckle to and do from now on.

HT Vibrator for Shavers



This emergency power supply for Electric shavers is of particular interest to wireless men as one of its main features is freedom from interference with ordinary broadcasting. It consists of a vibrator which steps up the output from a six volt accumulator, and is manufactured by Masteradio, Ltd., who specialise in vibrators for HT supply. Used in conjunction with the Schick Dry Shaver shown in the photograph it causes no interference to the B.B.C.'s early morning physical jerks, even when the wireless receiver is installed in the same room.

Old Stagers

AMAZING what ancient sets are appearing in some of the shop windows nowadays—and apparently finding a pretty ready sale. For all their age, many of them are obviously unused. I noticed the other day half a dozen receivers of one particular type in a window. They bore no makers' name, but the design is a distinctive one and I have a fairly clear recollection of seeing it at Olympia and afterwards some 4 or 5 years ago! The sets now on view are, I suppose, surplus stock of that season. They must have been stored away and forgotten. Certainly they'd be written off as of no value. Now they have emerged from their hiding places and I've no doubt they will give good enough service to folk who want cheap sets and don't ask for anything much beyond the home programme and perhaps one or two of the French stations.

VORTEXION

MODEL CP20

15w. AC & 12-VOLT DC AMPLIFIER

A VOLUNTARY APPRECIATION

The Broadway,
Sealecliffe,
Whitstable, Kent.
7th November, 1939.

Dear Sirs,

We duly received the CP20 amplifier.

As a Public Address Engineer for the past sixteen years, I should like to convey to you my remarks referring to this equipment. Without a doubt it is the best I have had the pleasure of working with, the quality is superb, both from gram. and mic. and your statement that the amplifier is flat from 30 cycles is modest, in fact I have always built our own amplifiers previously, but this time I must hand it to you, more especially so in view of the price. I could not have built one as good for double the price.

Thanking you for a very good job,

Yours sincerely,

H. F. Pollard (Prop.),
Chestfield Radio.

This small Portable Amplifier, operating either from AC mains or 12-volt battery, was tested by "THE WIRELESS WORLD," October 1st, 1937, and has proved so popular that at Customers' demand it remains unaltered except that the output has been increased to 17.2 watts and the battery consumption lowered to 6 amperes. Read what "The Wireless World" said:—

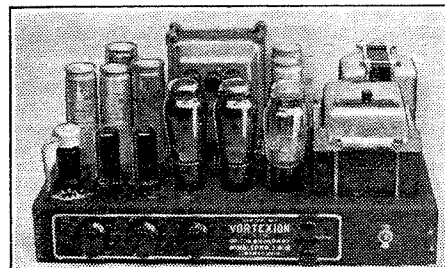
"During tests an output of 14.7 watts was obtained without any trace of distortion so that the rating of 15 watts is quite justified. The measured response shows an upper limit of 18,000 c/s and a lower of 30 c/s. Its performance is exceptionally good. Another outstanding feature is its exceptionally low hum level when A.C. operated even without an earth connection. In order to obtain the maximum undistorted output, an input to the microphone jack of 0.037 volt was required. The two independent volume controls enable one to adjust the gain of the amplifier for the same power output from both sources, as well as superimpose one on the other, or fade out one and bring the other up to full volume. The secondary of the output transformer is tapped for loudspeakers or line impedances of 4, 7.5 and 15 ohms."

AC and 12-volt CHASSIS with valves, etc.	£12 12 0
Or in Rexine Case with Collaro Motor, Piezo P.U. and Mike Transformer	£17 17 0
AC only CHASSIS with valves, etc.	£8 18 6
Or in Rexine Case with Collaro Motor, Piezo P.U. and Mike Transformer	£14 0 0

Guaze Case for either chassis 12/6 extra.

Many hundreds already in use for
A.R.P. & GOVERNMENT purposes

50w AMPLIFIER CHASSIS



A pair of matched 6L6's with 10 per cent. negative feed-back is fitted in the output stage, and the separate HT supplies to the anode and screen have better than 4 per cent. regulation, while a separate rectifier provides bias.

The 6L6's are driven by a 6F6 triode connected through a driver transformer incorporating feedback. This is preceded by a 6N7, electronic mixing for pick-up and microphone. The additional 6F5 operating as first stage on microphone only is suitable for any microphone. A tone control is fitted, and the large eight-section output transformer is available in three types—2-8-15-30 ohms; 4-15-30-60 ohms or 15-60-125-250 ohms. These output-lines can be matched using all sections of windings and will deliver the full response (40-18,000 c/s) to the loudspeakers with extremely low overall harmonic distortion.

CHASSIS with valves and plug:	£17 10 0
Or complete in black leatherette cabinet with Collaro turntable, Piezo P.U. and shielded Mike Transformer	£22 10 0

Goodmans P.A. Speakers in stock.

Reslo Horns	£11 11 0
Reslo M.C. Microphones	£3 15 0
Amperite Ribbon Microphones from	£5 5 0

All P.A. and A.R.P. Warning Gear in stock.

Write for Illustrated Catalogue.

Vortexion Ltd., 182, The Broadway,
Wimbledon, S.W.19. Phone: L1Berty 2814.

“Mighty Gem” Portable

SUPERHETERODYNE RECEIVER WEIGHING ONLY 3½ LBS.

MUCH interest has been shown in this neat little instrument which has recently made its appearance in the large stores and on station bookstalls. It measures only 6¼ x 5½ x 3½ in.—less than the standard gas mask container—and its weight complete with batteries is 3½ lb. Yet the designers have contrived to build into it the equivalent of a 5-stage superheterodyne circuit with AVC.

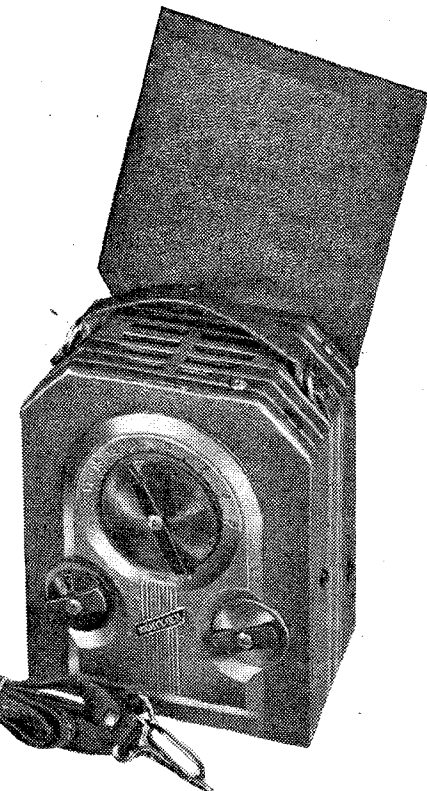
In this they have been helped by a new multiple output valve, the 1D8, which has been added to the range of 1.4 volt valves. This valve contains a single diode rectifier, triode first AF stage, and a pentode

ent to give a good signal from the B.B.C. Home Service in any part of the country. After sunset, foreign stations can be received without any difficulty.

Both HT and LT are derived from dry cells, and the three 1.4-volt valves are of the same electrical characteristics as the standard type, but are of the “GT” type with short bulbs. The 1½ volt filament heating cell lasts about 60 working hours and the 60-volt HT battery, which is of about one-quarter the capacity of standard size, should give about the same length of service. The normal HT current is 7 mA. Replacements cost 1s. 6d. and 5s. 9d. respectively, so that the cost of running the set is about 1½d. per hour.

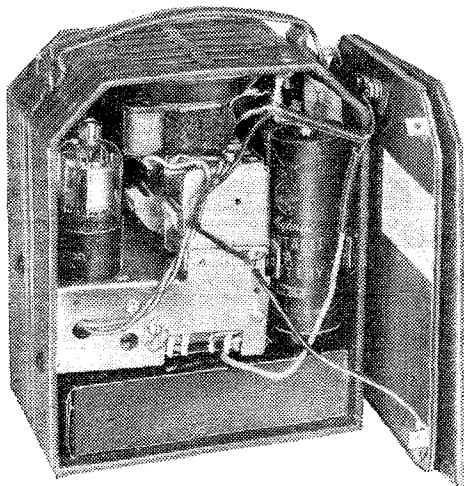
A flexible carrying handle is fitted at the top of the set and a shoulder strap and waterproof case are available as extras. The price of the “Mighty Gem” is 6 guineas, and the distributors, who carry stocks of replacement batteries, are H. H. Linton and Co., Ltd., 2, Holborn Buildings, London, E.C.1.

Both in range and volume



Front view with frame aerial raised for reception. The tuning dial is calibrated on a kilocycle basis and the other knobs are for the volume control and on-off switch.

this receiver gives a remarkable performance for its size.

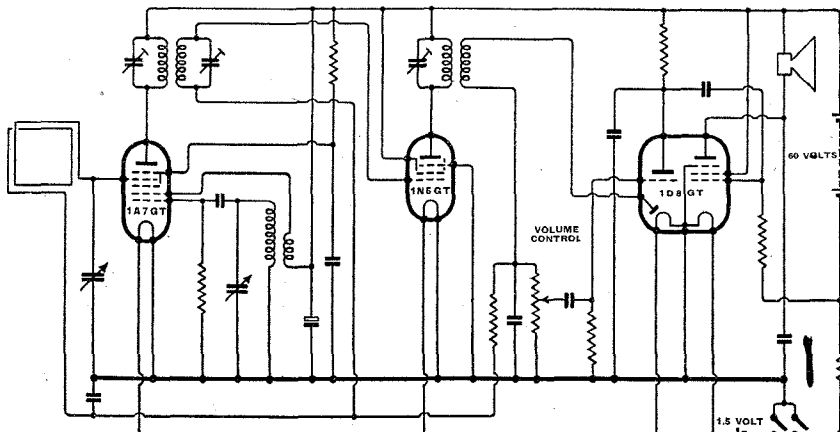


A miniature two-gang air dielectric tuning condenser and short 1.4 volt valves contribute to the remarkable compactness of the receiver chassis.

output valve capable of giving 200 milliwatts with 90 volts HT or 90 milliwatts with the 60 volts actually available in this set.

An efficient moving iron loud speaker incorporated in the top of the set makes the most of this output and, probably because the back is totally enclosed, there is a surprisingly high proportion of bass frequencies in the response.

The signal is picked up on a frame aerial hinged to the back of the set, and the overall sensitivity is suffi-



Circuit diagram of the “Mighty Gem” portable. A pentagrid frequency-changer is followed by one IF amplifier and a final stage which combines the functions of signal and AVC rectifier, first AF amplifier and output valve.

Recent Inventions

Brief descriptions of the more interesting radio devices and developments disclosed in Patent Specifications will be included in these columns.

"NOISELESS" SWITCH

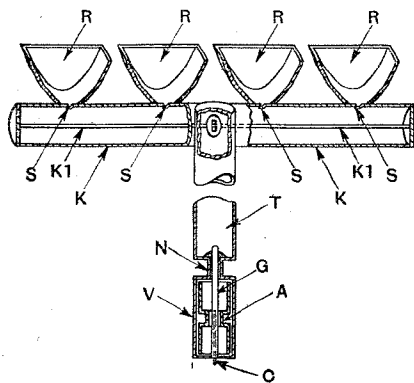
THE ordinary type of switch makes or breaks the controlled current instantaneously, and is therefore a fertile source of "clicks" and other disturbing noises in any wireless set within range. Interference of this kind could largely be avoided if the switch were made somewhat less rapid in its action, and the inventors disclose one method of securing this result.

The contacts are made in the form of two metal discs which are brought together or separated by any suitable lever action. The lower disc is surrounded by an annular pad of aerated rubber or felt, saturated with an electrolyte, and the upper disc first makes contact with this pad before being finally pressed into contact with the lower metal disc. The make or break of the current thus takes place in two stages, instead of being instantaneous. The electrolyte contains glycerine, and is also protected by a cover so as to minimise evaporation.

F. R. W. Stratford and Belling and Lee, Ltd. Application date, February 26th, 1938. No. 511674.

CENTIMETRE WAVES

RELATES to the production, amplification, and detection of very short waves by making use of coaxial trans-



Generator and radiator for microwaves.

mission lines, and of tubular conductors or so-called dielectric guides.

As shown in the drawing, centimetre waves are generated by a thermionic device V, comprising a cathode C, grid G, and anode A, the space in which they are mounted forming a tuned "resonator" chamber, in which the waves build up. The grid G passes through a neck N, which, in effect, forms a coaxial transmission line coupling to a hollow tube T or "dielectric guide." This is terminated by a cross-piece formed as

a two-conductor transmission line, comprising an external tube K and an internal core K₁, to which horn-shaped radiators R are coupled at regular intervals. The short-wave energy built up inside the line K, K₁, is transferred to the radiators through slot-shaped openings S, and is then radiated into space as a directed beam.

O. Bormann (J. Pintsch). Convention date (Germany), September 15th, 1936. No. 507473.

o o o o

DF BEACON AERIALS

FOR DF work over long distances using short wavelengths it is desirable that the transmitter should radiate only vertically polarised waves, and that any horizontally polarised components should be carefully eliminated. This is particularly the case with aerial beacons which are designed to send out either a sharply defined beam which is made to rotate continuously at a given speed, or which sends out a pair of "overlapping" beams in order to mark out an air route to be followed by an aeroplane.

In practice, it is found that waves having a horizontal component are likely to be radiated from any beacon station erected over an earth which is not uniform or homogeneous. It has also been found that this effect can be offset by slightly inclining the aerial, so that it is, in effect, strictly vertical to the "electrical" earth—although at an angle to the ground as viewed by the eye. The invention accordingly consists in mounting the dipole elements of a beacon transmitter on a tripod or similar support, so that they can be inclined at any desired angle to the ground.

R. J. Berry (communicated by C. Lorenz Akt.). Application date, June 28th, 1938. No. 511322.

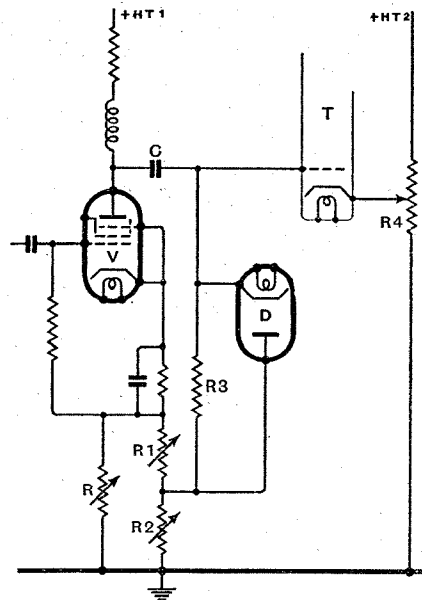
o o o o

PICTURE CONTRAST CONTROL

THE invention discloses an arrangement for regulating picture contrast in a television receiver by means of negative feedback. The method has the advantage of not affecting the frequency response of the receiver to any noticeable extent. At the same time, provision is made for restoring the DC component in order to keep the overall brightness of the picture in step with slow changes of illumination at the transmitting end.

The variable resistance R, which is common to the input and output circuits of the "vision" pentode valve, provides the negative feedback used for contrast control, by regulating the amplitude of the signal voltages applied through the condenser C to the grid of the cathode-ray tube T. A diode D is shunted across the output from the pentode V to a point

between two resistances R₁, R₂, which form a potentiometer bridge across the feedback resistance R, and the voltage developed by the load resistance R₃ of the diode is used to restore the DC component required to keep pace with slow changes in illumination. A tapping on



Using negative feedback to regulate picture contrast.

the resistance R₄ provides a control for the mean picture brightness.

Kolster-Brandes, Ltd., and C. N. Smyth. Application date, February 4th, 1938. No. 510715.

o o o o

CAR AERIALS

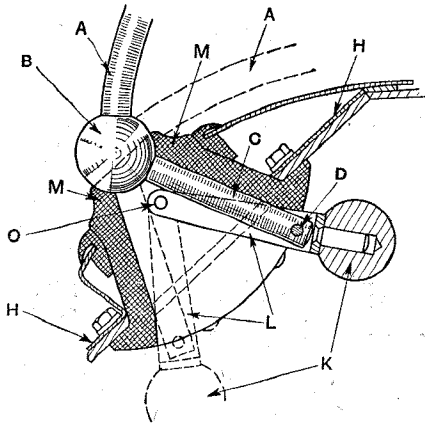
THE figure reproduced on the following page shows a rod-type of aerial A, with means for swinging it down from the operating position drawn in full lines to the out-of-use position, shown in dotted lines, where the aerial lies parallel with the roof of the car. The mounting M is made of comparatively resilient or elastic material, and is pushed from inside the car through a hole formed in the sheet-metal framing H, just above the windscreen.

The aerial proper ends in a ball or

The British abstracts published here are prepared with the permission of the Controller of H.M. Stationery Office, from specification; obtainable at the Patent Office, 25, Southampton Buildings, London, W.C.2, price 1/- each.

Recent Inventions—

knob B, which seats firmly on the mounting M, but there is an inside arm or projection C, which is hinged at D to an operating arm L fitted with a knob K. This operating arm is pivoted at a



Retractable car aerial.

point O, and is of shorter radius than the other arm, so that there is a toggle action which tends to "snap" the aerial A into either the full-line or dotted-line positions, as the knob K is moved up or down from inside the car.

Daimler-Benz Aktiengesellschaft. Convention date (Germany), March 23rd, 1938. No. 508777.

AUTOMATIC CONTRAST CONTROL

IN an AF amplifier, suitable for gramophone reproduction, part of the pick-up voltage is shunted from the main amplifier on to the grid of an auxiliary valve, the output transformer of which is fitted with two separate secondaries. One of these is arranged to filter out the higher audible frequencies, and the other the lower audible frequencies, which are separately rectified.

The resulting voltages are used to apply automatic contrast control to the main amplifier valve, the control voltage for the lower audio frequencies passing through a filter having a longer time constant than that used for the upper frequency control. By reversing the polarity of the derived voltages, they may be used for contracting the volume range instead of expanding it.

N. V. Philips Gloeilampenfabriek. Convention date (Germany), January 19th, 1938. No. 512118.

CATHODE-RAY SCANNING

IN the type of television transmitter in which an electro-static image is built up on a mosaic screen, which is then scanned by an electron beam, there is always the possibility that the flyback path of the beam may pass over and partly destroy the electrostatic image already formed on the line about to be scanned. This difficulty is sometimes avoided by applying a beam-suppressing voltage to the *wehnelt* electrode during

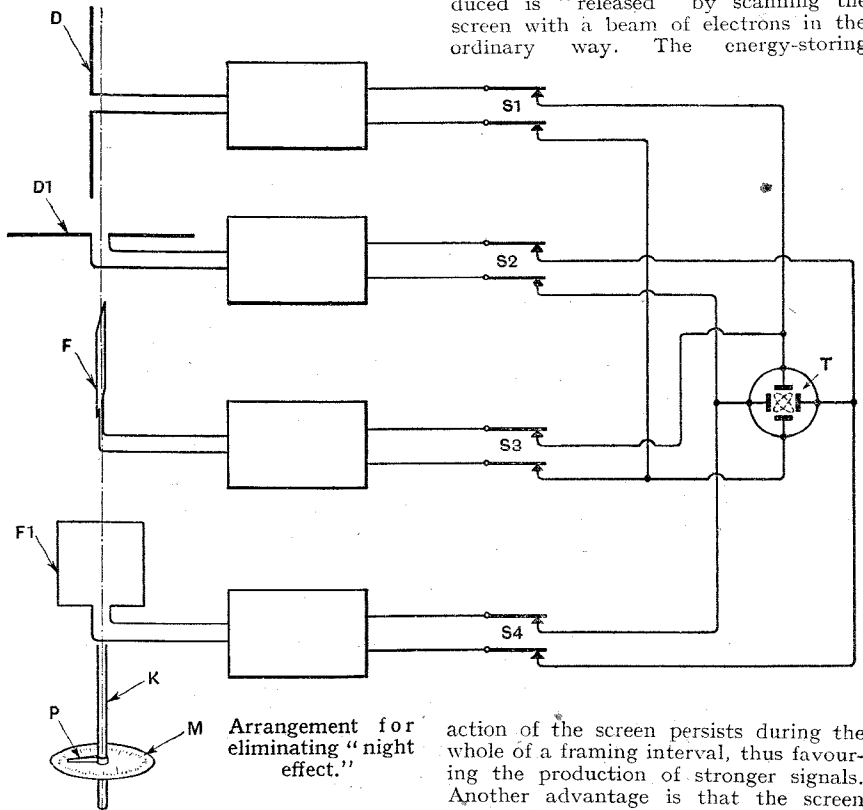
the line and frame flyback periods. Unfortunately this tends to produce large signalling potentials, which result in the picture showing an unnaturally bright or dark margin.

According to the invention, the beam is not suppressed, but is controlled by a square-topped impulse (preferably derived from the line scanning oscillator) which forces the electron beam during its flyback motion to pass over a portion of the mosaic screen that has already been scanned. In this way it cannot impair any of the electrostatic charges from which the signalling currents are derived.

Baird Television, Ltd. (communicated by Fernseh-Aktiengesellschaft). Application date, February 11th, 1938. No. 511048.

DIRECTION FINDING

THE figure shows an arrangement for finding the direction of an incoming wave free from "night effect" or "airplane error." Two dipole aerials D, D1, mounted at right-angles to each other, are connected through amplifiers to the two pairs of deflecting plates in a cathode-ray tube T. Two frame aerials F, F1, also set at right-angles to each other, are similarly connected to the CR tube, switching relays S1, S2,



S3, S4, being provided to ensure that the pick-up from the two sets of aerials reaches the deflecting plates alternately.

The dipole aerials produce an elliptical trace on the fluorescent screen of the

tube, which represents the direction of the electrostatic component, whilst the frame aerials produce a second ellipse showing the direction of the magnetic component of the incoming wave. The shaft K, on which all the aerials are mounted, is then rotated until the two ellipses (shown in dotted lines) coincide on the fluorescent screen of the tube. A pointer P then shows the true direction of the wave on a scale M.

Standard Telephones and Cables, Ltd. (assignees of Le Materiel Telephonique Société Anonyme). Convention date (France), September 17th, 1937. No. 509731.

TELEVISION SCREENS

TELEVISION signals are derived from a photo-sensitive screen made of alkali halides, such as potassium chloride, which, in common with certain luminous phosphors, possess the property of developing light-storing "centres" (somewhat analogous to those involved in ordinary photography).

A screen of this kind is used as a substitute for the mosaic-cell electrode in a television transmitter of the Iconoscope type. The picture to be transmitted is focused upon the screen, and the "latent" photo-electric energy so produced is "released" by scanning the screen with a beam of electrons in the ordinary way. The energy-storing

action of the screen persists during the whole of a framing interval, thus favouring the production of stronger signals. Another advantage is that the screen automatically reacts to slow changes of intensity, corresponding to variations in the background illumination of the picture being transmitted.

Scophony, Ltd., and A. H. Rosenthal. Application dates, February 25th and December 2nd, 1938. No. 511796.

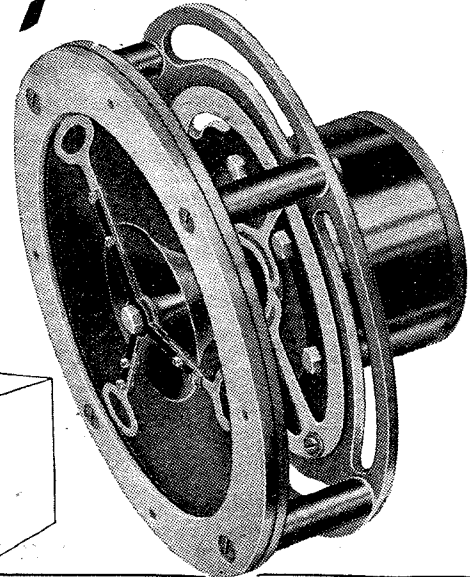
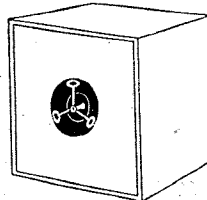
Fidelity!

A logarithmic horn suitable for the reproduction of the low frequencies down to 40 cycles is of such huge dimensions as to be impracticable for domestic use. GOODMANS "Infinite Baffle" Loudspeaker, a scientific combination of unit and cabinet measuring only 18 ins. cube is a practical solution. Due to accurately predetermined air stiffness, not only is all radiation from the rear of the diaphragm absorbed, but correct loading is maintained at low frequencies. The interior of the cabinet is specially treated to eliminate reflection and formation of standing waves at the higher frequencies.

- (1) True reproduction down to 40 c.p.s.
- (2) Complete freedom from frequency doubling.
- (3) Exceptional transient and high note response.
- (4) Absence of spurious resonances.

SPECIFICATION: Useful frequency range 30 c.p.s. to 12,000 c.p.s. Power Rating Capacity: 15 watts A.C. Peak. Speech Coil Impedance: 2.5 ohms. Weight: 42 lbs. Supplied fitted in plain loudspeaker case 18" x 18" x 18", finished grey. **£10** Excluding Transformer.

High grade cabinets also available in various finishes.



GOODMANS Infinite Baffle LOUDSPEAKER.

GOODMANS INDUSTRIES, LTD., Lancelot Rd., Wembley, Middx. 'Phone: WEMbley 4001 (5 lines)

POST THIS COUPON for details of the new "Infinite Baffle" Loudspeaker, and for a copy of GOODMANS 20-page technical booklet "The Attainment of an Ideal." Please enclose 1d. stamp.

W.W.140

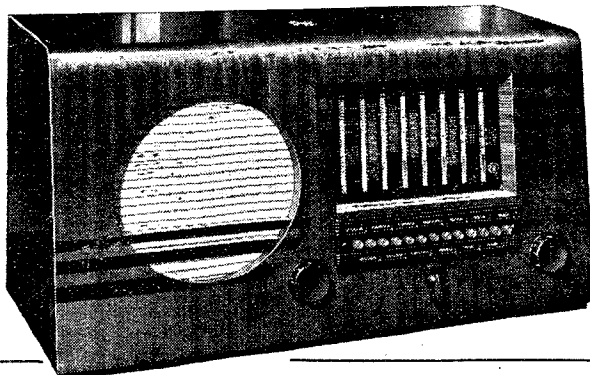
Attach this to your card or letter heading.

The



INTERNATIONAL

OVER 100 SHORT-WAVE STATIONS TUNED IN BY NAME



THE International is a five valve including rectifier A.C. mains Superhet with six watt output valve. Bandsread tuning is incorporated. A 10" moving coil speaker is utilised and the cabinet is finished in sapele mahogany. Wavelengths are: 13.7-14.2; 16.5-17.1; 19.4-20.1; 24.8-25.8; 30.6-31.9; 48-50; 180-560; 850-2000. Cabinet dimensions: 25" x 13 1/2" x 11 1/2". PRICE **16 1/2 Gns.**



YOU select your station—and there it is with the same accuracy as a closeby transmitter, and the standard of fidelity based on the development of selective inverse feed back satisfies the most critical listener. Over one hundred short wave stations are marked by name on the dial as well as the majority of long wave and medium wave stations.

P Y E L I M I T E D , R A D I O W O R K S , C A M B R I D G E

Wireless World

CLASSIFIED ADVERTISEMENTS

THE CHARGE for advertisements in these columns is 12 words or less 3/-, 3d. for every additional word. Each paragraph is charged separately.

ADVERTISEMENTS, with remittance, should reach Dorset House, Stamford Street, S.E.1, not later than first post Wednesday, January 10th, for the February issue, or one day earlier at the Branch Offices, 8-10, Corporation Street, Coventry; Guildhall Buildings, Navigation Street, Birmingham, 2; 260, Deansgate, Manchester, 3; 26a, Renfield Street, Glasgow, C.2.

SERIES DISCOUNTS are allowed to trade advertisers on orders for consecutive insertions provided a contract is placed in advance, and in the absence of fresh instructions the entire copy is repeated from the previous issue. 3 insertions, 5 per cent.; 6 ins., 10 per cent.; 12 ins., 15 per cent.

Advertisements received too late for one issue, or crowded out, are published in the first following in which there is space. The Proprietors retain the right to refuse or withdraw advertisements at their discretion.

The Proprietors are not responsible for clerical or printers' errors, although every care is taken to avoid mistakes.

BOX NO. ADVERTISERS should include the words "Box 000 c/o 'The Wireless World'" which must be paid for. An additional 6d. is charged for registration and cost of forwarding replies.

ARMSTRONG

WE HAVE DONE OUR BEST

and for three months have kept our prices down to pre-war level. Existing stocks have been sold and now we are buying material at greatly increased prices. Nevertheless, as we promised you, only the bare minimum is being passed on to our friends and instead of the substantial rise which would be justified we are adding only a nominal 5%.

Now a word of thanks!

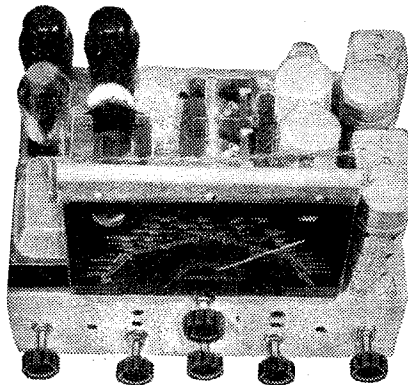
To the many readers who have so considerably helped us by giving ample time for delivery, we are indeed grateful. War conditions make it difficult for us to give our usual prompt service but

WE ARE DOING OUR BEST.

If you haven't seen our Illustrated Art Catalogue describing our full range, drop us a card and we will send one along.

MODEL SS10 — 10-V SUPERHET-STRAIGHT ALL-WAVE HIGH-FIDELITY R-G CHASSIS

Incorporating Two Independent Circuits, Superheterodyne and Straight, having R.F. Pre-amplifier and R.C. Coupled Push-Pull Triode Output capable of handling 8 watts.



The circuit of the SS10 is unique. When used as a STRAIGHT receiver two HF stages are in operation with A.V.C. Diode Detector is used for distortionless detection together with Triode Push-Pull output. A turn of only one knob is necessary to switch from "Superhet" to "Straight." The Gramophone 12 gns. Amplifier has been specially studied and records can be reproduced with excellent quality. plus 5%

MODEL AW38—8-V ALL-WAVE SUPERHET

This radiogram chassis has R.C. Coupled Push-Pull Output capable of handling 6 watts.

This being our Quality Year we have carefully studied the design of our more economically priced 8 gns. models and it's now possible to obtain 8 gns. excellent quality with economy plus 5%

Matched Push-Pull Speaker for above 1 gn.

MODEL AW125PP—12-V 5-BAND ALL-WAVE R-G CHASSIS (12-550 continuous, 1000-2000 m)

with R.F. Pre-Amplifier, 2 I.F. stages with Variable Selectivity. Manual R.F. gain control and 10 watts R.C. coupled Triode P.P. Output.

Readers need no introduction to this most popular model, so favourably reviewed by *The Wireless World* on Jan. 5th last plus 5%

7 DAYS' APPROVAL—12 MONTHS' GUARANTEE

ARMSTRONG MANUFACTURING CO.

WARLTERS ROAD, HOLLOWAY, LONDON, N.7
(Adjoining Holloway Arcade.) Phone: NORTH 3213.

Letters addressed to Box Nos. are simply forwarded to the advertiser. No responsibility is accepted in connection with these advertisements.

DEPOSIT SYSTEM. Readers may deal with advertisers in safety through our Deposit System. Purchase money payable to Liffé & Sons Ltd. should be deposited with "The Wireless World," when both parties are advised of its receipt.

The time allowed for decision is three days, counting from receipt of goods, after which period, if buyer decides not to retain goods, they must be returned to sender. If a sale is effected, buyer instructs us to remit amount to seller, but if not, seller instructs us to return amount to depositor. Carriage is paid by the buyer, but in the event of no sale, and subject to there being no different arrangement between buyer and seller, each pays carriage one way. The seller takes the risk of loss or damage in transit, for which we take no responsibility. For transactions up to £10 a deposit fee of 1/- is charged; over £10 and under £50, 2/6; over £50 and under £75, 5/-; over £75 and under £100, 7/6; over £100 one-half per cent. All correspondence must be sent to Dorset House, Stamford Street, London, S.E.1.

Cheques sent in payment for deposits or advertisements should be made payable to Liffé & Sons Ltd. and crossed. Postal orders and notes are legal tender and cannot be traced if lost in transit. They must therefore be regarded as being despatched at sender's risk. Alternatively, they may be sent per registered post.

USED SETS FOR SALE

SCOTT

27-VALVE Scott Imperial Auto Radiogram, 2,000 metres, 3 speakers, new June, 1938, cost 185 gns.; will accept £45 cash.

15-VALVE Scott Auto Radiogram, 13-550 metres, cost £120; first offer over £25 secures.—Box 1248, c/o *The Wireless World*. [8775]

Wanted

WANTED for Cash, Hallicrafter SX17, speaker optional.—Silcock, 37 Marine Parade, Morecambe. [8791]

PUBLIC ADDRESS

VORTEXION P.A. Equipment, LIMITED, but unequalled.

WE Invite You to a Demonstration.

A.C.-D.C. Dance Band Amplifier, 10 watts output, complete in case, with moving coil microphone, speaker and cables, weight 22lb.: 12 gns.

A.C.-20 15-20 Watt Amplifier, 38-18,000 cycles, independent mike and gram. inputs and controls, 0.037 volts required to full load, output for 4, 7.5, and 15 ohms speakers, or to specification, inaudible hum level, ready for use; 8½ gns. complete.

C.P. 20 12-volt Battery and A.C. Mains Model, as used by R.A.F., output as above; 12 gns.

A.C.-20, in portable case, with Collard motor, Piezo pick-up, etc., £14; C.P.20 ditto, £17/17.

50-WATT Output 6L6s, under 60-watt conditions, with negative feed back, separate rectifiers for anode screen and bias, with better than 4% regulation level response, 20-25,000 cycles, excellent driver, driver transformer, and output transformer matching 2-30 ohms impedance electronic mixing for mike and pick-up, with tone control, complete with valve and plugs; £17/10.

COMPLETE in Case, with turntable, B.T.H., Piezo pick-up and shielded microphone transformer; £22/10.

80-WATT Model, with negative feed back; £25, complete.

120-WATT Model, with negative feed back; £40, complete.

250-VOLT 250 m.a., Full Wave Speaker, field supply unit; 25/-, with valve.

ALL P.A. Accessories in Stock; trade supplied.

SEE Our Display Advertisement on Page 115.

VORTEXION, Ltd., 182, The Broadway, Wimbledon, S.W.19. Phone: Lib. 2814. [8241]

AMPLIFIERS, speakers, microphones, turntables and converters for hire and repairs departments.—Easco, 18, Brixton Rd., S.W.9. Phone: Rel. 1693. [0643]

NEW RECEIVERS AND AMPLIFIERS

A. CHALLENGER RADIO CORPORATION. The best firm for reliable, fully guaranteed ultra short-wave radio, have on view in London without exception the finest receivers ever made; for instance, a 5-valve T.R.F. Midget (2 bands) at 75/-; a mains/battery transportable (operating without alteration to A.C., D.C. or batteries), at £8, a 13-valve receiver, 5 bands, 5-2,100 metres, is only £16; any American valve for receivers 1925-40 for 5/6 each, only firsts such as Rathcon Ken-rad, etc., supplied; they have a range like this right up to an 18-valve Challenger Twin Chassis De Luxe, valves and 12in. public address speaker (weight 23lb.), at £29/10; why not call and handle these receivers at your leisure? No obligation to purchase; or handsome, profusely illustrated catalogues forwarded on receipt of 1½d. stamp; sale list of 1939 receivers also available.

CHALLENGER RADIO CORPORATION, 31, Craven Terrace, London, W.2. Paddington 6492. Nearest point Marble Arch, down Bayswater Rd., turn 5th right. [8787]

R. RADIO CLEARANCE, Ltd. 63, High Holborn, W.C.1. Phone: Holborn 4631.

63 BRITISH Belmont 8-valve Plus Magic Eye All Wave A.C. Superhet Chassis, 4 wave bands, 2 short, medium and long, fitted latest Mullard Octal base American type valves.

SIZE of Chassis 13½in. x 10in. x 3in., supplied with valves and knobs but less speaker.

CHASSIS only, £25/19/6 each.

SPEAKER for above, 17/6 each.

R. RADIO CLEARANCE, Ltd., 63, High Holborn, London, W.C.1. Telephone: Holborn 4631. [8794]

RECEIVERS AND AMPLIFIERS CLEARANCE, SURPLUS, ETC.

BANKRUPT Bargains.—Brand new 1938-9 models, makers' sealed cartons, with guarantees, at less 40% below listed prices; also portables and midget radio; send 1½d. stamp for lists.—Radio Bargains, Dept. A.W., 261-3, Lichfield Rd., Aston, Birmingham. [8735]

USED SETS FOR SALE COMET-PRO.

EXCHANGE Comet-Pro, 8-250cm. for W.W. Quality Amp./Receiver, Hartley Turner "R.F.41", Haynes, S.S. tuner or ?.—Box 1187, c/o *The Wireless World*. [8767]

Lockwood CABINETS

ACOUSTICALLY DESIGNED

A complete range for all Wireless World Receivers and Commercial Chassis

A COMPLETE RANGE of NEW MODELS READY JANUARY 1st, 1940

Special Drawings free on request
Send 1½d. stamp for details of Standard Models

LOCKWOOD & CO.
65, Lowlands Road, Harrow

Telephone: Byron 1818

BEAT THE BLACKOUT!

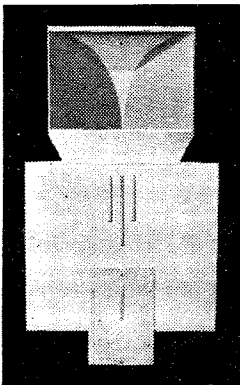
by ensuring first-class reproduction of fine music with a **VOIGT LOUDSPEAKER** and appropriate equipment.

We have made a special study of amplifiers, pickups, etc., and are glad to advise those wishing to use a **VOIGT LOUDSPEAKER**

in conjunction with existing gear or who are contemplating entirely new apparatus.

Prices ex works.
Twin diaphragm units from **£15**
Horns with bass chambers from **£7-15**

Consult us if in difficulty.



VOIGT PATENTS LTD.
THE COURTS, SILVERDALE, LONDON, S.E.26.

Telephone: SYDenham 6666

Regd. Office: 22, Cattle Street, London, E.C.1

★ ★ ★ ★ ★ ★ ★ ★ ★ ★ ★ ★ ★ ★ ★ ★

PUBLIC ADDRESS
"PARTRIDGE P.A. Manual," standard handbook on electro-acoustics, amplifiers, and audio circuits; price 2/6 (free to trade).
"PARTRIDGE Amplifier Circuits," describes many modern constructional amplifiers, 2w. to 45w. output, battery, A.C.-D.C., etc.; price 2/- (no free copies).
PARTRIDGE, N., B.Sc., A.M.I.E.E., King's Buildings, Dean Stanley St., London, S.W.1. [0630]

NEW MAINS EQUIPMENT
VORTEXION Mains Transformers, chokes, etc., are supplied to G.P.O., B.B.C., L.P.T.B.; why not you?
VORTEXION, Ltd., 182, The Broadway, Wimbledon, London, S.W.19. Telephone: Liberty 2814. [8782]

SHORT-WAVE EQUIPMENT
"H.A.C." one-valve Short-wave Receiver, famous for over 5 years, now available in kit form; complete kit of precision components, accessories, full instructions, 12/6, post 6d., no soldering necessary; descriptive folder free on request.—Bacchus, 109, Hartington Rd., S.W.8. [8785]

NEW LOUD-SPEAKERS
BRAND New Speakers.
SAVE Pounds. 1½d. stamp for list of British and American P.A. speakers. Example: P.A. speaker with transformer, weight 21lb., incorporating curved cone; 52/-.
CHALLENGER RADIO CORPORATION, 31, Craven Terrace, London, W.2. Paddington 6492. [8789]

BAKERS' Brand New Surplus Speaker Bargains.
£9 Only.—Usual price £16; brand new corner horn speakers in beautifully finished polished walnut corner horn cabinet, frequency range 30-12,000 cycles, amazingly realistic reproduction.
£3/10.—Usual price £6; brand new Baker super power electro magnet speakers, as solely specified for the "Wireless World" Quality Four receiver.
45/-.—Usual price £4/10; brand new Bakers' super power permanent magnet speakers, exceptional bargain.—Bakers Selhurst Radio, 75, Sussex Rd., South Croydon. [8725]

HARTLEY-TURNER Super Speaker, new, perfect; 2 gns.—Fair, 2, Hillcrest Ave., Chertsey. [8784]

LOUD-SPEAKER CONVERSIONS
BAKERS' Triple Cone Conversions Will Immensely Improve Reproduction of Your Present Speaker. No matter what type or make you possess, British or American, you can considerably improve frequency response and quality of reproduction by having a triple cone fitted. Enables you to bring your speaker right up to date and obtain really realistic reproduction at the cost of a few shillings; free descriptive leaflet from the pioneer manufacturers of moving coil speakers since 1925.—Bakers Selhurst Radio, 75, Sussex Rd., South Croydon. [8724]

TRANSMITTING APPARATUS
G5NI for Communication Receivers, American and British valves, short-wave equipment; largest stocks in the country; National Agents.—44, Holloway Head, Birmingham. [0531]

CABINETS
A CABINET for Every Radio Purpose.

SURPLUS Cabinets from Noted Makers Under Cost of Manufacture.
UNDRIILLED Table, console and loudspeaker cabinets; from 4/6.
RADIOGRAM Cabinets; from 30/-.
INSPECTION Invited.
H. L. SMITH and Co., Ltd., 289, Edgware Rd., W.2. Tel.: Pad. 5891. [0485]
OCCUPY Your Mind in the Blackouts!
BUILD Your Own Radiogram.—Marvellous 7-gn. cabinets from £1.—Particulars, Cameo Co., 23, Denmark St., W.C.2. Tcm. 5900. [8772]

DYNAMOS, MOTORS, ETC.
ALL Types of Rotary Converters, electric motors, battery chargers, petrol-electric generator sets, etc., in stock, new and second-hand.
A.C.-D.C. Conversion Units for Operating D.C. Receivers from A.C. Mains, 100 watts output, £2/10; 150 watts output, £2/10.
WARD, 46, Farringdon St., London, E.C.4. Tel.: Holborn 9703. [0518]
A.C. and D.C. Motors from 19/6; new and second-hand, guaranteed; also repairs department.—Easoo, 1-3, Brixton Rd., S.W.9. Phone: Reliance 1694. [0644]

A few suggestions on EASY L-R-S TERMS

(or Cash as you prefer)

FOR YOU & YOUR FAMILY

ARMSTRONG QUALITY ALL-WAVE R-G CHASSIS

You know them! Everybody with a keen musical ear knows them now. Search where you will, it is difficult to find better radio. We can supply any of their models advertised on page 13 on our convenient terms.
Here is an excellent example of Armstrong value: Model 8510, 10 v. Superhel-Straight R-G Chassis, 12 Gns. Plus 5% war increase.
All orders are executed in rotation so SEND TO-DAY for illustrated literature of all models with particulars of our convenient terms.

In addition to the Armstrong range, we shall be glad to quote for all other high-grade equipment, such as Sound Sales Amplifiers, Voigt Speakers, Haynes Radio, Avometers, and PORTABLE A.R.P. RECEIVERS.

Electrical goods are closely allied to Radio, and for many years we have stocked a range of specially selected items all available on easy terms.

SAFETY ELECTRIC FIRES by Morphy-Richards

at Pre-War Prices from 13/6 to 36/-
For economy and heating efficiency it is universally recognised that the parabolic reflector fire stands supreme. The safety features incorporated by Morphy-Richards are usually absent in fires of such moderate price.
An ingenious wall-shoe is supplied with all fires in the "Junior" series. This allows the fire to be fixed on the wall or used as a floor model at will.
JUNIOR STANDARD, 600 w. or 750 w. .. 15/6
JUNIOR TWINBEAM, 750 w. + 750 w. .. 19/6
Illustrated folder giving detail of complete range on request. Delivery from stock.

FOR YOUR WIFE

SAFETY ELECTRIC IRONS with Auto-control. At pre-war prices

To explain all the features of these Morphy-Richard: streamlined irons, which are guaranteed for three years, would take too much space. So send for coloured brochure giving photographic illustrations of the numerous points which take all the "ire" out of ironing. This may not convey much to you, but the ladies will read the information with lively interest.
CHROMIUM MODEL, 4½ lb. 20/-
PORCELAIN MODEL, 4½ lb. 22/6
Delivery from stock.

FOR YOURSELF

VICEROY Non-electric DRY SHAVER

Made by the Rolls Razor Co., this is the handiest shaver obtainable. No soap, brush, water or fuss. It fits the hand snugly and is truly the "Soldier's Friend"—not forgetting the sailor, airman and those on the Home Front. The owner of a Viceroy is not dependent on electric mains—he can shave anywhere at any time. Complete in compact push-lined case, 42/-. Delivery from stock.

SHAVEMASTER Electric DRY SHAVER

In our opinion this is the best electric Shaver made.
The new "475" Comb and hollow-ground cutter gives a closer and faster shave than ever. The powerful brush-type motor is self-starting and can be operated on any voltage from 100-250 v. A.C. or D.C. Complete with resistor and adaptor in leather case, 84/-. Delivery from stock.

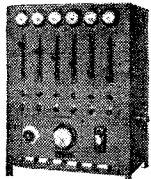
The new "475" comb and cutter fits any old type Shavemaster. We can supply these heads from stock—7/9 post free.

Write TO-DAY for illustrated particulars of the above

Emergency address: Est. 1925
THE LONDON RADIO SUPPLY COMPANY
"Winden," Ardingly Road, Balcombe, Sussex

ELECTRADIX BARGAINS

WINTER CHARGING.



Fine DAVENSET A.S.C.A., 4 circuit A.C. mains charger for up to 80 cells. List price 232. Sale **£14/10/-**. Charge regulators and indicators on panel with switch volt control. Four circuits of 1, 1, 2 and 2 amps., or 3 of 1, 2 and 2 1/2 amps., etc., or one of 50 v. 6 amps. 10 amp. Fine set that will quickly earn its cost and show a good profit. A great bargain at **£14/10/-**. Other chargers at bargain prices are below. Call and see during daylight. Four A.C./D.C. DAVENSET Type G.C. House, Garage Wall Type Charger, 3 circuits, output D.C. 25 volts 6 amps. Trans. tapped for 15 v., 20 v., 25 v. Two independent circuits, max. cell capacity 40 radio cells, **£6/5/-**.

A.C./D.C. DAVENSET CHARGER, Type S.P.C., for 230 volts A.C. to 250 volts 250 m.a. D.C., fitted meter and regulator. As new. **£6/17/6**.

TUNGAR CHARGERS. Two types of these famous sets. One for 70 volts, 6 amps., with meters and controls, etc., will handle 100 cells a day. **£7/17/6**. Another fine Tungar for two 5 amp. circuits with meters and variable volt controls, 75 volts 10 amps. for 200 cells. Bargain. **£12/15/-**. Morrison Valve Rectifier Sets for Arco, or Charging, 230 A.C. to D.C. 60 volts 12 amps., **£14**. Garage A.C./D.C. DAVENSET Type G.C. Wall Type Charger, 3 circuits, output D.C. 25 volts 6 amps. Transf. tapped for 15 v., 20 v., 25 v. Two circuits, max. cell capacity 40 radio cells, complete with valves. **£6/5/-**.

HOME RADIO AND CAR CHARGERS. The A.C. NITNDAY with Westinghouse Rectifiers will keep your battery always fit without attention.

Battery Charging on A.C. Mains. The NITNDAY is the cheapest and best. Model N/A.G. 200/230 volts A.C. and D.C. 6/8 volts 1 amp., 15/-, Model N/B.G. 200/250 volts to D.C., 6/8 volts to 1 amp., 25/-, Model N/C.G. 200/250 volts D.C., 6/8 volts 2 amps., 35/-, Model N/D.12. 200/250 volts to 12 volts 1 amp., 38/-, Ditto, 12 volts 2 amps., with 6 volt tap, 55/-, 5 amp., **£4/10/-**. And many others. We make **SHELTER CHARGERS**, with automatic switchgear and 12/24 volt Batteries to official specification for land shelters.

ELECTRIC IMMERSION HEATERS. Save coal. Armoured bath or bank type with hex. 1,000 watts 230 volts, 25/-.

HEADPHONE SIGNALERS DOUBLE HEAD- PHONES, with flat leather headbands for steel helmet wear, 120 ohms, by S.T. Co., 3/6. 4tt. cords 6d. Single 60 ohm, phones with cord D.H.I. 1/6. FIELD Telephone Exchanges, 3-line and 20-line portable, Twin and Single Cords. HEAD- PHONE CORDS. Service 6ft. fitted 2-p-n plugs and 2-hole socket, 2/-. Radio Phone Cords, 2/6. CRYSTAL SETS. Boudoir, 6/6. B.M. Table, 7/6. LEARNERS MORSE PRACTICE SET. High Grade Model for Buzzer and Light Signals of Army and Navy. Walnut cabinet fitted W.D. turret brass swivel lamp, revolving cap, 4 sizes of light aperture. With Osram 2-volt tube bulb and spare Morse Key and 2-way switch. Adjustable 2-coil Buzzer inside, with battery clips, etc. A superior and useful set, 10/6. Ex-Army Buzzer Transmitter, with fine key and brass case; quick adjustment power Buzzer on mahogany base, by Siemens and A.T.M. Co., 17/6.



MORSE KEYS. First-class at low prices. A good small key on moulded base is the TX pivot arm, excellent for learners, 3/6. Full size, well finished key, all brass, solid pivot bar, adjustable tension, etc., B.2. 7/6. Superior Type P.F., fully adjustable, nickel finish, 9/6. High Grade Type IV, plated fittings, polished wood base, a fine key, 10/6. Special Key on 3-switch box for buzzer and



3 lamps, C.A.V. G.G. BUZZERS, small type, with cover, 1/6. Power Buzzers, with screw contact and adjustable spring armature, 2/6. Heavy Buzzer in Bakelite case, 3/6. Magneto Exploders, 25/-, Field Telegraph Sets. Details on request. Cheap Morse Practice sets available.

CAMP LAMPS. Portable Accumulator Hand Lamps are independent of dry cells. Minors' type, 2 volts, Steel body. Indestructible, 15/-.

Battery, 10/-

SIGNAL LAMPS by Lucas and Aldis, for night and day use, telescope sights, key and discs; for tripod or hand use. Heliographs Mark V, with spare mirrors in leather case, with mahogany tripod, MORSE RECORDING, G.P.O. type inkers, on mahogany base with tape reel under, in first-class order, 26. Lightweight French Army Field Morse Inkers, fold up into wood case, 27/10/-, Super Model Army G.P.O. Field H.Q. Morse Inker, brand new, entirely enclosed and fitted every refinement, current indicator, key, tape container, etc., 48. Mahogany Tape Container, G.P.O., desk top with brass reel in drawer, cost 40/-, for 3/6 only. Morse Paper Reels, 8d.

FIELD SERVICE TESTERS.

DIX-MIPANTA VEST POCKET TESTER. A versatile moving-iron multi-range meter for service on A.C. or D.C. THREE ranges of volts: 0-7.5, 0-150, 0-300. Black bakelite case, 20in. x 20in. with pair of test leads and plugs, 19/6.

ELLIOTT BATTERY TESTERS. Govt. Model 108, Mov. Coil Ammeter and graded discs, 37/6.

LINSEMAN'S DETECTORS, Q. and I. Galvo, in leather Case, 15/-.

HORIZONTAL BRASS-CASED CALVOS, 7/6.

CELL TESTERS, Megger 3-0-3 mov. v. coil, Aluminium Case, 25/-.

LISTENING MIKES, steel-clad Electradix, indestructible; are ears outside your dug-out. Also Service Countermine detectors for underground use.

BELLS. G.E.O. type trembler Circular Desk Bell, with movement in gong 1/6. Wall Bells, trembler, 2/6. Ditto, large size, 7/6. Signal Bells, large, metal 12-volt single stroke Bells, 10/-.

Home Recorders, Acoustic, 5/6, 10/6, 15/-, Feigh Electric, 37/6.

EMERGENCY PARCELS of useful stand-by electrical and radio repair material and apparatus, 7 lbs. for 5/-, Post Free.

ELECTRADIX RADIOS
218, UPPER THAMES STREET, LONDON, E.C.4
Telephone: Central 4611

VALVES

ALL Types of American Tubes in Stock of Impex and Arcurus makes at competitive prices. We Can Also Supply a Full Range of Guaranteed Replacement Valves for Any British non-ring, American or Continental type at an appreciably lower price. SEND for Lists of These, and also electrolytic condensers, line cords, resistances, etc. CHAS. F. WARD, 46, Farringdon St., London, E.C.4. Tel.: Holborn 9703. [0452]

TEST EQUIPMENT

Wanted

REQUIRED Immediately, 46-range Universal Avometer Model 7, in second-hand or shop soiled condition; must be in perfect order; please write, with details, to Box 1271, c/o The Wireless World. [8778]

COMPONENTS SECOND-HAND, CLEARANCE, SURPLUS, ETC.

PREMIER RADIO.

PLEASE See Our Displayed Advertisement on page 5.

SOUTHERN RADIO'S Bargains.

ALL Articles Fully Guaranteed. Postage extra.

5/-.-Parcel of useful components, comprising condensers, resistances, volume controls, coils, wire, circuits, etc., etc., value 25/-, 5/- per parcel.

10/-.-Parcel of useful components, comprising 100 articles, including electrolytics, valve holders, etc., etc., value 55/-, 10/- per parcel.

21/-.-Small traders' parcel of components, comprising at least 150 articles, including 24 assorted tubular condensers, 24 valve holders, 36 resistances, 12 Mainsbridge type condensers, 6 electrolytics, etc., etc., value 85/-, 21/- per parcel.

5/-.-Twelve Mainsbridge type condensers, 1-2-4 mfd.; 5/- per dozen.

7/6.-24 assorted tubular condensers, up to 2 mfd. 7/6 for 24; Telsen 3-range meters (volts and milliamps), 4/-; Morse tappers, 2/11.

BUZZERS, 1/6; crystal detectors, 2/-; crystal sets, 5/6; crystals, 6d.

2/6.-Ormond loud speaker units, 2/6; A.C. eliminators, with trickle charger, 37/6.

IN Spite of Increased Costs of Production, whilst our present stock lasts no increase will be made in prices. It is, however, advisable to buy now. Thousands of bargains for callers.

SOUTHERN RADIO, 46, Lisle St., London, W.C. Gerrard 6652. [8904]

LONDON CENTRAL RADIO STORES, 23, Lisle St., W.1. Gen. 2969.

OFFER the Following Lines.

MAZDA Univ. Pentodes, 3520, 4/3; Cossor battery, Z10, S.P.T., 4/6; Cossor battery, H.F. or Det., 2/6; ex-G.P.O. relays, 1-, 2- or 3-contact res., 2,000 ohms, 2/6, 3/6, 4/6; 5lb. boxes of surplus condensers. Resistors, trimmers, knobs, etc., 2-6 Mazda 1,000-watt 110-volt lamps, 10/-; ex-R.A.F. accumulators, 12-volt, 25 amp., actual non spill, 27/6; B.I.25 condensers, 1,000-volt working, 2/6; 0.1 ditto 1,000-volt working, 2/3; selection of chargers, rectifiers, units, motors, too numerous to advertise; call or write requirements.

LONDON CENTRAL RADIO STORES, 23, Lisle St., W.1. [8790]

RADIO SUPPLIES.—Special Xmas offers.

THE Latest 1940 Lissen 6-valve All-wave High Fidelity Receiver, large output valve, with negative feed-back H.E. amplifier on all wavebands, 2-speed tuning, housed in a beautiful walnut cabinet, listed at £132/6; all in sealed carton; special offer, £9.

"SPORTSMAN" All-dry Battery Portable 4-valve Superhet, 2 wavebands, 40-50 stations, weighs only 13.5 lb.; £5/12/6; complete with batteries.

A FEW "Dumont" 4-valve A.C.-D.C. Midgets, no aerial or earth required; £3/15.

"AUTOMATIC" 5-valve Car Radios, fits any car, 6- or 12-volt; all in sealed carton; £3/17/6.

AMERICAN C.T.S. Volume Controls, with switch, 3in. spindle; sizes, 1 meg, 1/2 meg, 1/4 meg, and 50,000; 1/9 each or 18/- a dozen.

AMERICAN Electrolytic Condensers, 500-volt working, 8+8 mfd., 4 leads, 21/- each, 21/- dozen; midget size, 1/11 each, 20/- dozen; 2 mfd. 500 volt, 10d. each, 7/6 dozen; 0.1 mfd. 450 volt, 2/6 a dozen, £1/4 a gross.

DUBILLER Electrolytic Condenser Banks, replacement for Marconi, H.M.V. and G.E.C., 570-volt working, 14+7+7+3+3+20+10 mfd.; 3/- each.

G.E.C. American Type Mains Transformers, 350-0-350 volt, 120 m.a., 6.3v. and 5v. filaments, 200-250v. primary; 6/-.

A Suitable Amount Must be Included for Postage.

RADIO SUPPLIES, 22, Faraday Av., Manchester. 8. Tel.: Col. 1261. [8795]

TAYLOR Precision-Built ALL WAVE SIGNAL GENERATOR



TEST IT FREE

Mains operated, it covers 6.5 to 3,000 metres, 100 kc. to 46 mc. in 6 bands, directly calibrated. Almost constant output, low harmonic content. Up to 50% variable internal or external modulation. Saves hours of tedious work.

Models for A.C. A.C.-D.C. & Battery Operation.

BRITISH MADE AND FULLY GUARANTEED.

11 GNS.

Our range includes Multi-Range Meters, Valve Testers, Oscilloscopes, etc.

To TAYLOR ELECTRICAL INSTRUMENTS Ltd 45, Fouberts Place, Regent Street, London, W.1

Please send me particulars or arrange for me to have a FREE TEST (Strike out whichever is not required) of your Multi-Meters, Valve Testers, Oscilloscopes. Put tick after whichever you are interested in.

Name.....
Address.....

Partridge

DISTORTION LESS OUTPUT TRANSFORMERS

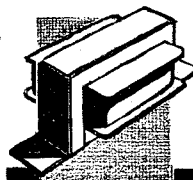
12W. PUSH-PULL TYPE any single ratio to order

38/6

The recent articles in the "Wireless World" disclosing methods of determining and reducing Harmonic Distortion in Output Transformers has aroused enormous interest amongst sound engineers. For the benefit of those who missed the series and for those who wish to have the articles in bound form for filing purposes, reprints are now available direct from:

N. PARTRIDGE, B.Sc., A.M.I.E.E. King's Buildings, Dean Stanley St., London, S.W.1.

Phone: VICTORIA 5035.



NOTE:—These reprints are costly and limited in number. All genuinely interested are welcome to copies, but please do not send for one out of curiosity alone.

COMPONENTS—SECOND-HAND
CLEARANCE, SURPLUS, ETC.

R.
RADIO CLEARANCE, Ltd.
63, High Holborn, W.C.1. Phone: Holborn 4631.

FILAMENT Transformers, input 200-250 volts, output 4 volts, 4 amps., 4 volts 6 amps.; 4/11 each.

G.E.C. Mains Transformer, American windings, 350-0-350 volts, 65 m.a., 5 volts 2 amps., 6.3 volts 2.5 amp.; suitable for replacement in G.E.C. models; 5/6 each.

24 Mid. Can Type Electrolytics, 450 volts working; 1/6 each.

T.C.C. 8 mfd. Can Wet Type Electrolytics, 450v. working; 1/3 each.

PRESS Button Units, with 6 press buttons, ready for wiring into set, with circuit; 6/11 each.

WEARITE Set of Two Iron Cored Coils, aerial and H.F. transformer, with diagram; 2/11 each.

BULGIN 20 Ohms Wire Wound Pots.; 1/- each.

STRANDED Push Back Wire, 1d. per yard, 12 yards 10d.

CHASSIS Mounting Valve Holders, American, 4-5-6 and 7-pin, 4d. each; Octals, 6d. each; Loctals, 10d. each; 7-pin English type, 3d. each.

ROTHERMEL Piezo Crystal Speakers, 7½in. cone, list 55/-, our price 10/6 each; 10in. cone, 12/6 each.

CRYSTAL Pick-up, high grade American, bronze finish, complete with arm; 21/- each.

POLAR N.S.F. 1 Watt Resistances, 4d. each, 3/9 dozen; all sizes up to 2 meg.

WEARITE Mains Transformers.—R.C.B. type, 350-0-350v. 80 m.a., 5 volt 2 amps., 6.3 volts 5 amps.

TYPE R.C.4., 500-0-500v., 150 m.a., 4 volts 2 amps., 4 volts 2.5 amps., 4 volts 5.6 amps.; 21/-.

PHILCO Mains Transformers, American windings, 350-350 volts, 65 m.a., 6 volts 3 amps., 5 volts 2 amps., 5/- each; ditto but 80 m.a., 6/6 each; ditto but 90 m.a., 7/6 each.

WEARITE 110 K./C. I.F. Transformers; 1/- each.

AMERICAN C.T.S. Volume Controls, finest made, divided spindles, length 2½in. with switch, 2,000, 5,000, 10,000, 25,000, 100,000, 2/6 each; wire wound, 5 watt (less switch), 10,000, 25,000 ohms; 2/- each.

WEARITE Chokes, screened; 1/6 each.

PLESSEY Dry Electrolytics, can type, 12x6 mfd., 500 working, 1/6 each; 12x16 mfd., 350 volts working, 1/6 each; 16x8 mfd., 475 volts working, 1/6 each; 6x6 mfd., 500 volts working, 1/6 each; 12 mfd., 450 volts working, 1/6 each; 8x8x8 mfd., 500 volts working, 2/11 each; 16x8x4x4 mfd., 500 volts working, 2/11 each; 12x8x8x8 mfd., 500 volts working, 2/11 each; 16 mfd., 450-volt working, 1/3 each; 16x16 mfd., 350 volts working, 1/6 each.

B.I. Wire-end Type Bias Electrolytics, 50 mfd., 12 volts, 1/3 each; 50 mfd., 50 volts, 1/6 each.

TUBULAR Wire-end Non-inductive Paper, all sizes up to 0.1, 5d. each; 4/9 per dozen.

METAL Case, 1-hole fixing, electrolytic condensers, 550 volt working, 8 mfd.; 2/6 each.

STANDARD Telephone Headphones, resistance 2,000 ohms and 4,000 ohms; 6/11 per pair.

VOLUME Controls, 1,000 and 5,000 ohms, with switch; 1/3 each.

0.0005 3-gang Tuning Condenser Units, with trimmers; 2/11 each.

PLESSEY Energised Speakers, 1,500 ohms field, 8in. cone, with trans., 7/11 each; 10in. cone, 2,500 and 1,000 ohm field, with trans., 12/6 each; 6in. cone, 2,500 and 1,500 ohm field, 5/11 each.

RUBBER Grommets; 4d. dozen.

BATTERY Output Pentodes, well-known make; 4/6 each.

BATTERY Double Diode Triode, well-known make; 3/11 each.

RANTHEON First Grade Valves, largest stockists, all types in stock, including glass series, glass octal series, metal series, bantam series, single-ended metal series, and resistance tubes, all at most competitive prices; send for valve lists.

ALL Orders Must Include Sufficient Postage to Cover.

HOURS of Business: 9 a.m.-6 p.m. week-days, Saturdays 9 a.m.-1 p.m.

RADIO CLEARANCE, Ltd., 63, High Holborn, London, W.C.1. Telephone: Holborn 4631. [3793

**FOR
A
FIRST
CLASS
CHASSIS
RECEIVER**

OR
RADIO - GRAMOPHONE

**RELY
ONLY
ON**

AMBASSADOR

PRICES

FROM £9 TO £30-10-0

**OBTAINABLE ALL OVER
THE WORLD**

**FOR LITERATURE
SEND TO**

R. N. FITTON LTD

**AMBASSADOR RADIO WORKS
HUTCHINSON LANE
BRIGHOUSE
YORKS**

'Phone - - - 283

COMPONENTS—SECOND-HAND
CLEARANCE, SURPLUS, ETC.

RYALL'S RADIO, 280, High Holborn, London, W.C.1, offer new goods, post free.

ELLIPTICAL Speakers, Celestial, suitable Ekco replacements, 750 and 1,250 ohms, less transformers, speech 25 ohms, new, handle 8 watts, carry up to 120 m.a.; 3/9 each to clear.

SPEAKERS, pairs, brand new, elliptical cone speakers, made by first class firm, quality of reproduction outstanding; push-pull pentode transformer, fields 325 ohm for smoothing choke, 8,600 as bleeder, circuit available, handle 10-15w.; 12/9 pair.

HEAVY Duty Mains H.F. Chokes, Goltone, 75w. high inductance type, 1/6; 180w. low inductance type, 1/-.

MAINS Transformers, drop through chassis type, top cover with mains adjustment, input 200-250v., outputs 350-350, 80 m.a. 4v. 2½a., 4v. 4.5 amp., heavy jobs, 6/9 each.

B.I. 0.05 Non-inductive Tubulars, 350v. wkg., new stock, 1/3 doz, 9/- gross; Cornel-Dublier mica, sizes 001, 002, 003, 1/3 dozen.

PICCYCLIC Drives, Polar ex Ferranti, and Plessey, long or medium spindles, ratio 10-1; two for 1/3 or 3/9 dozen.

PLESSEY Fully Screened 2-gang Condensers, short spindles, with top trimmers, 2/9; Plessey mid-get 2-gangs semi screened, 2/9; both 0005 straight type.

PLESSEY 3-gang Straight Type Condensers, top trimmers, fully screened, brand new, 2/9; Cossor 3-gangs d'tto, 1/9, or 12/- dozen.

FERRANTI Air Core Type Tuning Coils, transformer wound, can be used as band pass, tuned grid with reaction, chassis type; three for 2/6, with coil connections.

I.F. Caps, All, size 1½x1½x4in. high, complete with double trimmers, 4/9 dozen; Erie 60 ohm. ½ watt resistances, 1/3 dozen; NSF 1 watt ½ megs, 1/3 dozen; 600 c.m. wire wound 3 watt resistances, four for 1/3.

THIMBLE Top Caps, 24 for 1/3; clip on bulb holders, 12 for 1/3; Volume controls, ½ meg. with switch, Morganic Stackpole, ex K.B., 1/9; Murphy type ½ meg. with D.P. switch, 1/9.

BRITISH Type Magic Eye Valves, 4v. ¼a. heater, octal base, 3/3; American wafer type 4 and 7 pin valve holders, 2/3 dozen; British 5 and 7 pin VII, 2/6 dozen.

MAGNAVOX 7in. Cone Speakers (8in. overall), ribbed pattern, ideal replacement speakers, 2,000 ohms pentode transformers; 7/-, new.

SATOR ½meg. Pots with Switch, 1/3 each, 7/9 dozen; 10,000 ohm broad base tone control type, less switch, 1/5 each, 6/9 dozen.

ELECTROLYTICS, B1, 20x20 ml. at 350v., 25x25v., 1/3; size 3in.x2½in., B1 2x2x2, 400v., peak, 1/5 each, 6/- doze 1; 25x25v., 1/3; Plessey 30x8x2, 300v. wkg., 1/6 each, 12/- dozen.

SATOR 1,500v. Test Tubular Condensers, assorted, equal numbers, 0.002-3-5, 0.001, 0.03, 0.05, 0.002-3, mica; all at 50 for 2/6

ASSORTED Resistances, 50 for 2/6; 1-watt carbon, U.S.A. make, reasonable assortment given, sizes approx. 450-12,000-17-60-70-90-120 thousand ohms.

PUSH Back Wire, 18g., 50 yards, 3/6; Systoflex ½ mm., ½ gross, 5/-; twin screened 2x14-36, British made, 12 yards, 2/6; minimum quantities.

REX Type Switches, 4B 2P 4w., with shorting plate on 5 switches, 2/6 each, length 7in., spindle 2in.; ditto, 3w. 4P. 3B. 1/6; 3w. 3P. 3B., with shorting plate, 1/6; 3w. 2P. 4B., 1/6; any combinations of this item supplied; screens, 3in.-¾in.x3in.-¾in., 5 for 1/3.

TRIMMERS on Porcelain Plessey, double and single, 50-100-200-130 ohm. approx.; 50 for 2/6; special price quantities.

PLESSEY 6,500 ohm. 8in. Speakers, with pentode transformer, 6/6; U.S.A. valve screens (goat), complete, 3 for 1/4.

SCREENED Leads about 4 yards, 3-way, two only screened, 1/3; extra heavy for car sets, with spades, 1/3, 2½ yards.

HAMMERLUND 30mm. Midget Trimmers on Pazo-lin, 1/9 dozen; ultra type brown knobs, octangle, plain arrow, L.S. 1/9 dozen, 9/6 gross assorted, 10/6 gross plain or arrow.

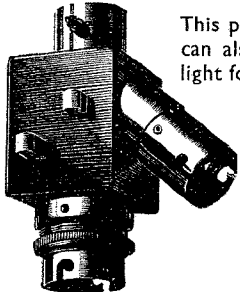
SMALL Iron Core Coils, made by Varley, aerial and oscillator, 465 k/c, 2/6 pair, with coil connections for straight type gang.

SPECIAL Offer, 2v. valves, similar to Triotron, HD2, SD2, TD2, ZD2, UD2, all 2/- each, new; also type 46 U.S.A., 5/6, A.C. Class B.

WEARITE 110 kc. I.F.'s with Top Trimmers, 1/6 each; sets band pass air core superhet coils, ex Halycon, screened chassis type, 4/9 set five; 110 kc. with coil details. [8796

CLIX SAFEWAYS ADAPTORS

You can use your Radio and other electrical appliances in any room and secure their full benefit throughout your home by fitting a SAFEWAYS Adaptor in your existing lampholder. To nullify the depressing effects of the "Black-out" fit a SAFEWAYS adaptor with a low-wattage lamp in the branch outlet and the usual lamp in the other. You can then enjoy normal lighting knowing that, should it be necessary, dimmed lighting can be switched on at a moment's notice.



This particular arrangement can also be used as a night-light for children or invalids, but is merely one of many ways in which SAFEWAYS can increase the convenience of your electrical installation—quickly, cheaply and safely.

ASK YOUR DEALER for "SAFEWAYS"
Single Switch, 1/10; Double Switch, 2/3;
Cord Control 2/6 each.

A CLIX product made by:—
BRITISH MECHANICAL PRODUCTIONS LTD.,
1, Church Road, Leatherhead, Surrey

Dits and Dahs!!

THIS IS THE LANGUAGE OF THE AIR THAT EVERY RADIO AMATEUR, PILOT, SHIP'S OPERATOR, ETC. MUST BE ABLE TO READ AND SEND. IT IS EASILY AND QUICKLY LEARNED BY THOSE WHO TAKE UP A **CANDLER CODE COURSE**



In the "Book of Facts," which will be sent Free on request, you will see that full information is given concerning the subjects covered by Courses for Beginners and also for Operators who desire to greatly increase their w.p.m. speeds.

THE CANDLER SYSTEM not only teaches you the right way to send, but the right way to read code sound just as easily as you read print by sight.

JUNIOR Scientific Code Course for beginners. Teaches all the necessary code fundamentals scientifically.

ADVANCED High-Speed Telegraphing for operators who want to increase their w.p.m. speed and improve their technique.

TELEGRAPH TOUCH-TYPEWRITING for those who want to become expert in the use of the typewriter for recording messages.

Either Course is supplied for Cash or on Monthly Payment terms.

COUPON

Please send me Free and without obligation a copy of the Candler "Book of Facts."

NAME.....

ADDRESS.....

Post coupon in 1d. unsealed envelope to London Manager
(Room 55W) 121, KINGSWAY, LONDON, W.C.2

CANDLER SYSTEM CO.

Candler System Co., Ashville, North Carolina, U.S.A. (12)

COMPONENTS—SECOND-HAND CLEARANCE, SURPLUS, ETC.

VAUXHALL—Collaro A.C. gramophone motors, boxed, 29/-; flat sheet aluminium, 12x12in., 3/-; 12x18in., 4/-; 18x18in., 5/6.

VAUXHALL—Rola G12 P.M. loud speakers, 69/6; G12 energised, 55/-; brand new, with input transformers.

VAUXHALL—Rola 8in. P.M. speakers, 14/9; Rola 10in. P.M., 18/6; Rola 10in. energised, 2,500, 19/6; all new, complete input transformer.

VAUXHALL—T.C.C. aluminium containers, 8 mfd. 600v., 3/-; T.C.C. cardboard containers, 8 mfd. 500v., 2/-; 8+8 mfd., 3/6.

VAUXHALL—Iron-cored coils on base, with switch, terminals, circuit, 2-gang, 12/6; 3-gang, 19/6.

VAUXHALL—Three-band 2-gang coils for mains superhet, switch, terminals, 18/-; volume controls, 2/-; with switch, 3/-.

VAUXHALL—Bar-type condensers, straight 0.0005 mfd., trimmers; 2-gang, 6/6; 3-gang, 8/6; full-vision drives, station named, 6/-.

VAUXHALL—Polar 4-gang straight 0.0005 mfd., screened, trimmers, 13/6; Clix chassis valveholders, 5-pin 5d., 7-pin 6d.; 1-watt resistors, 4d.

VAUXHALL—Electrolytic condensers; 50 mfd. 50v., 1/9; 50 mfd. 12v., 1/6; 0.1 mfd., 3d.; tubular types.

VAUXHALL UTILITIES, 163a, Strand, London, W.C.2. Write for new free list. [8792]

"12" B.T.H., A.C., 18in. Epoch, 200v., cost £26; exchange Voigt or Goodmans Infinite Baffle, or sell.—3rd Floor, 120, Drury Lane, W.C.2. [8783]

COULPHONE RADIO, Ormskirk—Collaro A.C. motors, 12in. turntable, 24/-; with pick-up, 39/-; Rola G12's, energised, 52/6; P.M., 65/-; 1 1/2d. stamp lists. [8779]

5/- Only—Bargain parcel comprising speaker cabinet, drilled steel chassis, condensers, resistances, and many other useful components, worth 35/-, limited number; postage 1/-.—Bakers Selhurst Radio, 75, Sussex Rd., South Croydon. [8723]

MAINS RADIO DEVELOPMENT COMPANY Carry On Their Super Service, under management of proprietor's wife; list 232 contains many fine bargains; send stamp; please note new address; orders sent carriage paid or C.O.D.

ERIE Unused One-watt Resistors, all sizes; 4d. each, 3/6 dozen; two-watt, 7d.

CENTRALAB Unused Latest Potentiometers, long standard spindle, all sizes, 2/3, with switch 2/6.

DUBILIER Unused Mica Condensers, midjet tags, 0.00005 to 0.00005 mfd., 3d. each, 2/9 dozen.

CLIX Latest Unused Chassis Valve Holders, English 5-pin, 7-pin, 4d.; all American sizes, 6d.; standard sleeving, 1 1/2d. yard.

B.I.C. Unused Metal Can, one hole, dry 8 mfd., 500 v.w. electrolytics, 2/6; T.C.C. card case, 8 mfd. 500 v.w., 2/-.

N.S.F. Wire End Resistors, unused, eighteen useful marked and colour coded sizes in each parcel, 50 resistors, 2/6; 20 resistors, ten sizes, 1/-; 1/2, 1, and 2 watt.

TUBULAR Condensers, unused, best make, wire ends, 400 v. working, 0.0001 to 0.1 mfd., 4d. each; 0.25, 0.5 mfd, 8d.

MAINS RADIO DEVELOPMENT COMPANY, 52a, Church Crescent, Muswell Hill, London, N.10, Tudor 4046. [8709]

15/- Beldon Doublet Aerial Kit, 20/- ditto super kit, both cost double; 25/- Gen-e-motors, 12v.-250v.-50 m.a.; 18/9 Mallory vibrator converters with filters, 12v.-185v.-40 m.a. Send for list of amazing clearance bargains. Satisfaction guaranteed, money refunded.—Aeronautical Radio Company, River Rd., Littlehampton 770. [8773]

Wanted

WANTED—A.C. record changer; particulars, price.—Robb, 44, Lodge Avenue, Leeds, 12. [8769]

WE Buy for Cash All Types of Modern Second-hand Radio Sets and Accessories, test meters, parts, etc. We pay more than any other dealer. Part exchanges. Bring, send or will call.—University Radio, Ltd., 238, Euston Rd., London, N.W.1. 'Phone: Euston 3810. [8786]

MISCELLANEOUS

EVERY Radio Dealer Who is Not a Regular Reader of "The Wireless and Electrical Trader" should send his trade card at once for a specimen copy and full details of the "Trader" Services. "The Wireless and Electrical Trader" has the widest influence, the largest weekly circulation, and is read by all the leading manufacturers and traders. Trade only. 15/- per annum, post free.—Published at Dorset House, Stamford St., London, S.E.1. [0615]

TRIX SOUND EQUIPMENT

is in constantly increasing demand for public address installations where Reliability and Quality are the prime considerations.

★ **A.C. and A.C./D.C. Amplifiers, 12 volt Battery Models, 2 way Loudspeaking Systems. Rack type equipments, etc., for Factory speech and music installations, A.R.P., Hospitals, also Dance Band Equipments, etc., etc.**

THE TRIX ELECTRICAL Co., Ltd.
65, BOLSOVER STREET, Gt. Portland Street,
London, W.1. 'Phone: Euston 5471/2.



V.5 BALANCE TYPE TUNABLE REFLECTOR for Anode Circuit use in HI-PI Sets.....30/-
Type V.6, similar, but for Grid Circuit use.....28/-
Simpler Tuned Types—V.2, with switched cut-off.....19/6
"Q.A.S." Tunable.....12/-
SCRATCH FILTERS, also TONE CONTROL CHOKES, are still available. LIST FREE.
POSTLETHWAITE BROS.,
"Kinva Works," KINVER, STAFFS

POLYSTYRENE INSULATION

The best U.H.F. Insulator in Rod, Tube and Sheet.

ALSO S. W. COMPONENTS—

Ultra low-loss-employing polystyrene, including Variable Condensers, Coils, Chokes, etc.

Full particulars in our New Catalogue.

Enclose 2d. stamp.

DENGO WARWICK ROAD, CLACTON, ESSEX
Tel.: Clacton 1387 & 770.

WARD WE MANUFACTURE:

ROTARY CONVERTERS
DC/AC for operating P.A. amplifiers, Radio Receivers, etc.
DC/DC ROTARY TRANSFORMERS, SMALL ALTERNATORS, SMALL D/C MOTORS, H.T. GENERATORS. MAINS TRANSFORMERS up to 10 k.v.a. **PETROL ELECTRIC** generator sets up to 50 k.v.a.
BATTERY CHARGERS for private and industrial use.

We can also handle general small engineering work.

Full details of any of the above upon request

CHAS. F. WARD
46, FARRINGTON ST., LONDON, E.C.4
Telephone: Holborn 9703.
Works: Bow, E.

MANUFACTURERS' REQUIREMENTS

Frank Heaver Ltd.

Bush House, London, W.C.2

— REPRESENTING —

- CROWE NAME PLATE & MANUFACTURING CO.
- ASTATIC MICROPHONE LABORATORIES INC.
- HAMMARLUND MANUFACTURING COMPANY
- RAYTHEON PRODUCTION CORPORATION
- GENERAL INSTRUMENT CORPORATION
- P.R. MALLORY COMPANY INC.
- STEVENS PAPER MILLS INC.
- KURZ KASCH COMPANY
- ALLEN BRADLEY COMPANY
- F. W. SICKLES COMPANY
- EICOR INCORPORATED.

Also manufacturers of valve shields, coil cans, sockets, etc., etc.

Apart from the specialties produced by those manufacturers whose names are listed our associations in the United States are such that we can rapidly secure for you quotations in respect of special material which you may find difficult to obtain at the present time.

Telephone : TEMple Bar 2087.

REPAIRS AND SERVICE

L.S. Repair and Rewinding Service.—Prompt service, see below.

REPAIRS to Moving Coil Speakers a Speciality, new cone assemblies fitted, speech coils and fields wound or altered, mains transformers, chokes and eliminator repairs; prices quoted.

SPEAKER Transformers Class "B" L.F. transformers and pick-ups rewound at 4/- each. Post free. Discount trade. Estimates free. Guaranteed satisfaction.—L.S. Repair Works, 5, Balham Grove, London, S.W.12. Phone: Battersea 1321. [0394]

GUARANTEED Repairs, any transformers, choke, motor armature, converter, dynamo, etc.; keenest prices, immediate quotation, prompt, dependable service.—See below.

L.T.P. (LONDON) TRANSFORMER PRODUCTS, Ltd., Willesden, N.W.10. Willesden 6486 (3 lines). [6892]

MAINS Transformer Service, repairs, rewinds, or construction to specification of any type, competitive prices and prompt service.—Sturdy Electric Co., Dipton, Newcastle-on-Tyne. [0516]

METROPOLITAN RADIO SERVICE.—Guaranteed repairs to American and British receivers; American valves, service parts and rewinds; trade supplied.—1021, Finchley Rd., N.W.1. Speedwell 3000. [0435]

CHALLENGER RADIO CORPORATION.—Repairers of British and American receivers to the trade; lowest prices with good workmanship; "service with a guarantee"; also speakers, transformers, coils, etc., rewound.—Challenger Radio Corporation, 31, Craven Terrace, Lancaster Gate, London, W.2. Paddington 6492. [8788]

SITUATIONS VACANT

AIR MINISTRY.

CIVILIAN Wireless Instructors Required.

VACANCIES Exist for Civilian Wireless Instructors at the Electrical and Wireless School, Royal Air Force. The commencing rate of pay is £4 a week inclusive, which may be increased to £4 5s. a week after a short period of satisfactory service. Candidates must be capable of lecturing and must have a sound knowledge of electrical principles and their application to Radio and low-power electrical engineering. Applications should be addressed to the Under Secretary of State, Air Ministry, Savoy Hill House (S.5.d.), London, W.C.2, giving full particulars as to previous experience, age, etc. Candidates will be required to appear before a Selection Board at the School for interview and test. The test will include the giving of a lecture on any subject which may be chosen by the candidates, involving the principles of modern radio. Lecturing sequence and style are most important. [0571]

AIR MINISTRY.—Civilian Wireless Instructors Required.

VACANCIES Exist for Civilian Wireless Instructors at the Electrical and Wireless School, Royal Air Force. The commencing rate of pay is £4/5 a week inclusive, which may be increased to £4/10 a week after a short period of satisfactory service. Candidates must be capable of lecturing and must have a sound knowledge of electrical principles and their application to radio and low-power electrical engineering. Applications should be addressed to the Under Secretary of State (S.5.d.), Air Ministry, Kingsway, W.C.2, giving particulars as to previous experience, age, etc. Candidates will be required to appear before a Selection Board at the School for interview and test. The test will include the giving of a lecture on any subject which may be chosen by the candidate involving the principles of modern radio. Lecturing sequence and style are most important. [0616]

RADIO Service Engineer, able to repair all makes, drive van, permanent situation to good all round man, prospects.—164, Grays Inn Rd., W.C.1. [8774]

FULLY Qualified Radio Engineer Required, evacuee reception area, permanency, comfortable, excellently equipped workshop.—Box 1252, c/o The Wireless World. [8776]

SENIOR Draughtsman Required, electrical, used to design of apparatus, layout, wiring diagrams for aircraft or high-speed marine craft; South Coast; state age, experience, salary required, Box 1270, c/o The Wireless World. [8777]

MECHANICAL Designer Required to Undertake Development of Mechanical Details and Small Mechanisms Associated with Radio Transmitter and Electrical Apparatus; knowledge of radio an advantage but not essential; applicants should have sufficient knowledge of manufacturing processes to enable them to produce completed designs after initial details of requirements have been outlined.—Apply, with experience, age and salary required, to Box 1282, c/o The Wireless World. [8780]

GALPINS
ELECTRICAL STORES

75, LEE HIGH ROAD, LEWISHAM, LONDON, S.E.13

Telephone : LEE GREEN 5240

Terms : Cash with Order or G.O.D. Charges extra.
ALL GOODS SENT ON THREE DAYS' APPROVAL AGAINST CASH

EPOCH EX CINEMA PUBLIC ADDRESS MOVING-COIL SPEAKERS. 15in. cone, 15-ohm speech coil, 6-volt field, 27/6 each. C/F.
WESTINGHOUSE H.T.10 RECTIFIERS, 200 volts, 100 m/amps, output (new), 7/6 each, post 1/-.

WESTON (301) MOVING-COIL MILLIAMMETERS, as new, 0 to 3 m/a., 25/-; 0 to 50 m/a., 20/-; 0 to 200 m/a., 20/- each.
ELLIOTT MOVING-COIL 0 to 3 Amp. TESTING SETS, 5in. dial, with variable resistance, 12 ports, case, 15/- each.
G.E.C. 100-VOLT 1/2 H.P. D.C. MOTORS, 1,750 r.p.m., in good condition, double-ended spindle, 12/6 each. C/F.

PHILIPS MAINS TRANSFORMERS, input 200/240 volts, output 2,000/0,2,000 volts 200 m/a., also 2 L.T. windings, 25/- C/F.
STEEL CABINETS, Useful for transmitting or power amplifier racks. Size 40 x 24 x 16in., 12/6 each. C/F.

ELECTRIC LIGHT CHECK METERS, for Sub-lettings, Garages, etc. 200/250 volts, 50 cy., 1-ph. supply 5, 10, or 20 amps, 6/- each, post 1/-.

G.E.C. A.C. INDUCTION MOTORS, 1/2 h.p., 45 volts, 25 cy., 3-phase, but suitable for rewinding to local supply mains voltage (double-ended shaft) 20/- each. C/F.

WESTON (501) AND E. TURNER (909) 2in. DIAL MOVING-COIL MILLIAMMETERS, as new, 0 to 5 m/a., 17/6; 0 to 25 m/a., 16/6; 0 to 50 m/a., 15/-; 0 to 250 m/a., 15/- each.

MULTI-CONTACT RELAYS, EX-G.P.O., as used in automatic exchange, condition as new, small size, suitable for automatic timing for press-button control, heavy platinum contacts, 2/6, post 3d.; 2 for 4/-, post 6d.; 3 for 6/-, post 6d.

ELECTROLYTIC CONDENSERS, 8 mf., 50 v., 4 mf., 250 v.; 6 mf., 450 v., 1/3 each, post 3d.; 8 x 8 mf., 450 v., 2/-; 8 x 16 mf., 450 v., 2/-; and 8 x 8 x 2 mf., 450 v., 2/- each, post 3d.

VOLTAGE CHANGING TRANSFORMERS (Auto. wound), 12 months' guarantee, 100/110 to 200/240 volts or vice versa, 250 watts, 21/-; 500 watts, 25/-; 750 watts, 32/6; 1,000 watts, 37/6; 1,500 watts, 50/-; 2,000 watts, 62/6.

HIGH VOLTAGE TRANSFORMERS for Television, Neon, etc. 200/240 v. 50 cy. 1-ph. primary, 5,000 and 7,000 volts secondary, enclosed in petroleum jelly. Size: 5 1/2 in. x 4 1/2 in. x 4 1/2 in., 7/6 each, post 1/-.

Ditto, skeleton type, 5/6, post 9d. All brand new.
MAINS TRANSFORMERS, 200/240 volts input, 12 and 24 volts at 4 or 6 amps. output (useful for model trams, etc.), 15/- each, post 1/-.

EVERSHED EX-R.A.F. HAND-DRIVEN GENERATOR, in new condition, 800 volts 30 m/a. and 60 volts 2 1/2 amps. D.C. Useful as megger genies and all test work. 2/0/- each, post 1/6.

EX-G.P.O. GLASS TOP RELAYS, Type B. Useful as Keying Relays, 5/- each, post 6d. Also a few only that need points, which are easily fitted, 2/6 each. C/F.

T.C.C. 2,000 MF. ELECTROLYTIC CONDENSERS, 50-volt working (brand new), 5/- each, post 6d.

STANDARD TELEPHONE BELL WIRE, all brand new, 150-yd. coils, twin 22 gauge, 4/-, post 9d.; 250-yd. coils, single 18 gauge, 4/-, post 1/-; 300-yd. coils, single 22 gauge, 3/-, post 6d.

MOVING COIL MOVEMENTS, complete in case with pointer, very low m/a., full deflections, 4 1/2 in. dia., 5/-, post 6d.; 4 in. dia., 6/-, post 9d.; and 6 in. scale, 7/- each, post 9d.

PUSH-BACK WIRE, 22 gauge, 220-yd. coils, as new, price per coil, 3/6, post free.

MORSE INKER. Tape recording machine, complete with high-grade clockwork motor and actuating sounder and full linking mechanism, price, 60/-.

LARGE SPARK COIL, in teak case, size 30in. x 14in. x 12in., primary 160/220 v. D.C. output, full 10in. spark, condition as new, price, 70/- C/F.

ROTARY CONVERTOR by "Marconi," 100 v. D.C. input, output, 100 v. 2 1/2 amps. A.C. single phase 800 cycles, price, 35/- C/F.

A.C. GENERATOR, by "Crompton," output 70 v. 500 watts, self-exciting, totally enclosed, price, £4 10s.

EX-G.P.O. COMBINATION HAND PHONES, fitted earphone and microphone on ebonite hand-grip, price, 4/6.

MINE EXPLODERS, or shot firing machines for blasting, etc., hand ratchet drive, complete in mahogany case, as new, with self-generating dynamo, price, 17/6. C/F.

G.A.Y. SHUNT WOUND DYNAMOS, 25 volts 8 amps., 1,750 r.p.m., 32/6. C/F.

G.E.C. SHUNT WOUND DYNAMOS, 50 volts 6 amps., 1,500 r.p.m., 30/- C/F.

CROMPTON SHUNT WOUND DYNAMO, 100 volts 4 amps., 1,750 r.p.m., 35/- C/F.

CROMPTON DYNAMO, 4-pole shunt wound, 1,750 r.p.m., 100 volts 10 amps., 70/-.

Ditto, 50/75 volts 15 amps., 75/- C/F.

MACKIE MOTOR GENERATOR, 220 volts 3.35 amps. D.C. input, 10 volts 30 amps. D.C. output, 37/6. C/F.

STANDARD TELEPHONE MAINS TRANSFORMERS, input 200/250 volts, output 250/0,250 volts 200 m/a., 3 x 4 volt windings and a 5-watt winding, 12/6 each.

MACKIE DOUBLE WOUND EX-R.A.F. GENERATORS, 1,200 volts 100 m/a. and 10 volts 4 amps., 3,000 r.p.m., 12/6 each. Carriage 1/6.


E.C.C. SHUNT WOUND DYNAMO, 100 volts 50 amps., 1,500 r.p.m., £6 10s. C/F.

STANDARD TELEPHONE CONDENSERS, 1 mf. 400 volt wkg., 4s. each, or 4 for 1/-; 2 mf. 400 v. wkg., 6d. each. Matched, 1 mf. 400 volt test, 2/- each. Philips 1 mf. 8,000 volt test, 5/- each. T.C.C., 2 mf. 1,000 volt test, 1/- each. T.C.C. 2,000 mf. 12 volt wkg., 2/- each.

INSTRUMENT WIRE ENAMEL. 4 lb. reels, 20 gauge, 7/6; 12 lb. reels, 16 gauge, 16/6, post 1/-.

CALIBRATED 80-OHM VARIABLE RESISTANCES, in teak case. Size 6 1/2 x 6 1/2 x 2 1/2 each, post 9d.

ENGINEERING OPPORTUNITIES



This unique Handbook shows the easy way to secure A.M.I.C.E.E., A.M.I. Mech. E., A.M.I.E.E., A.M.I.A.E., A.M.I.W.T., A.M.L.R.E., and similar qualifications. WE GUARANTEE—NO PASS—NO FEE. Details are given of over 150 Diploma Courses in all branches of Civil, Mech., Elec. Motor, Aero, Radio and Television Engineering, Building, Government Employment, etc. Write for this enlightening Handbook to-day. FREE and post free.

BRITISH INSTITUTE OF ENGINEERING TECHNOLOGY
367 Shakespeare House,
17, 18, 19 Stratford Place, London, W.1

LESLIE L. HIND, for 15 years in charge of the illustrating department of "The Wireless World" and "Wireless Engineer," owing to the present war seeks employment as COMMERCIAL ARTIST or DRAUGHTSMAN.

Write Box No. 8742, c/o "The Wireless World," Dorset House, Stamford Street, S.E.1.



Mains Transformers as specified for The Wireless World High Quality Communication Receiver Type WW51—45/-.

W. BRYAN SAVAGE LTD.
Westmoreland Rd., London, N.W.9. Phone Colindale 7131

THE BEST WAY TO LEARN MORSE

"MASTERS" INSTRUCTIONAL RECORDS

Prepared by an ex-R.A.F.V.R. Signal Instructor, these records contain messages at a speed from 2 to 15 words a minute. Details on Request.

Price 3/6 each or Complete Set of Three 9/-.

C. E. MASTERS,
Forest Way, Pound Hill, Crawley, Sussex.

SITUATIONS VACANT

AIR MINISTRY.

AERONAUTICAL INSPECTION DIRECTORATE.

VACANCIES Exist for Unestablished Appointments as Examiners in the W/T, Instrument and General Engineering Branches.

QUALIFICATIONS.

All Candidates Must Have Good General Education, be able to read drawings, understand specifications, use micrometers and other measuring instruments.

(A) Applicants for the Instrument Branch Must Have Knowledge of Physics and Training in Light Engineering or Instrument Making. Candidates with knowledge of optical instruments are also required.

(B) Applicants for the W/T. Branch Must Have Practical Knowledge of W/T. and Electrical Equipment with Technical Training in Radio Communication Equal to City and Guilds Final Examination Standard.

(C) Applicants for the General Engineering Branch Must Have Had Practical Experience in an Engineering Works. An elementary knowledge of materials testing is desirable.

APPLICATIONS From Candidates Previously Declared Unsuccessful Will be Considered Provided the Necessary Additional Experience Has Been Gained.

ACCEPTED Candidates Will Undergo a Period of Training in Inspection as Applied to the Above Subjects, not exceeding three months, and will be paid £3/10 weekly during training. Subsistence allowance of £1/5 weekly during training is payable to married men normally residing outside the training area. On successful completion of training, candidates will be appointed as Examiners at a salary of £246 (payable monthly in arrear) if service is satisfactory, and must be prepared to serve in any part of the United Kingdom and to fly as observers in connection with their duties.

NORMAL Age Limits 25 to 55.

CANDIDATES Should Indicate on Their Applications For Which Vacancy They Wish to be Considered—*a*, *b* or *c*.

APPLICATION Must Be Made on Form 786, copies of which can be obtained on application, by postcard only, to Inspector-in-Charge, A.I.D. Training School, Brandon Steep, Bristol, 1. [8771]

PATENT AND TRADE MARK AGENTS

GEE and Co. (H. T. P. Gee, Mem. R.S.G.B., etc.), 51-52, Chancery Lane, London, W.C.2. Holborn 4547-8. Handbook free. [0001]

THE IMPERIAL PATENT SERVICE.—Address during the war: 49, Great Thrift, Pettis Wood, Kent. Phone: Orpington 3993. Practical Hints on Patents free on request. Preliminary consultation in London free by appointment. [0481]

Masteradio
—MALLORY VIBRAPACKS
and MALLORY VIBRATORS

*for all Portable Power
Supply requirements.*

Output range from 300 volts at 100 m/a to 120 volts at 25 m/a.

Because Mallory are the World's largest manufacturers of electrical contacts, Mallory Vibrators represent the highest quality obtainable.

Technical data on application from sole concessionaires:

MASTERADIO LTD.
VIBRANT WORKS, 193, RICKMANSWORTH ROAD,
WATFORD, HERTS.
Telephone - - - - - Watford 9885

THE INSTITUTE OF WIRELESS TECHNOLOGY
(Founded in 1925. Incorporated)
PROFESSIONAL MEMBERSHIP
The advantages of professional membership are open to all qualified wireless engineers.
Full information, with syllabus, may be obtained from the Assistant Secretary, Institute of Wireless Technology, 25, Firs Drive, Palmers Green, London, N.13
Phone: PALMERS GREEN 2413

CLASSIFIED ADVERTISEMENTS
for FEBRUARY issue of
"THE WIRELESS WORLD"
must reach us by FIRST POST on
WEDNESDAY, JANUARY 10th.

PATENTS FOR SALE

IMPROVEMENTS in Portable Generators for Use with Radio Transmitting Units.—The Proprietors of Letters Patent No. 421861, relating to the above matter, are desirous of entering into negotiations for the sale of, or the issue of Licences under the Patent.

ENQUIRIES to:—Forrester, Ketley and Co., 88-90, Chancery Lane, London, W.C.2. [8781]

TECHNICAL TRAINING

IMPERIAL COLLEGE OF SCIENCE AND TECHNOLOGY.

SPECIAL COURSE IN

PRINCIPLES of Wireless and Television.

IT Is Proposed to Give a Special Full Time Day Course in the Above Subject in the Electrical Engineering Department of the City and Guilds College, starting on January 3rd, 1940, and lasting for about 12 weeks.

THE Numbers Will Be Limited to 30 and the Fee will be £20.

FULL Particulars Can Be Obtained From The Registrar, City and Guilds College, S.W.7. [8770]

BEST Wartime Training in Engineering is Home-study With The T.I.G.B.—free from black-out and travel difficulties. Write today for "The Engineer's Guide to Success"—free—containing the world's widest choice of engineering courses—over 200—covering all branches—and which alone gives the Regulations for A.M.Inst.C.E., A.M.I.Mech.E., A.M.I.E.E., A.F.R.Ae.S., A.M.I.A.E., M.I.M.T. C. & G., etc. The T.I.G.B. guarantees training until successful.

THE TECHNOLOGICAL INSTITUTE OF GREAT BRITAIN, 82, Temple Bar House, London, E.C.4 (Founded 1917; 20,000 Successes.) [8722]

TUITION

RADIO Training.—P.M.G. exams and I.E.E. Diploma; prospectus free.—Technical College, Hull. [0611]

PRACTICAL Postal Courses, radio television; test equipment design; I.P.R.E. and I.W.T. exams.—Write I.P.E., 3, Shirley Rd., London, W.4. [8838]

BUSINESS & PROPERTY FOR SALE, TO BE LET, OR WANTED

"THE Wireless and Electrical Trader" is an essential part of the equipment of every Wireless Trader; its pages reflect the very latest turn of trade events, and it is read by all the leading dealers and manufacturers, for particulars of businesses offered or wanted. By subscription to the trade only, 15/- per annum, post free.—Send your trade card for specimen copy to Dorset House, Stamford St., London; S.E.1 [0614]

INDEX TO ADVERTISEMENTS

	PAGE		PAGE		PAGE
Ambassador Radio Works	16	Fluxite, Ltd.	Edit. p. 111	Postlethwaite Bros.	17
Armstrong Manufacturing Co.	13	Galpin's Electrical Stores	18	Premier Radio	5
Automatic Coil Winder Co., Ltd.	1	General Electric Co., Ltd.	Inside Front Cover	Pye, Ltd.	12
Birmingham Radiomart G5N1	2	Goodmans Industries, Ltd.	12	R.M. Electric, Ltd.	2
British Institute of Engineering Technology	18	H.M.V.	Back Cover	Savage, W. Bryan, Ltd.	18
British Insulated Cables, Ltd.	Inside Back Cover	Heaver, Frank, Ltd.	18	Simmonds Aerocessories, Ltd.	3
British Mechanical Productions, Ltd.	17	Institute of Wireless Technology	19	Sound Sales, Ltd.	11
British Thomson-Houston Co., Ltd.	The Inside Back Cover	Linton, H. H., & Co.	2	Taylor Electrical Instruments, Ltd.	15
Bulgin, A. F., & Co., Ltd.	Edit. p. 113	"Listener"	6	Trix Electrical Co., Ltd. (The)	17
Candler System Co.	17	Lockwood & Co.	14	Voigt Patents, Ltd.	14
Chloride Electrical Storage Co., Ltd.	7	London Radio Supply Co.	14	Vortexion, Ltd.	Edit. p. 115
Cossor, A. C., Ltd.	8	Masteradio, Ltd.	19	Ward, C. F.	17
Denco	17	Masters, C. E.	18	Webb's Radio	4
Dubilier Condenser Co. (1925), Ltd.	10	McClure, Ltd.	4	Westinghouse Brake & Signal Co., Ltd.	4
Electradix Radios	15	M.R. Supplies	4		Inside Back Cover
Erskine Laboratories, Ltd.	7	Partridge, N.	15	Whiteley Electrical Radio	11
		Peto-Scott Co., Ltd.	9		

Printed in England for the Publishers, ILIFFE AND SONS LTD., Dorset House, Stamford Street, London, S.E.1, by THE CORNWALL PRESS LTD., Paris Garden, Stamford Street, London, S.E.1. "The Wireless World" can be obtained abroad from the following: FRANCE: W. H. Smith & Son, 248, Rue Rivoli, Paris; Hachette et Cie, Rue Réaumur, Paris, and branches; Messageries Dawson, 4, Rue de Faubourg Poissoniere, Paris. BELGIUM: W. H. Smith & Son, 74-75, Boulevard Adolphe Max, Brussels. AUSTRALIA: Gordon & Gotch, Ltd., Melbourne (Victoria), Sydney (N.S.W.), Brisbane (Queensland), Adelaide (S.A.), Perth (W.A.), and Launceston (Tasmania). NEW ZEALAND: Gordon & Gotch, Ltd., Wellington, Auckland, Christchurch and Dunedin. INDIA: A. H. Wheeler & Co., Bombay, Allahabad and Calcutta. CANADA: Imperial News Co., Toronto, Winnipeg and Vancouver; Benjamin News Co., Montreal; Gordon & Gotch, Ltd., Toronto. SOUTH AFRICA: Central News Agency, Ltd.; Wm. Dawson & Sons (S.A.), Ltd., Cape Town. UNITED STATES: The International News Co., New York.



**PUBLIC
ADDRESS
EQUIPMENT**

for
A.R.P.

in Workshops, Factories and all Industrial
or Municipal Undertakings

Send your enquiries to
SOUND REPRODUCER SALES—

BTH RUGBY

THE BRITISH THOMSON-HOUSTON COMPANY LIMITED. RUGBY, ENGLAND



AS1715

**B.I.
COPPER
EARTHING
RODS**

for
**WIRELESS
APPARATUS**

(U.K. Patent Nos.
438598, 433385, 430040.)



**100%
MORE
SURFACE
AREA**

Designed to give a low resistance earth contact. Made from solid drawn H.C. copper. The multiple fins ensure larger surface area and better contact with the earth than any driving earth of similar diameter and weight at present on the market; giving nearly 50 per cent. more contact area than a circular rod of equal diameter, or 100 per cent. more than a solid rod of equal weight. About 1 1/2" of the rod is left exposed and the earth lead is simply clamped against the rod by means of the copper clamp ring and screw. No sweating or soldering is required. Supplied in two standard sizes, 18" and 24". Longer rods of similar type can be supplied, if desired, to meet special requirements.

BRITISH INSULATED CABLES LTD.,
CABLE MAKERS AND ELECTRICAL ENGINEERS,
PRESCOT, LANCS. Tel. No. PRESCOT 6571

The
**Wireless
World
DIARY
for 1940**

Size 3 3/4 by 4 1/2 inches, 192 pages. Bound leather cloth, back loop with pencil.

**PRICE
1/6 net**

By post 1/7

From bookstalls and stationers or direct from the Publishers.

In addition to the usual daily spaces—one week at an opening—there is a list of the most important European Broadcasting Stations and Short-Wave Stations of the World; sections containing all the recognised codes relating to components; useful tables of resistance ratings; base connections of British and American valves; circuit diagrams of receivers, amplifiers, whistle suppressors, tone controls and AVC systems; data for winding coils, and the prevention of mains interference.

ILIFFE & SONS LTD.

Dorset House, Stamford Street, London, S.E.1



The great mechanical strength, outstanding reliability and high efficiency of the 'Westinghouse Metal Rectifier' makes it indispensable to all discriminating constructors. It is not easily broken . . . It lasts for years and years.

There is a unit to suit every possible wireless need. "The All Metal Way" describes them all, and contains many circuits. The attached coupon will bring you a copy.

Westinghouse

Westinghouse Brake & Signal Co. Ltd., Pew Hill House, Chippenham, Wilts
I enclose 3d. In stamps. Please send me "The All Metal Way."

Name

Address

W.W. 140

95 h m



Unchallengeable Supremacy IN SHORT-WAVE RECEPTION

Short-wave radio enthusiasts should take an early opportunity of hearing "H.M.V." Model 1200 demonstrated. Its superb tonal realism and outstanding performance proclaim "His Master's Voice" supremacy in high quality reproduction. Push-button control of selected stations and waveband is allied with end control manual tuning, of particular value when making accurate loggings for short-wave listening. Its distinctive appearance and large scale will take your eye.

"HIS MASTER'S VOICE" radio



MODEL 1200. 3 waveband, 7-valve superhet with 10.5 watts output. It has push-button control of wavebands and 8 stations, motor operated with accurate AFC. A fluid light and Vernier scale make manual tuning exact and simple. Provision for connecting extra loudspeakers and gramophone pick-up. **21 GNS.**